

PLEASE MARK DESIRED LOCATION OF OPTIONS
 SHOWN IN LEGEND ON FLOOR PLAN

PR3 448

DESCRIPTION

SYMBOL

DESIGNATION

WINDOW PANEL

=



=

W/P

SLIDING WINDOW
 PANEL

=



=

SW/P

SOLID PANEL

=

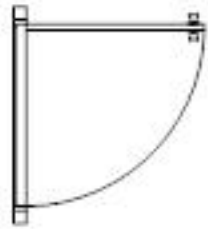


=

S/P

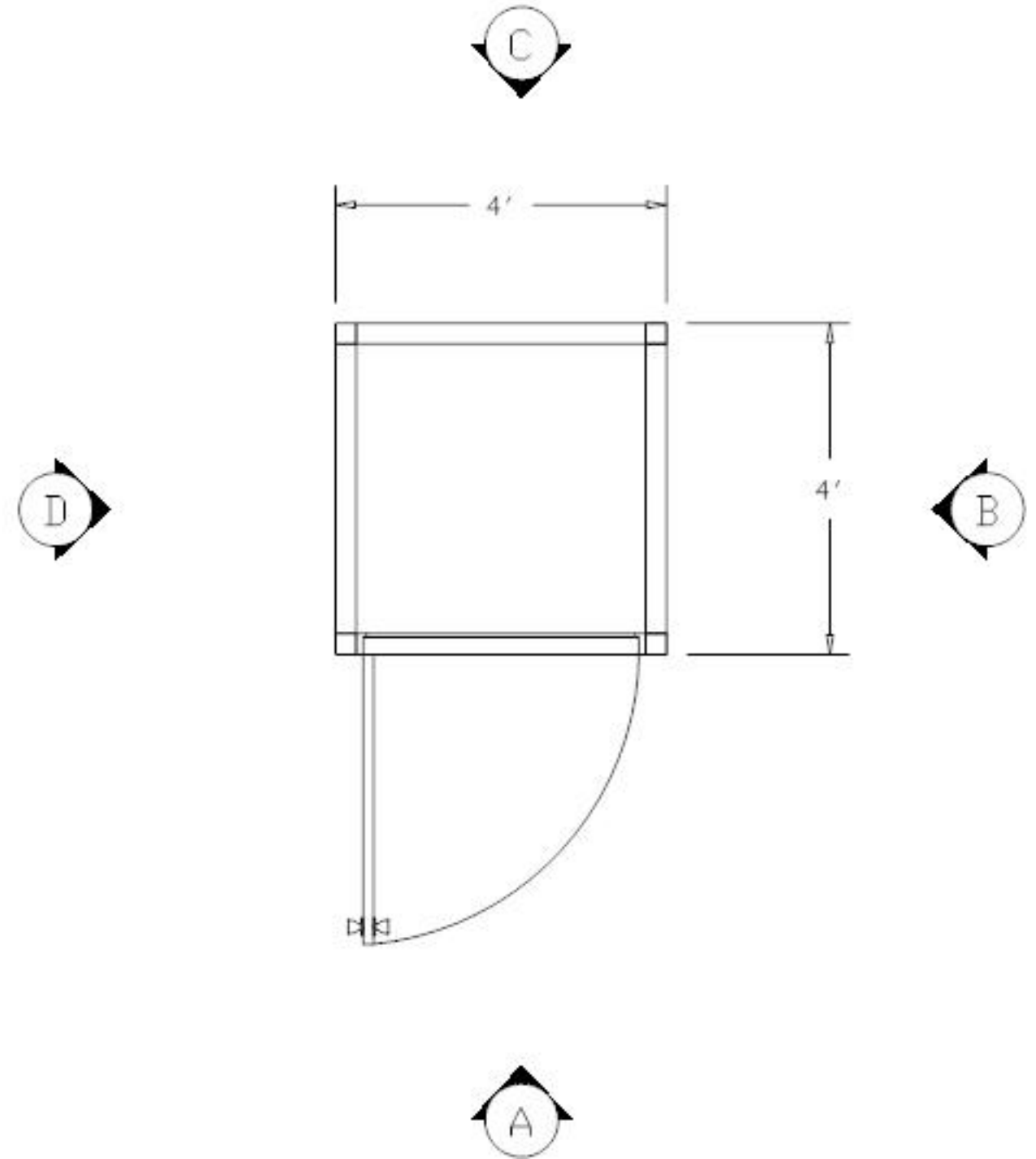
42" X 80" DOOR
 W/ 2' X 2'
 WINDOW

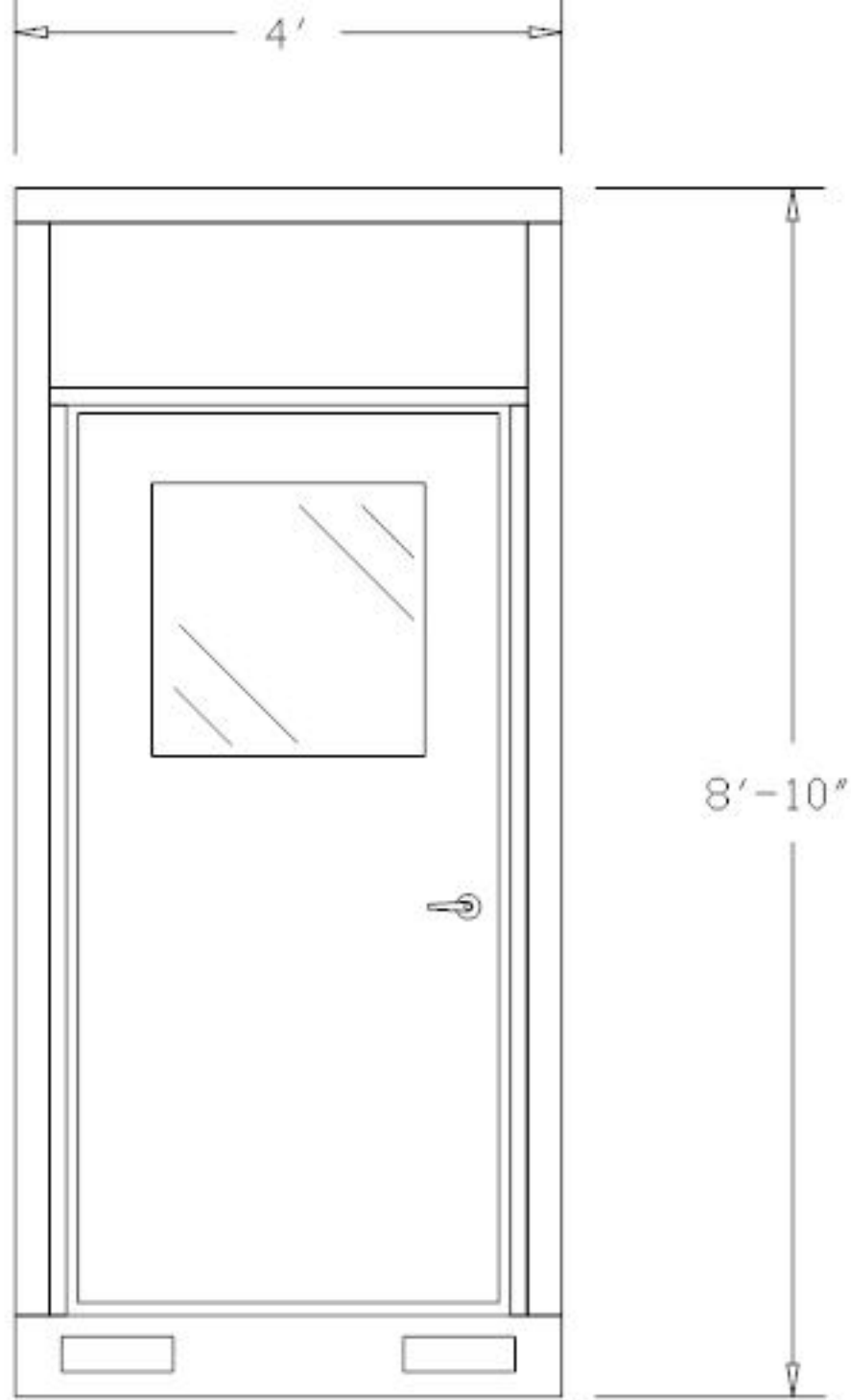
=



=

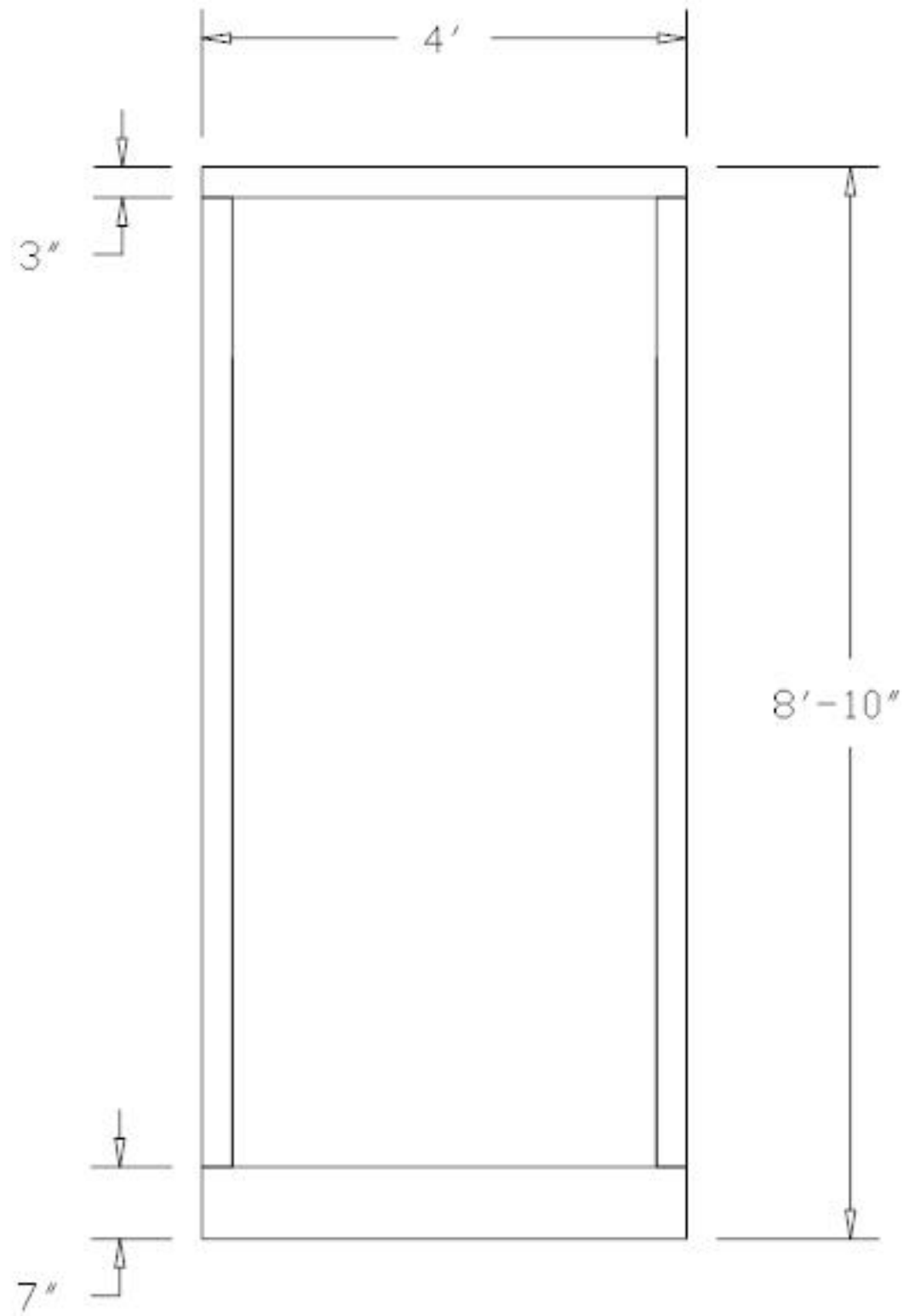
D/L





"A" ELEVATION

PR3 448



"B" ELEVATION

PLEASE MARK DESIRED LOCATION OF OPTIONS

SHOWN IN LEGEND ON FLOOR PLAN

PR3 448

DESCRIPTION

SYMBOL

DESIGNATION

6" OR 12"
ROOF OVER-
HANG

=

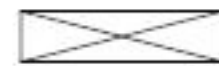


=

O/H(SIZE)

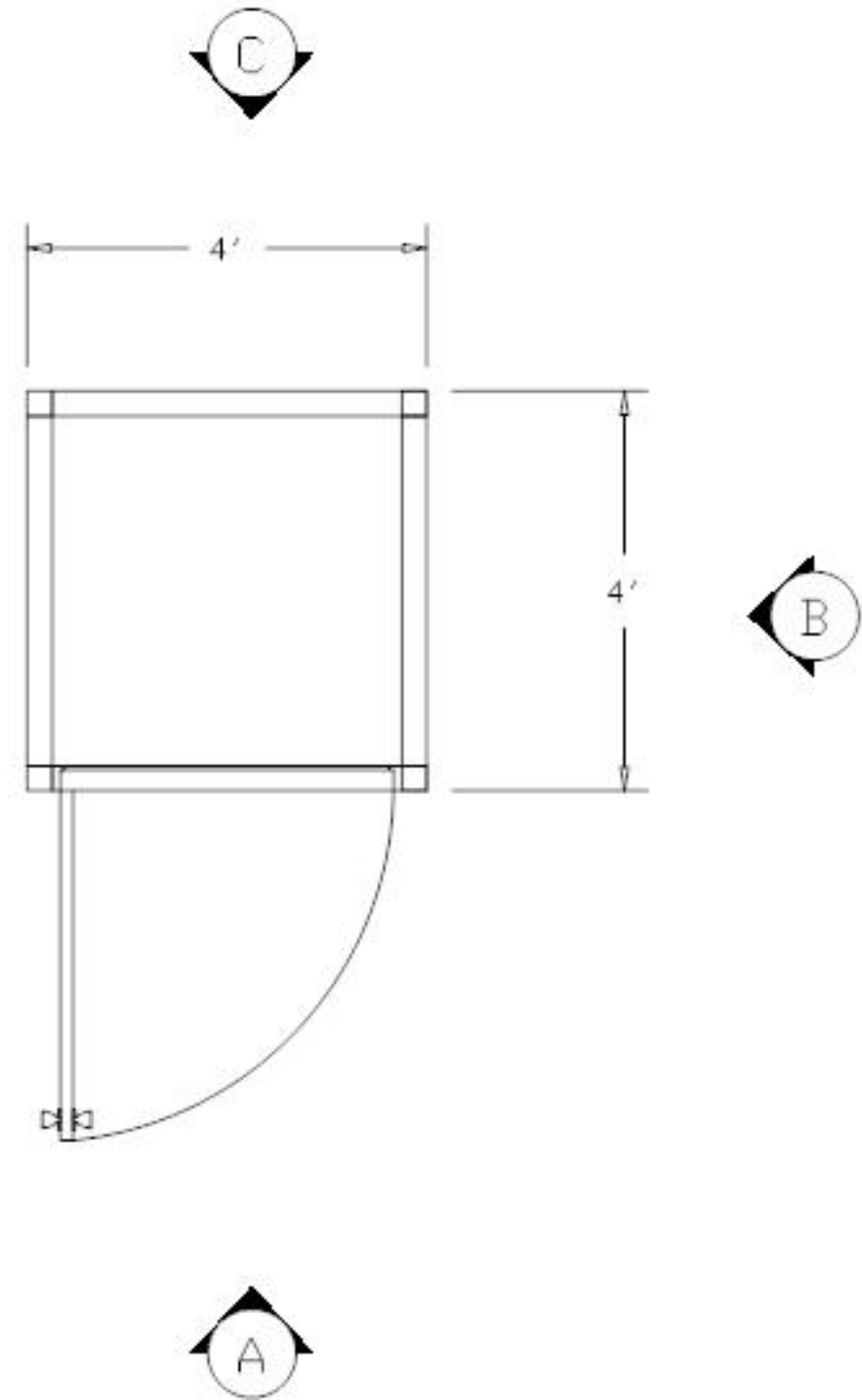
TYP. 2' 2-TUBE
SURFACE MOUNT
LIGHT FIXTURE

=




=

L/F



PLEASE MARK DESIRED LOCATION OF OPTIONS
 SHOWN IN LEGEND ON FLOOR PLAN
 PR3 448

<u>DESCRIPTION</u>		<u>SYMBOL</u>		<u>DESIGNATION</u>
120V DUPLEX OUTLET	=	⌀	=	⌀
LIGHT SWITCH	=	\$	=	\$
MAIN PANEL	=	PNL	=	PNL
TYP. 2' 2-TUBE SURFACE MOUNT LIGHT FIXTURE	=		=	L/F
THRU WALL HVAC UNIT	=	HVAC	=	HVAC

