


PLEASE MARK DESIRED LOCATION OF OPTIONS
 SHOWN IN LEGEND ON FLOOR PLAN
 PR3 488

DESCRIPTION


SYMBOL

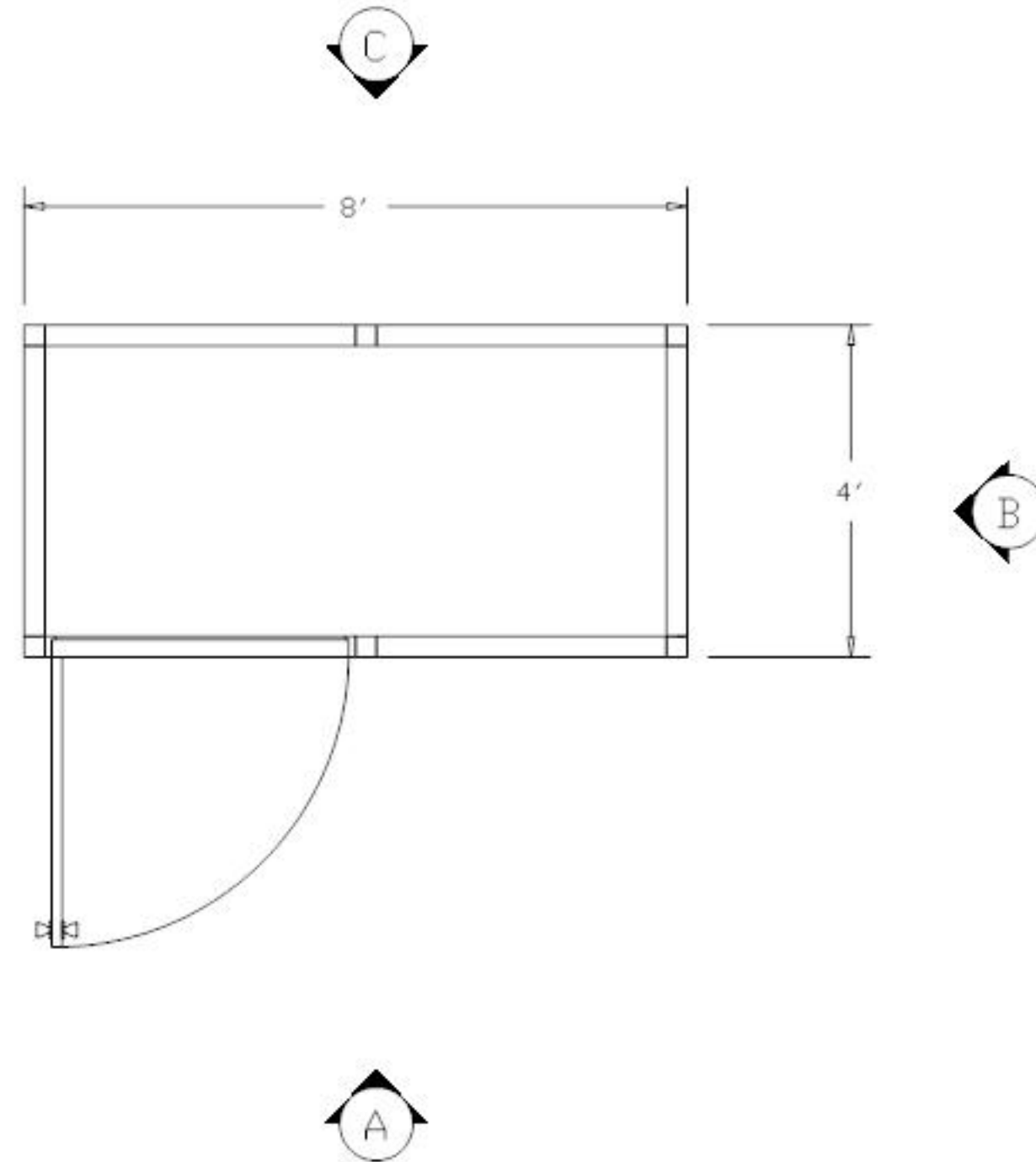
DESIGNATION

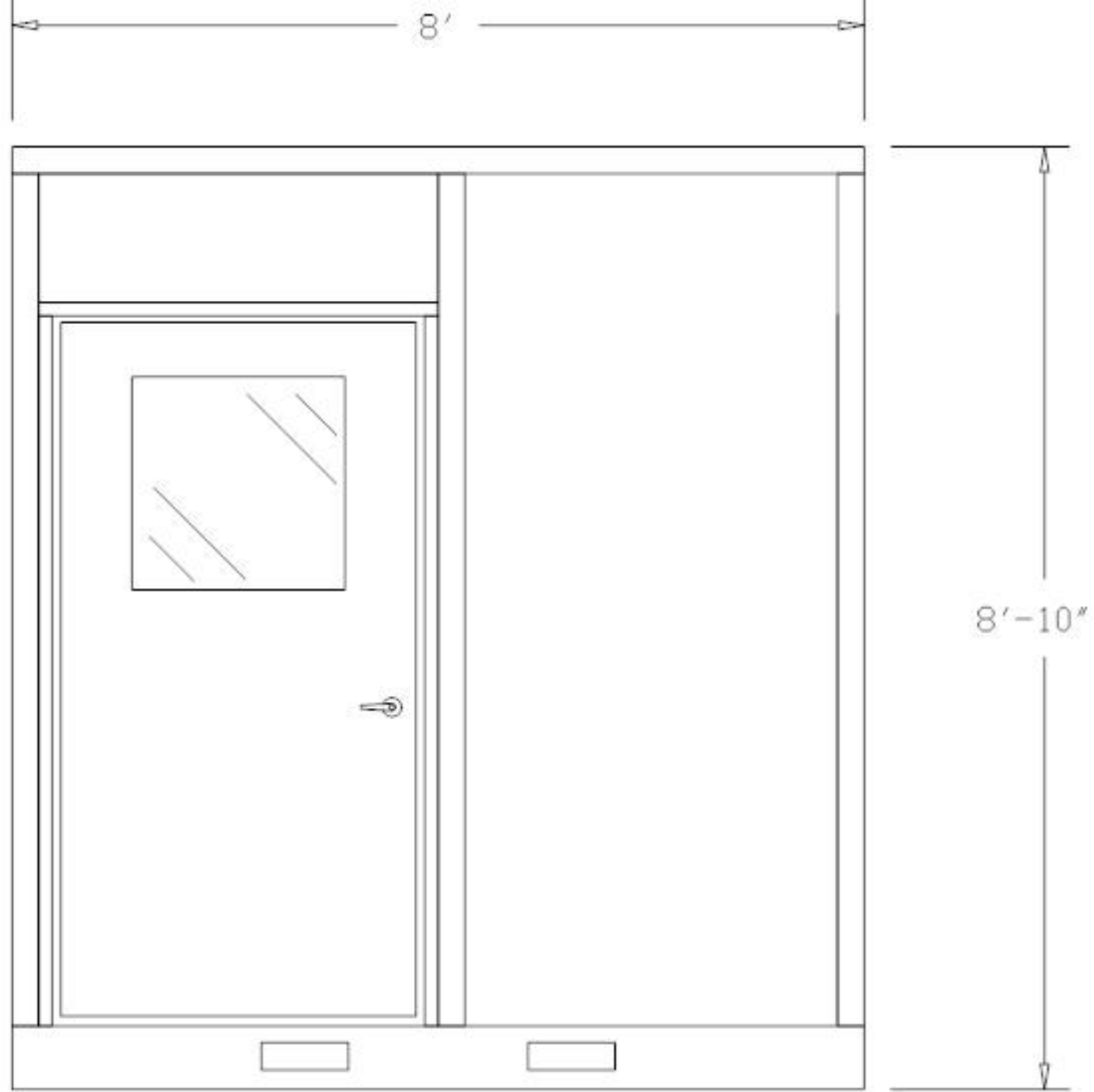
WINDOW PANEL =  = W/P

SLIDING WINDOW PANEL =  = SW/P

SOLID PANEL =  = S/P

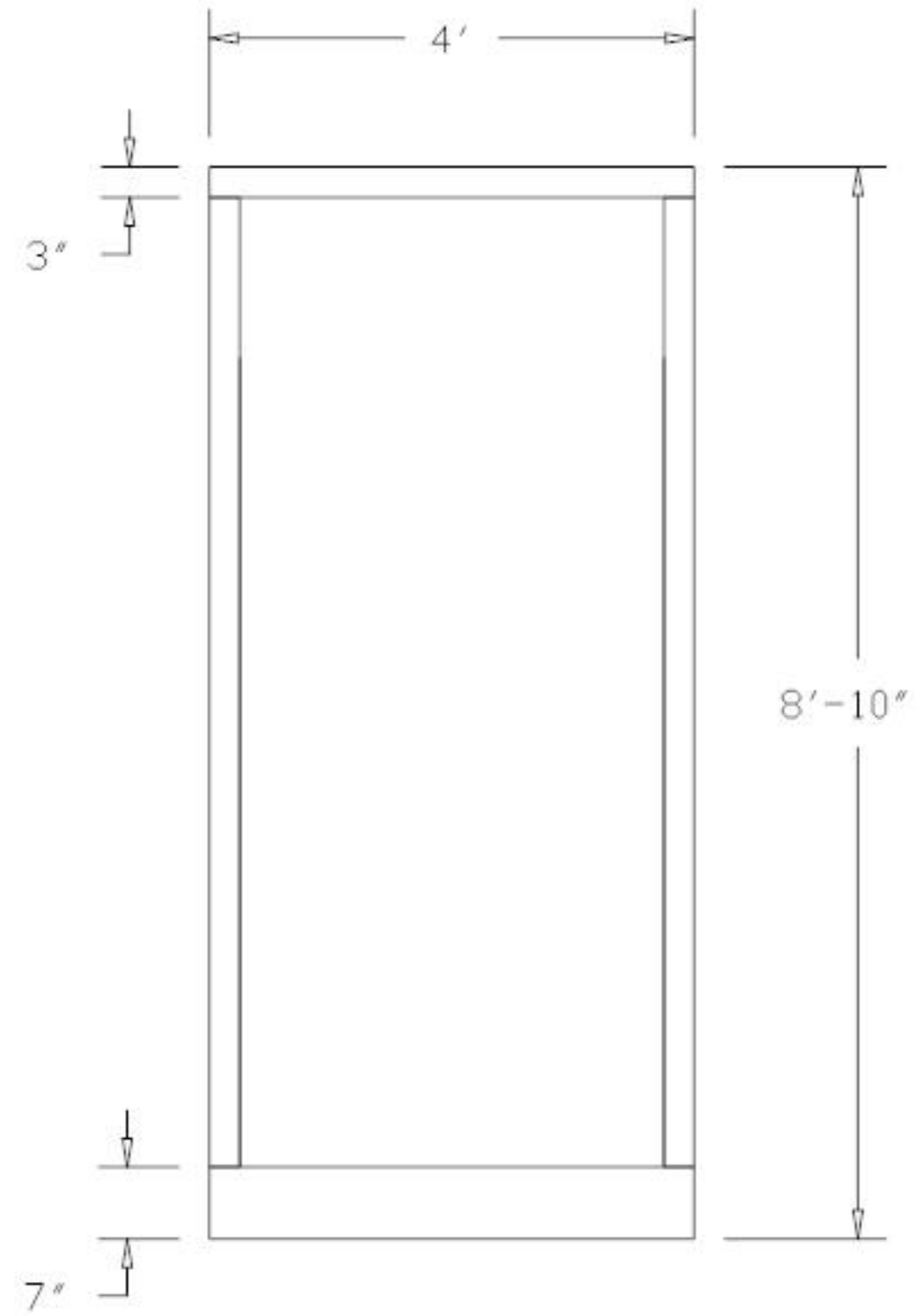
42" X 80" DOOR
 W/ 2' X 2'
 WINDOW =  = D/L





"A" ELEVATION

PR3 488



"B" ELEVATION

PLEASE MARK DESIRED LOCATION OF OPTIONS
 SHOWN IN LEGEND ON FLOOR PLAN

PR3 488

DESCRIPTION

SYMBOL

DESIGNATION

6" OR 12"
 ROOF OVER-
 HANG

=

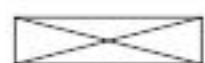


=

□/□(SIZE)

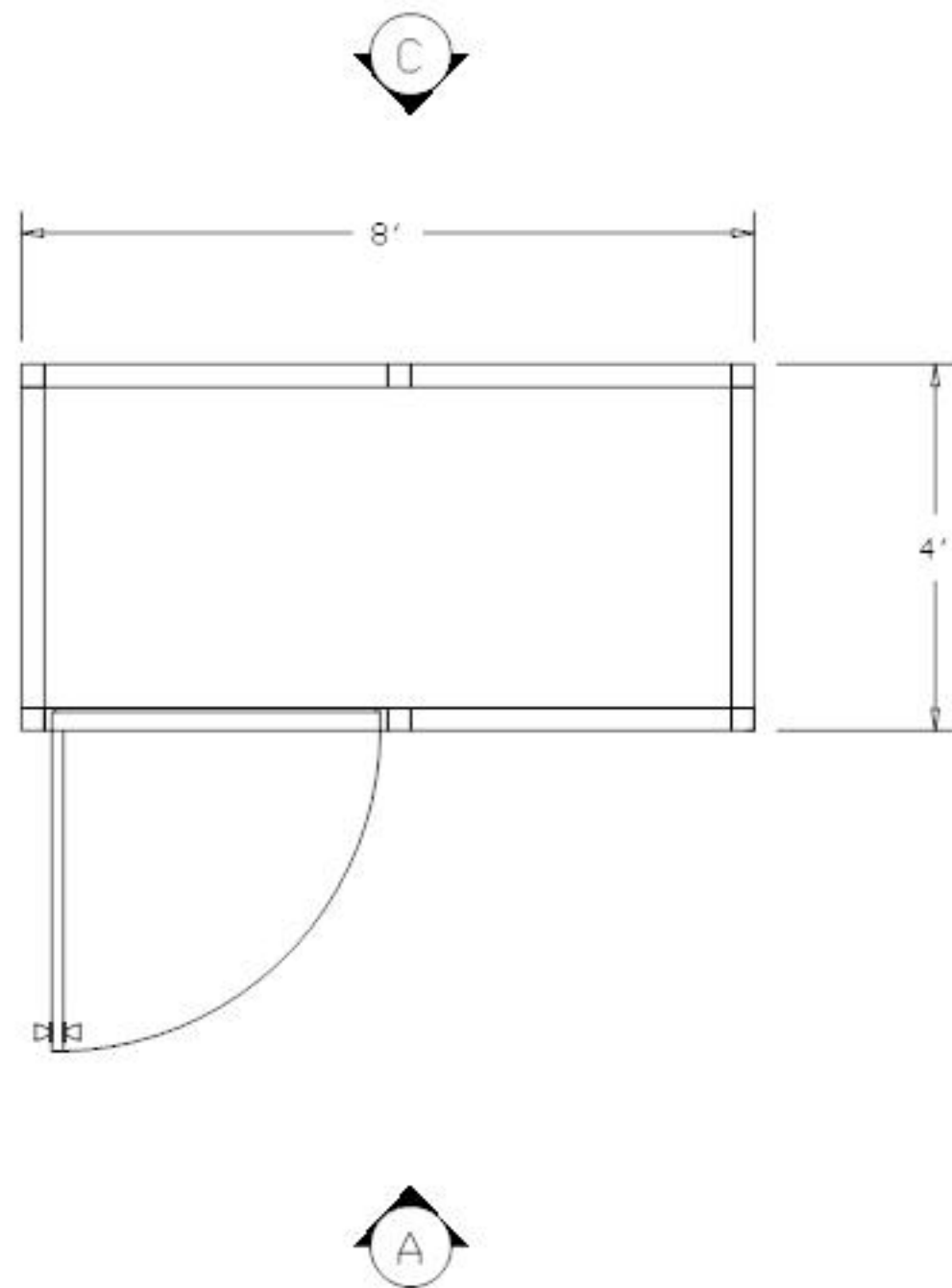
TYP. 2' 2-TUBE
 SURFACE MOUNT
 LIGHT FIXTURE

=

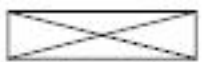


=

L/F



PLEASE MARK DESIRED LOCATION OF OPTIONS
 SHOWN IN LEGEND ON FLOOR PLAN
 PR3 488

<u>DESCRIPTION</u>	<u>SYMBOL</u>	<u>DESIGNATION</u>
120V DUPLEX OUTLET	⌀	⌀
LIGHT SWITCH	\$	\$
MAIN PANEL	PNL	PNL
TYP. 2' 2-TUBE SURFACE MOUNT LIGHT FIXTURE		L/F
THRU WALL HVAC UNIT	HVAC	HVAC

