

PLEASE MARK DESIRED LOCATION OF OPTIONS
 SHOWN IN LEGEND ON FLOOR PLAN

PR3 6108

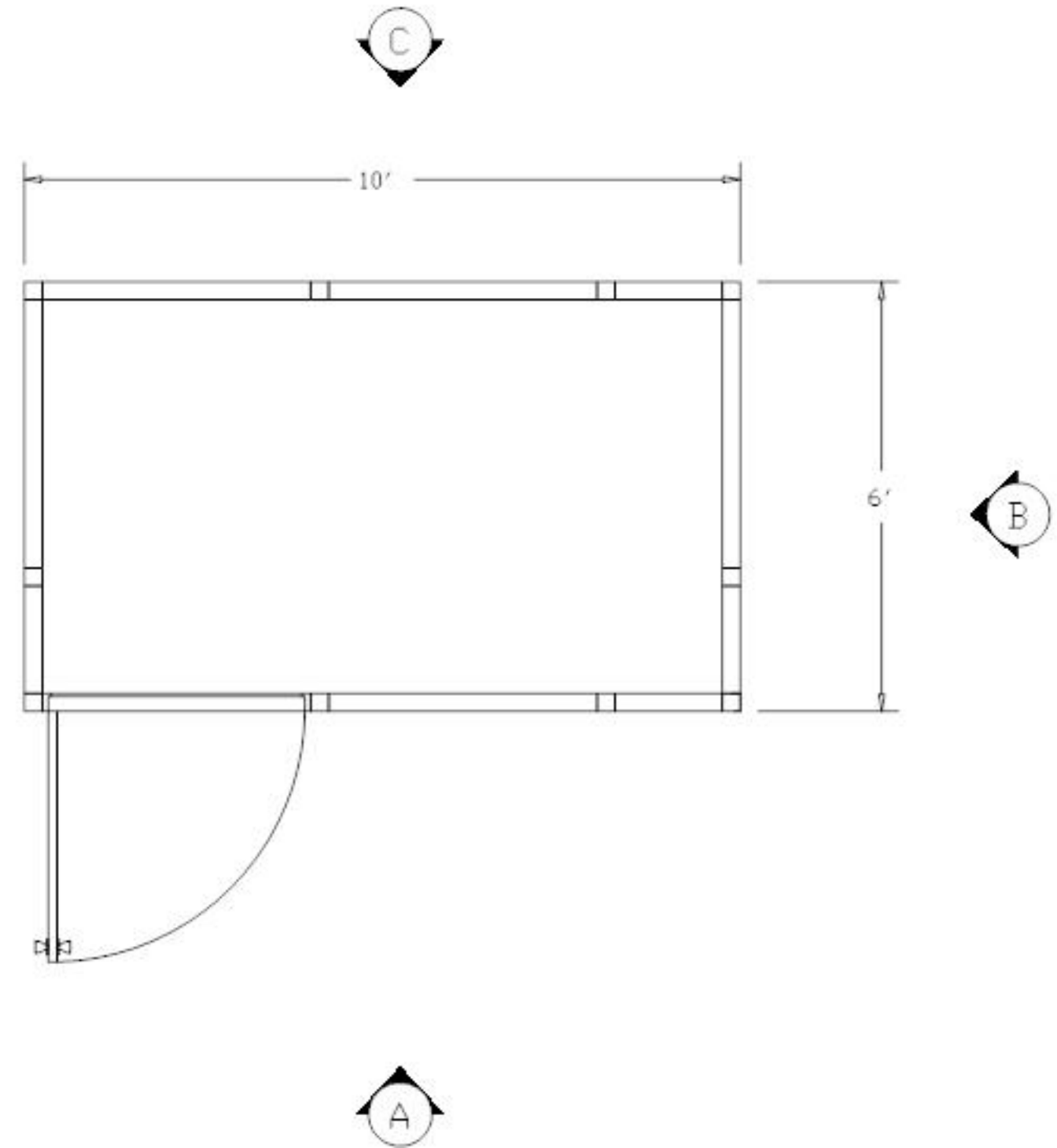
<u>DESCRIPTION</u>	<u>SYMBOL</u>	<u>DESIGNATION</u>
--------------------	---------------	--------------------

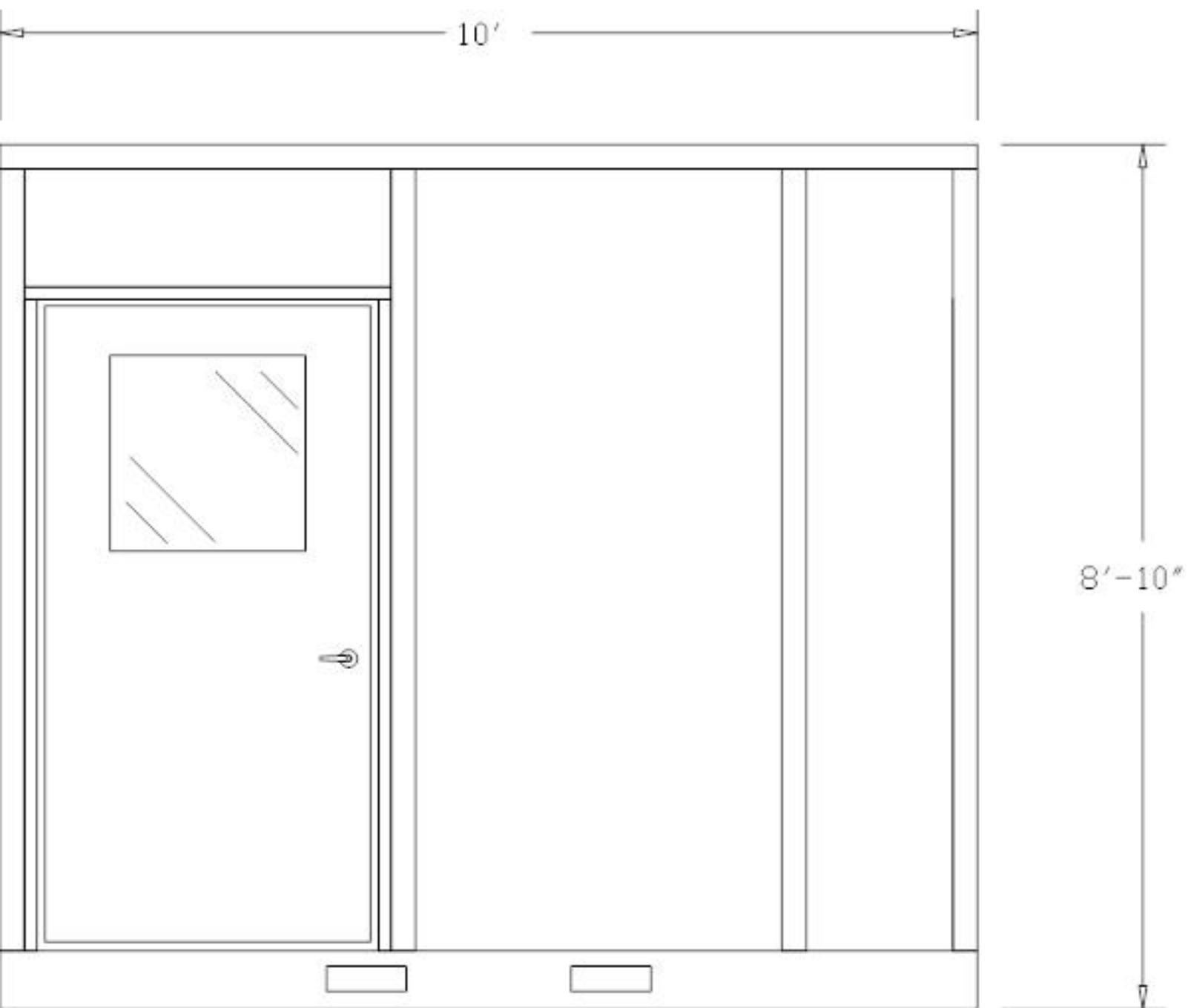
WINDOW PANEL =		= W/P
----------------	---	-------

SLIDING WINDOW PANEL =		= SW/P
------------------------	---	--------

SOLID PANEL =		= S/P
---------------	---	-------

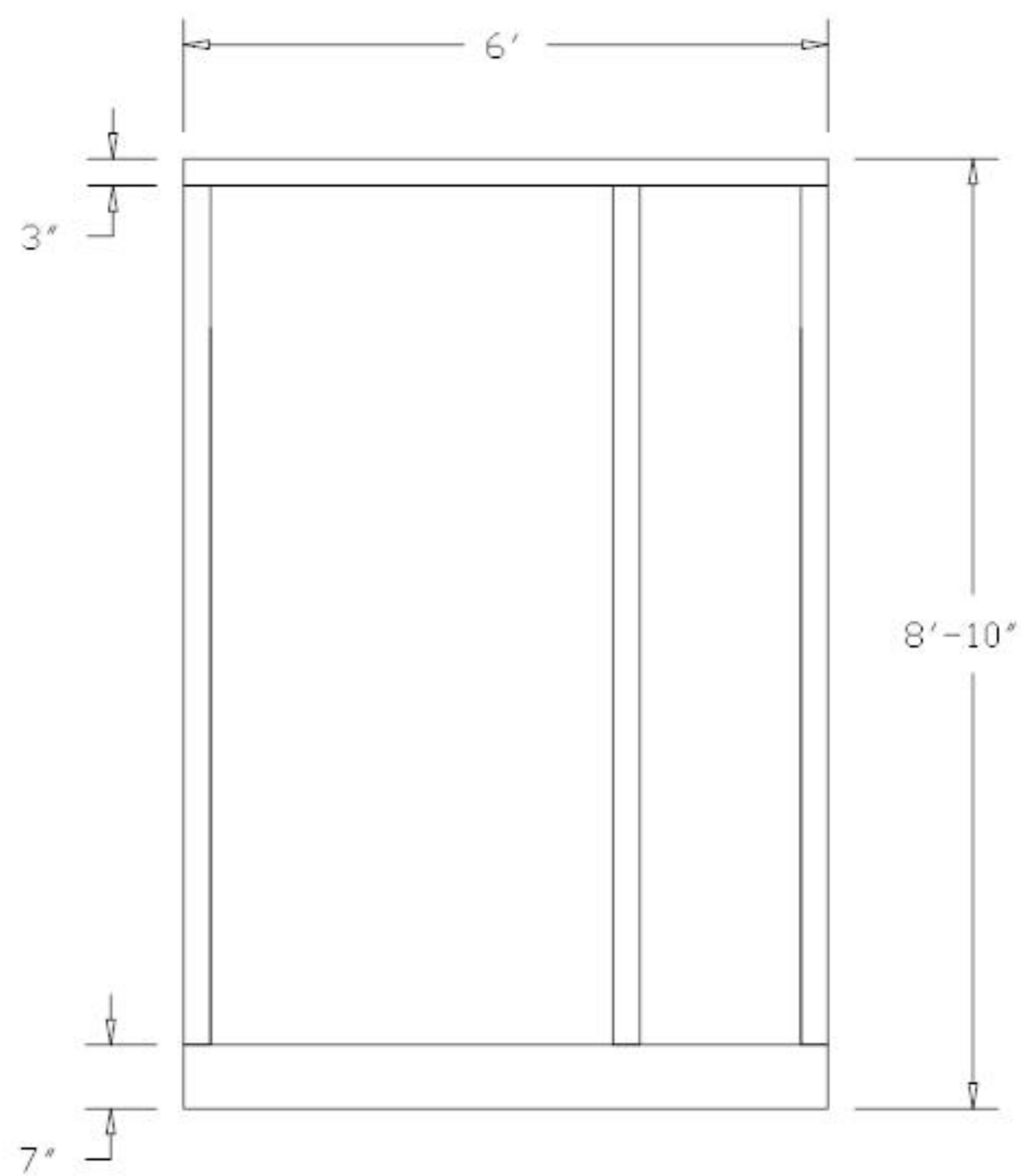
42" X 80" DOOR W/ 2' X 2' WINDOW		= D/L
--	--	-------





"A" ELEVATION

PR3 6108



"B" ELEVATION

PLEASE MARK DESIRED LOCATION OF OPTIONS
 SHOWN IN LEGEND ON FLOOR PLAN
 PR3 6108

DESCRIPTION

SYMBOL

DESIGNATION

6" OR 12"
 ROOF OVER-
 HANG

=

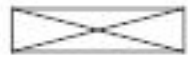


=

□/□(SIZE)

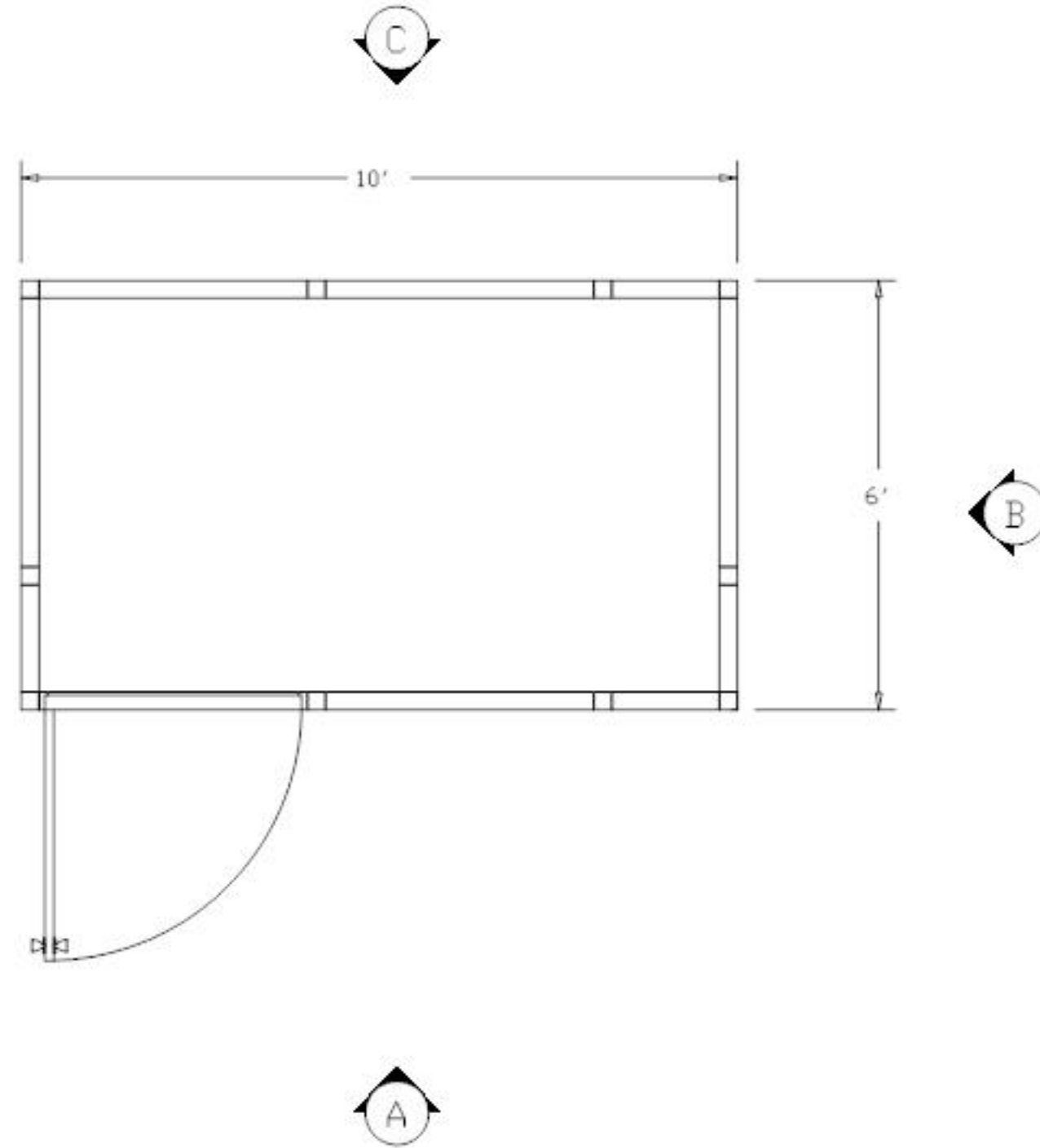
TYP. 2' 2-TUBE
 SURFACE MOUNT
 LIGHT FIXTURE

=



=

L/F



PLEASE MARK DESIRED LOCATION OF OPTIONS
 SHOWN IN LEGEND ON FLOOR PLAN
 PR3 6108

<u>DESCRIPTION</u>	<u>SYMBOL</u>	<u>DESIGNATION</u>
120V DUPLEX OUTLET	= ∅ =	∅
LIGHT SWITCH	= \$ =	\$
MAIN PANEL	= [PNL] =	[PNL]
TYP. 2' 2-TUBE SURFACE MOUNT LIGHT FIXTURE	= [X] =	L/F
THRU WALL HVAC UNIT	= [HVAC] =	[HVAC]

