

PLEASE MARK DESIRED LOCATION OF OPTIONS

SHOWN IN LEGEND ON FLOOR PLAN

PR3 6128

DESCRIPTION

SYMBOL

DESIGNATION

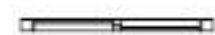
WINDOW PANEL =



=

W/P

SLIDING WINDOW
PANEL =



=

SW/P

SOLID PANEL =



=

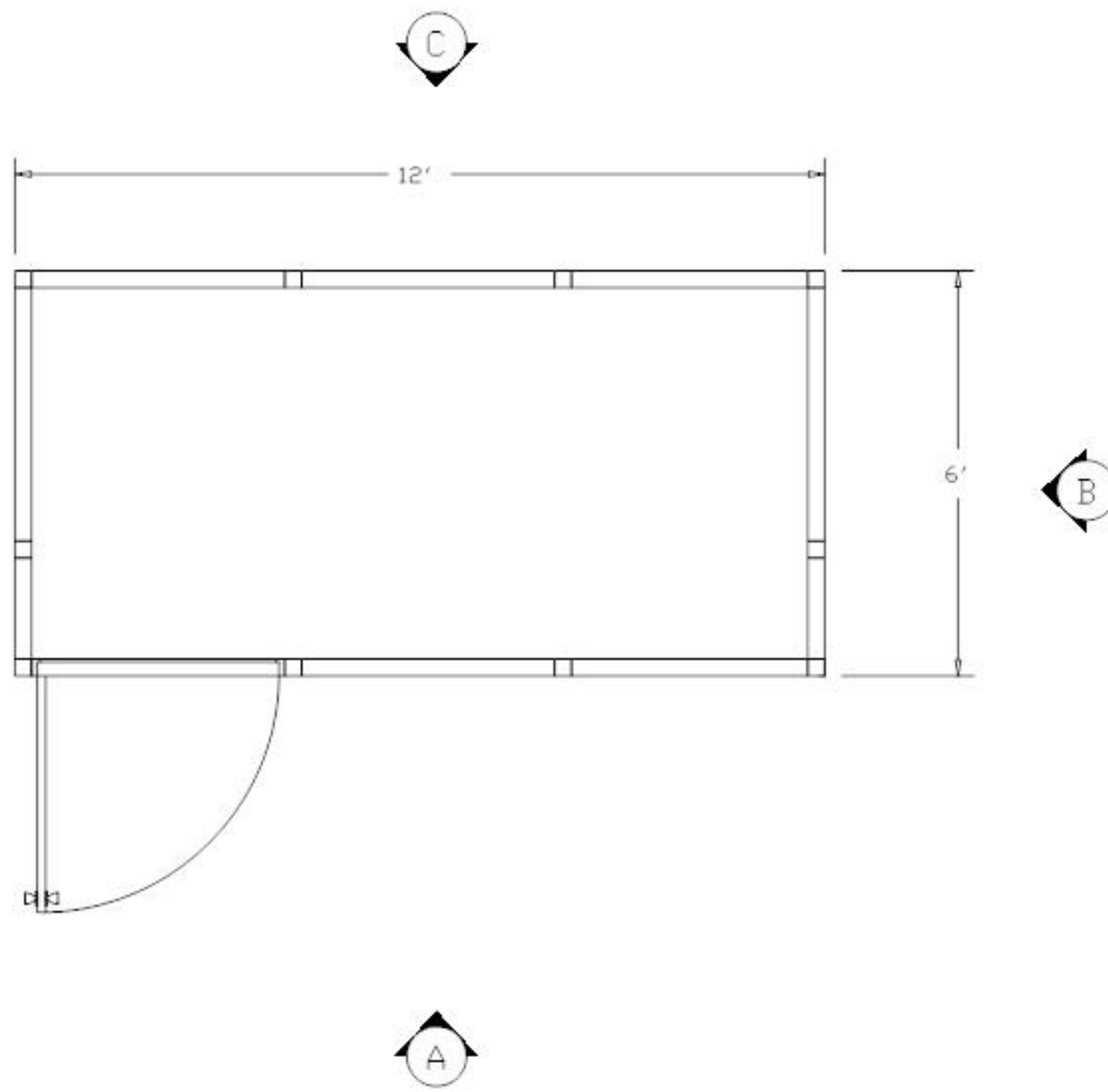
S/P

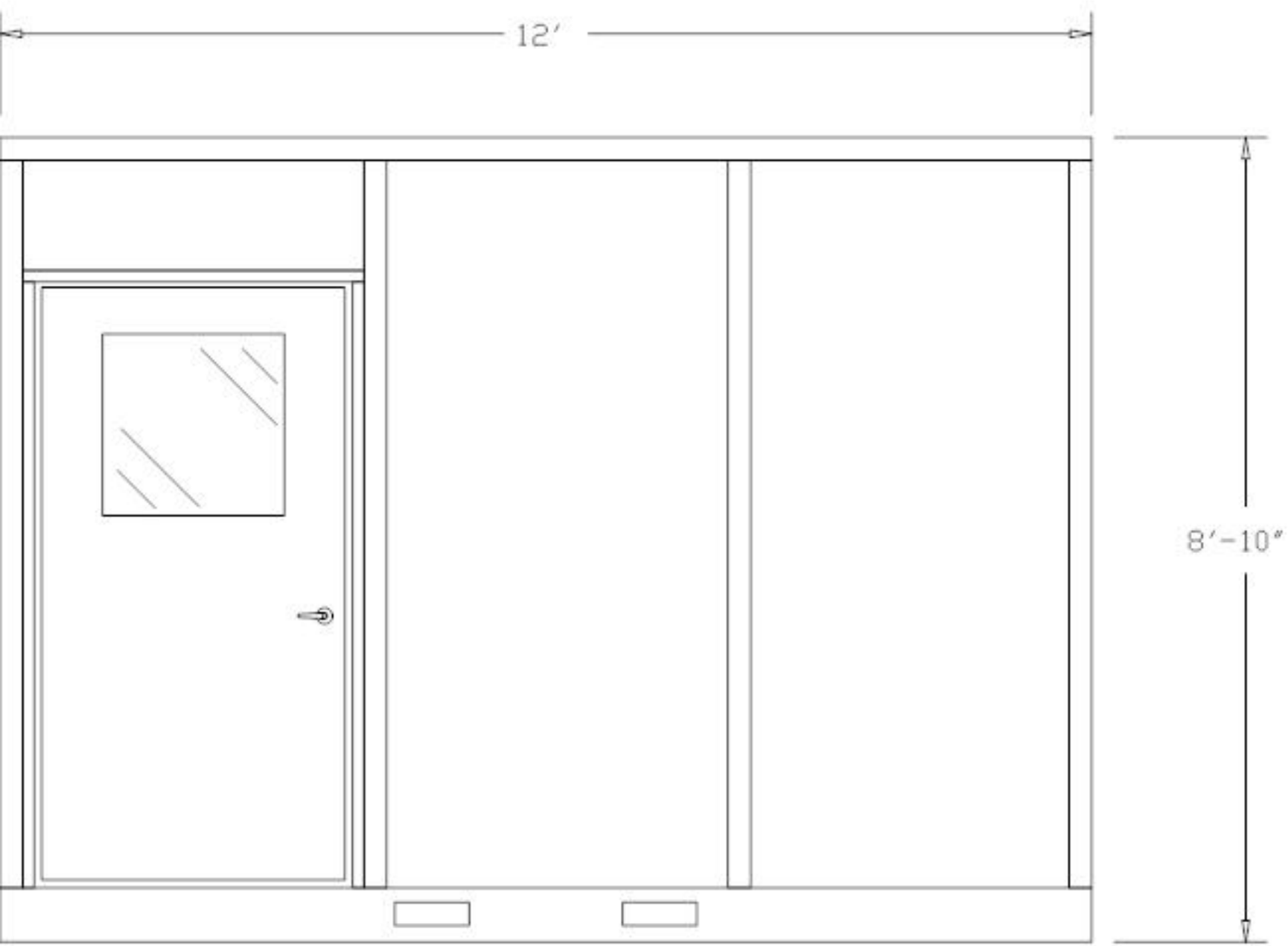
42" X 80" DOOR
W/ 2' X 2'
WINDOW =



=

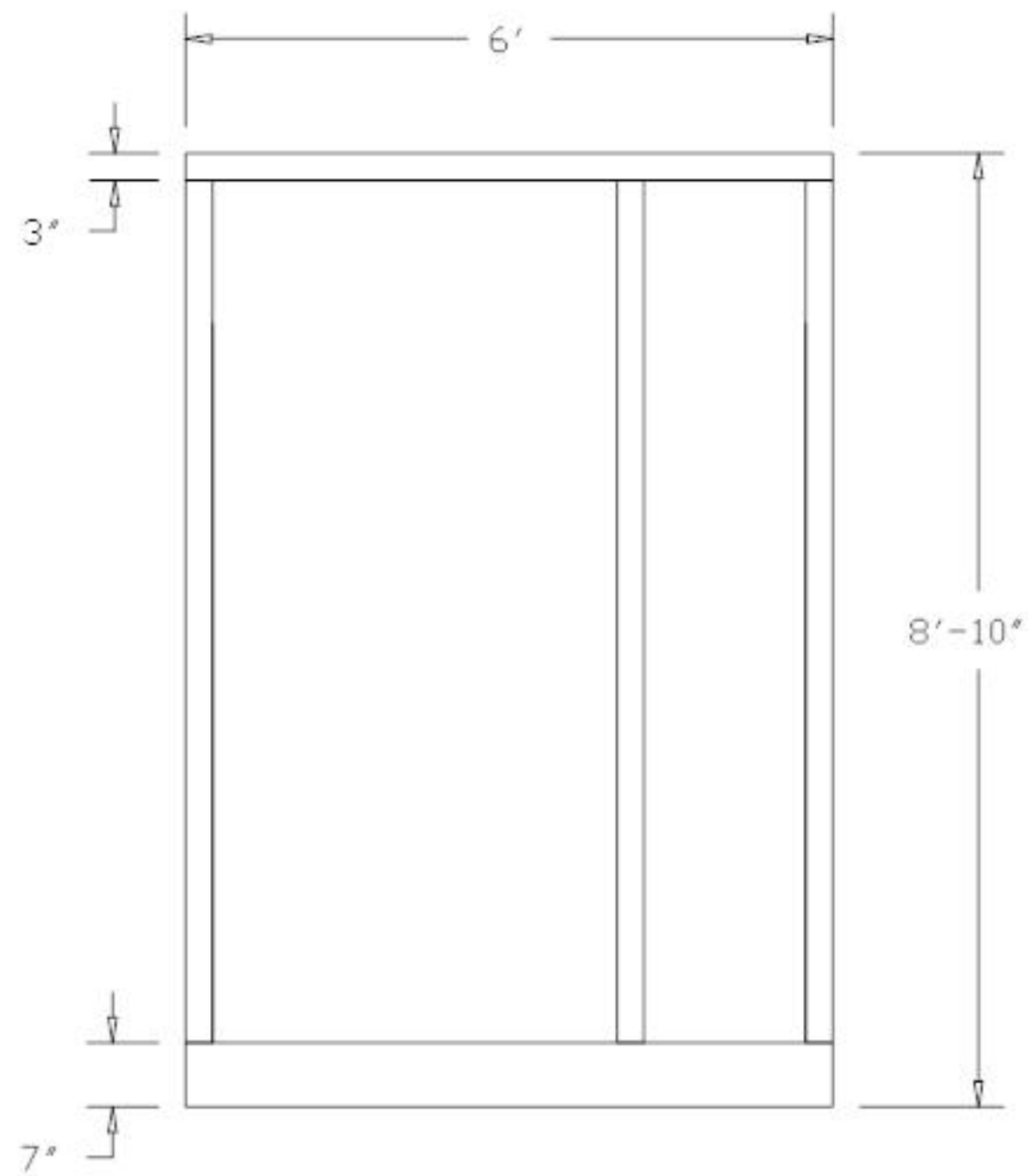
D/L





"A" ELEVATION

PR3 6128



"B" ELEVATION

PLEASE MARK DESIRED LOCATION OF OPTIONS
 SHOWN IN LEGEND ON FLOOR PLAN
 PR3 6128

DESCRIPTION

SYMBOL

DESIGNATION

6" OR 12"
 ROOF OVER-
 HANG

=

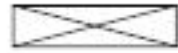


=

O/H(SIZE)

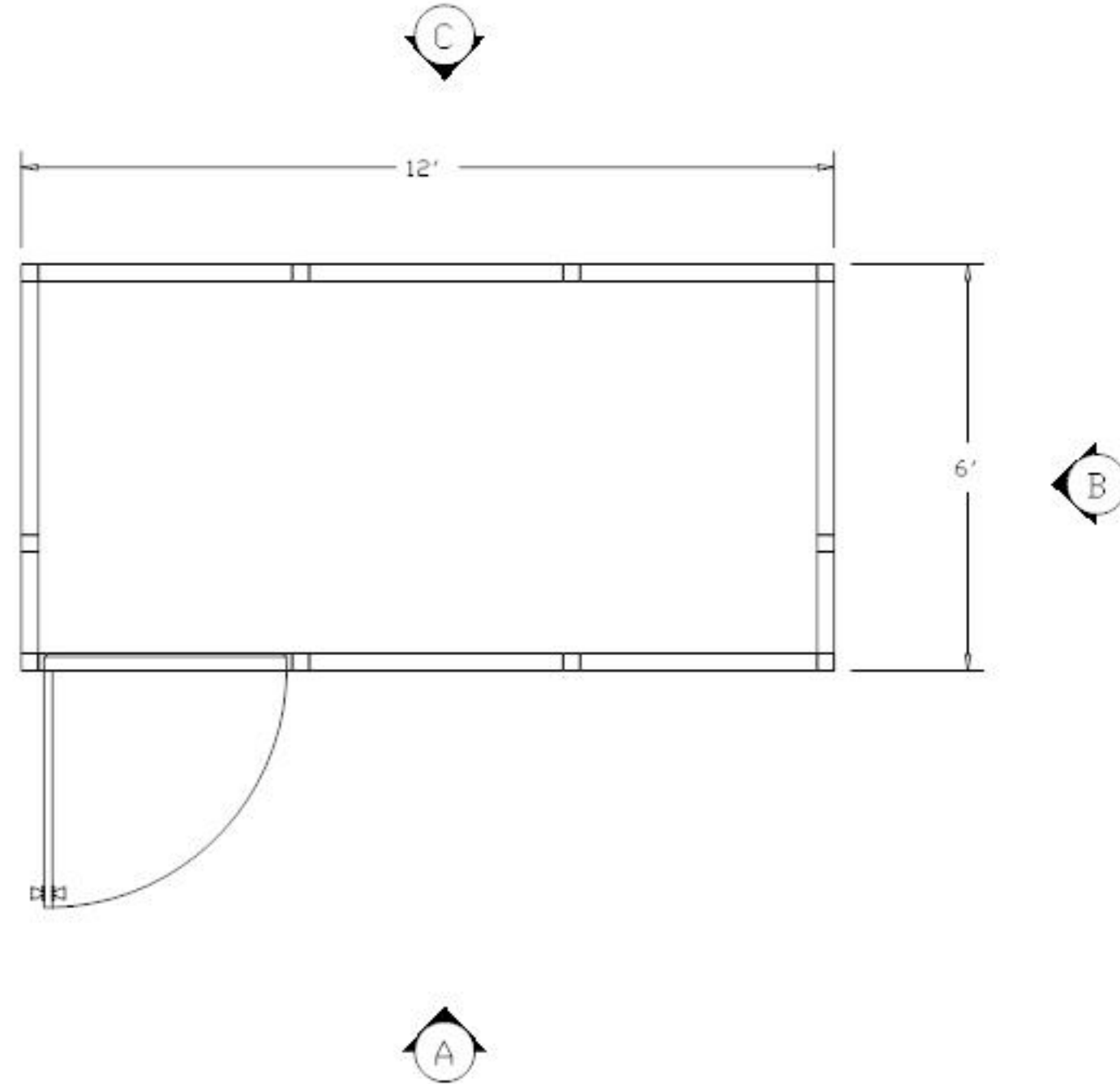
TYP. 2' 2-TUBE
 SURFACE MOUNT
 LIGHT FIXTURE

=



=

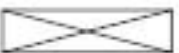
L/F



PLEASE MARK DESIRED LOCATION OF OPTIONS

SHOWN IN LEGEND ON FLOOR PLAN

PR3 6128

<u>DESCRIPTION</u>	<u>SYMBOL</u>	<u>DESIGNATION</u>
120V DUPLEX OUTLET	= ∅ =	∅
LIGHT SWITCH	= \$ =	\$
MAIN PANEL	= PNL =	PNL
TYP. 2' 2-TUBE SURFACE MOUNT LIGHT FIXTURE	=  =	L/F
THRU WALL HVAC UNIT	= HVAC =	HVAC

