

PLEASE MARK DESIRED LOCATION OF OPTIONS

SHOWN IN LEGEND ON FLOOR PLAN

PR3 8108

DESCRIPTION

SYMBOL

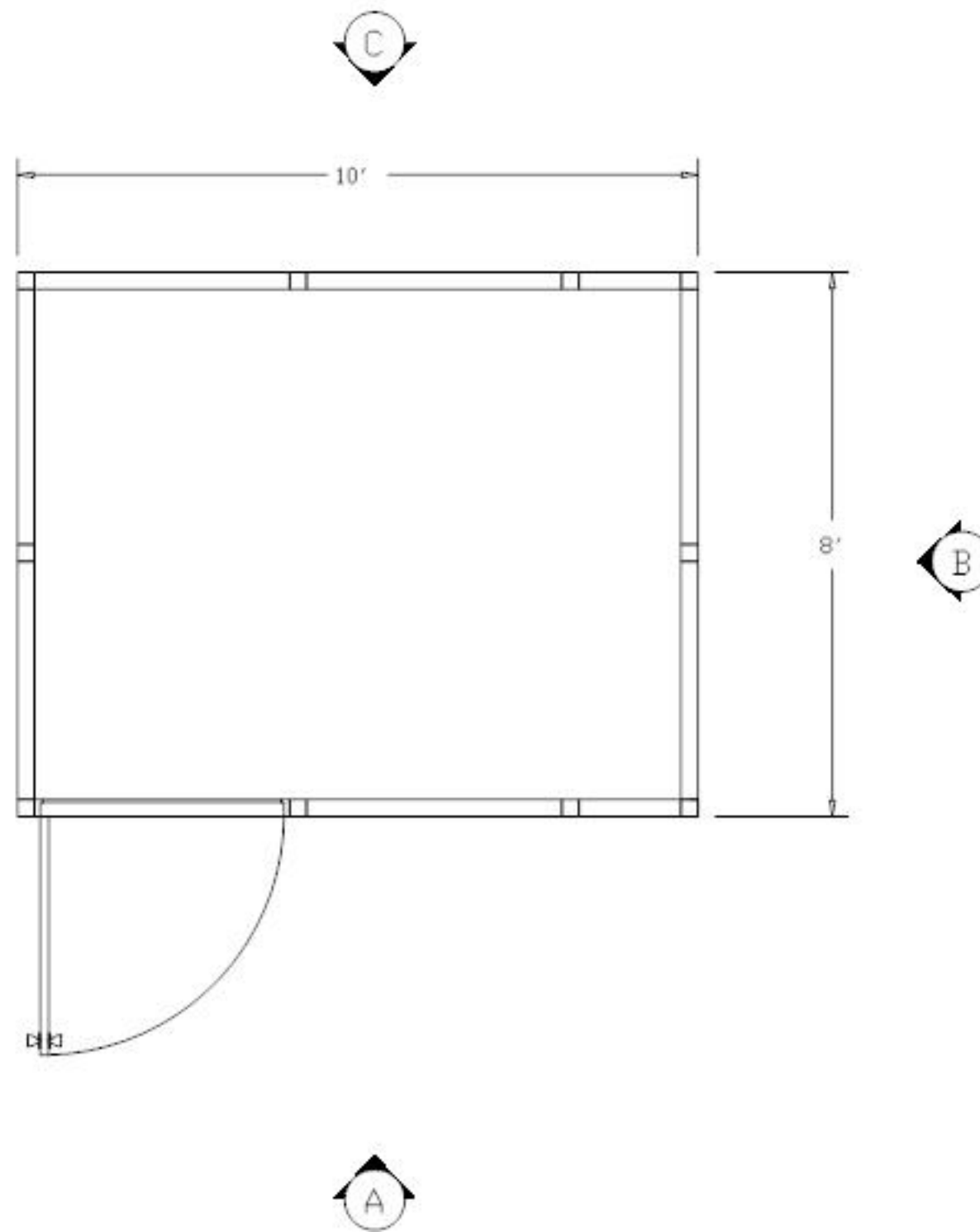
DESIGNATION

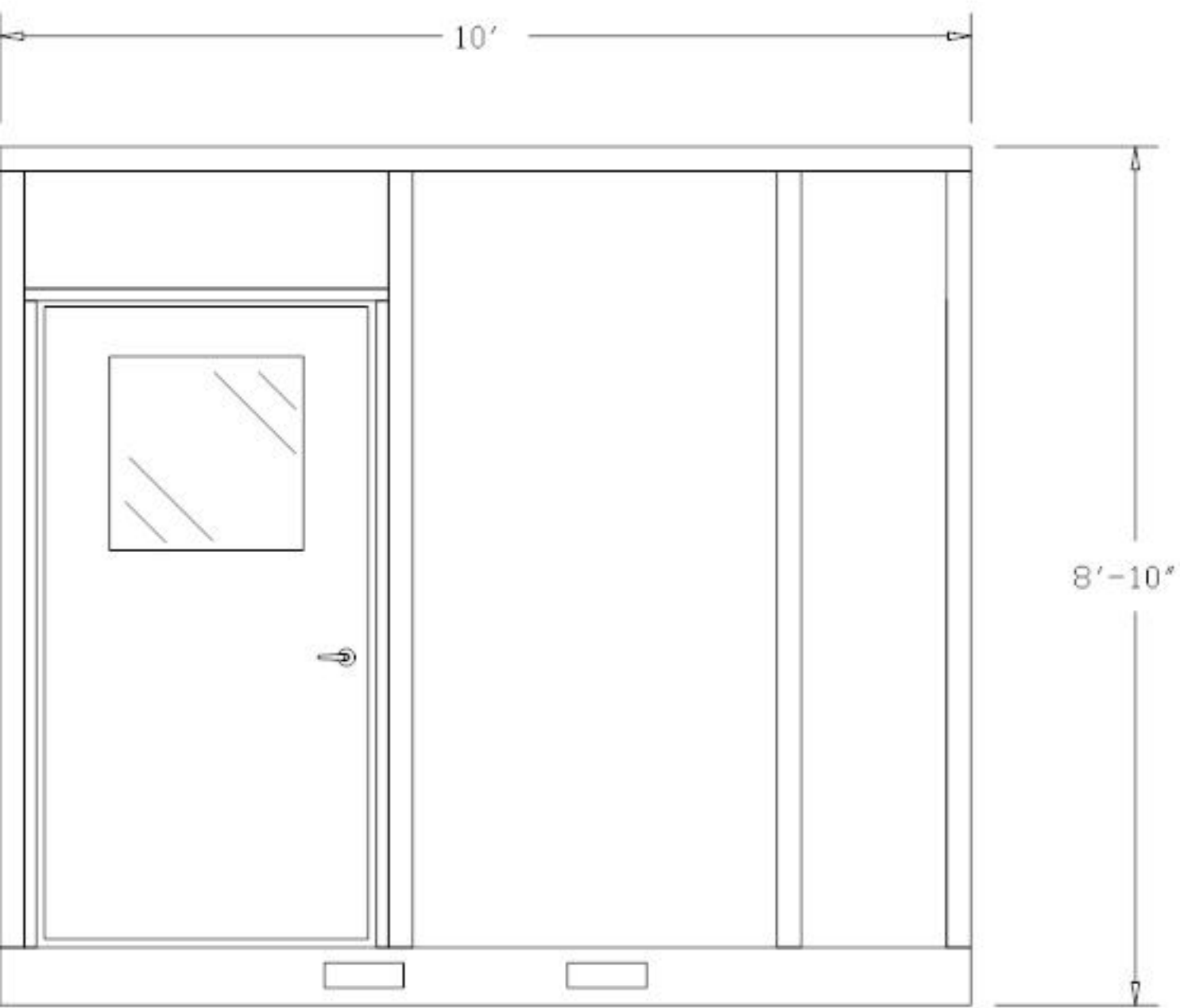
WINDOW PANEL =  = W/P

SLIDING WINDOW
PANEL =  = SW/P

SOLID PANEL =  = S/P

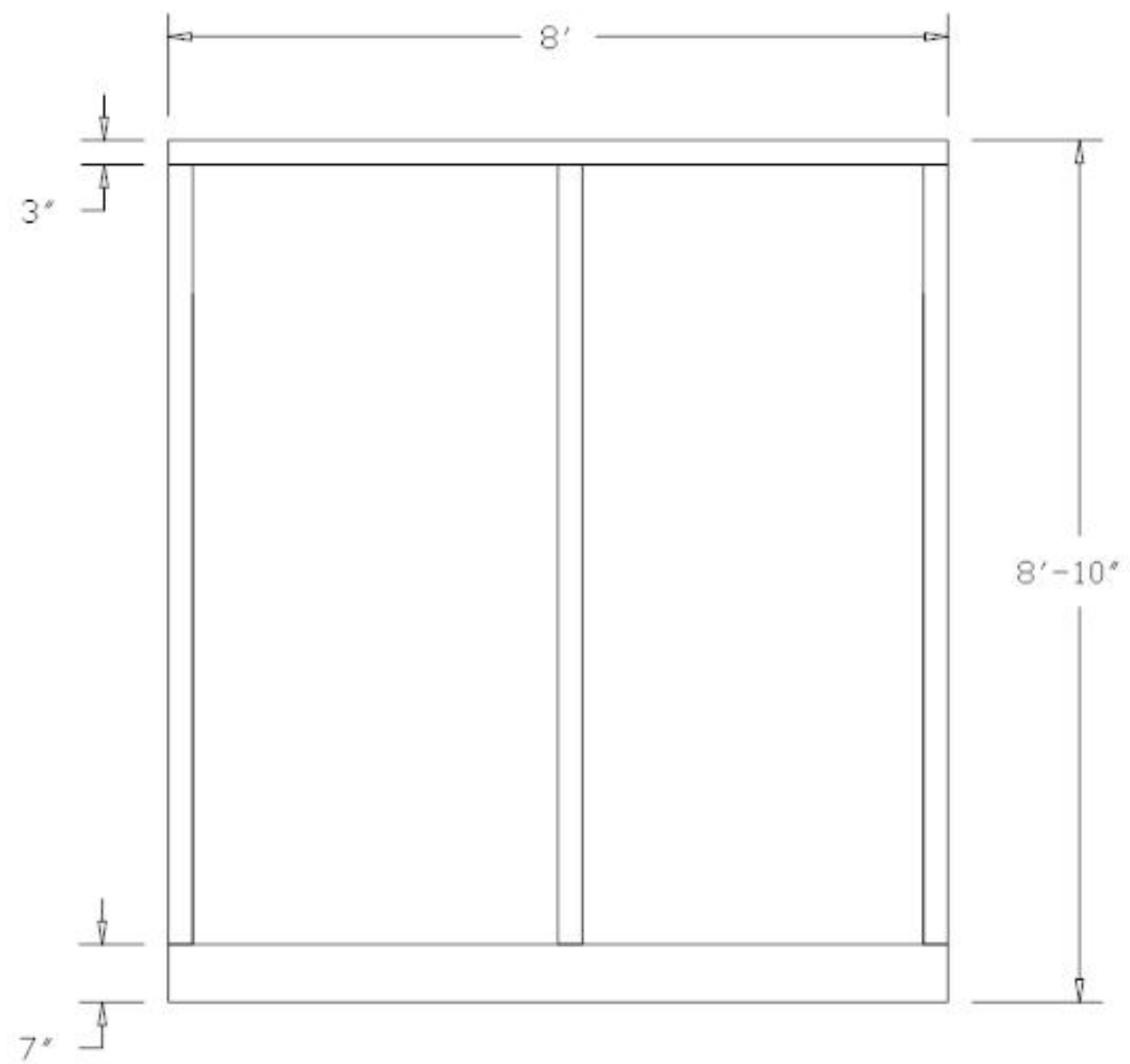
42" X 80" DOOR
W/ 2' X 2'
WINDOW =  = D/L





"A" ELEVATION

PR3 8108



"B" ELEVATION

PLEASE MARK DESIRED LOCATION OF OPTIONS

SHOWN IN LEGEND ON FLOOR PLAN

PR3 8108

DESCRIPTION

SYMBOL

DESIGNATION

6" OR 12"
ROOF OVER-
HANG

=

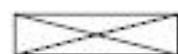


=

□/□(SIZE)

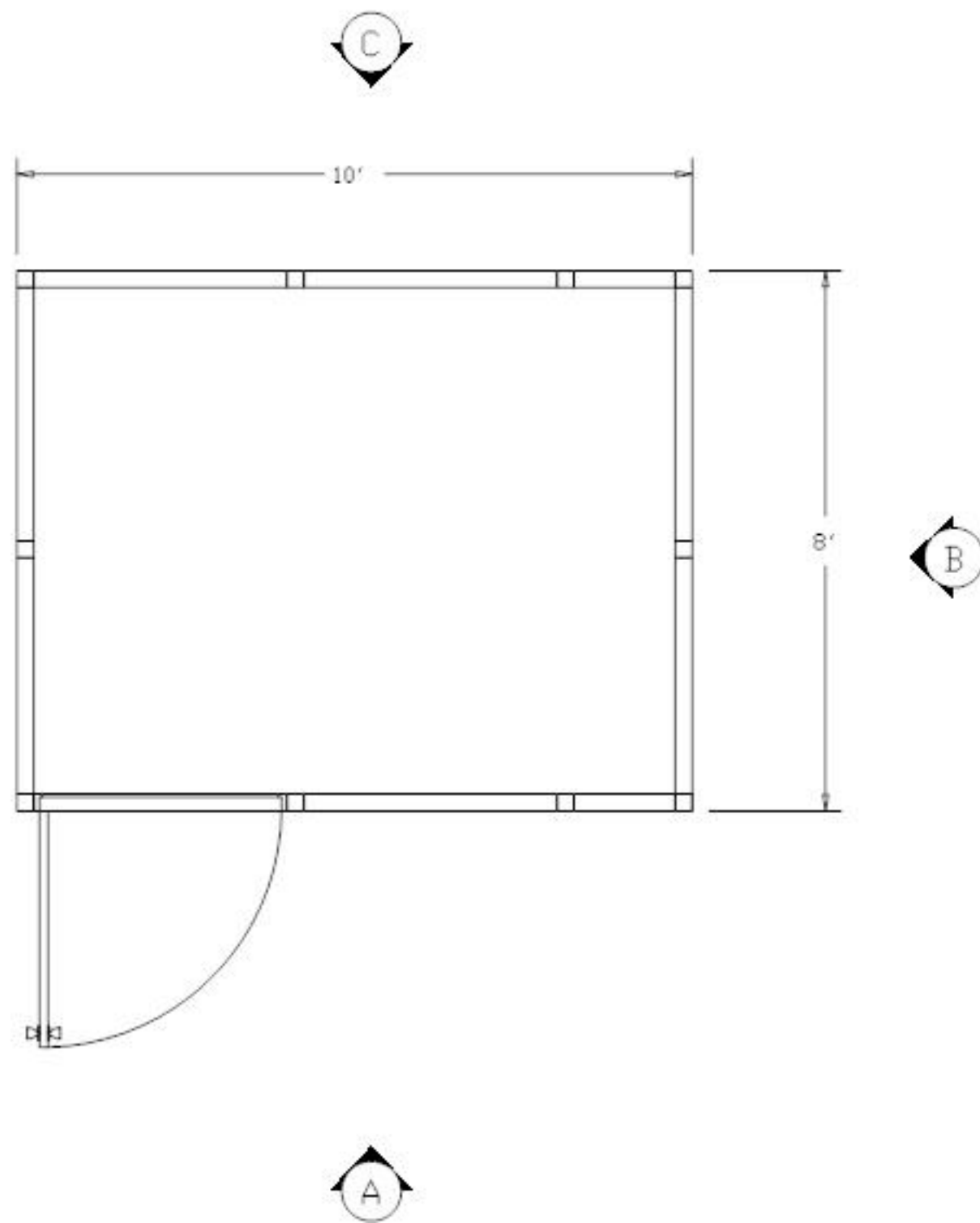
TYP. 2' 2-TUBE
SURFACE MOUNT
LIGHT FIXTURE

=



=

L/F



PLEASE MARK DESIRED LOCATION OF OPTIONS

SHOWN IN LEGEND ON FLOOR PLAN

PR3 8108

<u>DESCRIPTION</u>	<u>SYMBOL</u>	<u>DESIGNATION</u>
120V DUPLEX OUTLET	= \emptyset	= \emptyset
LIGHT SWITCH	= \$	= \$
MAIN PANEL	= PNL	= PNL
TYP. 2' 2-TUBE SURFACE MOUNT LIGHT FIXTURE	= X	= L/F
THRU WALL HVAC UNIT	= HVAC	= HVAC

