

PLEASE MARK DESIRED LOCATION OF OPTIONS

SHOWN IN LEGEND ON FLOOR PLAN

PR3 8128

DESCRIPTION

SYMBOL

DESIGNATION

WINDOW PANEL =



=

W/P

SLIDING WINDOW
PANEL =



=

SW/P

SOLID PANEL =



=

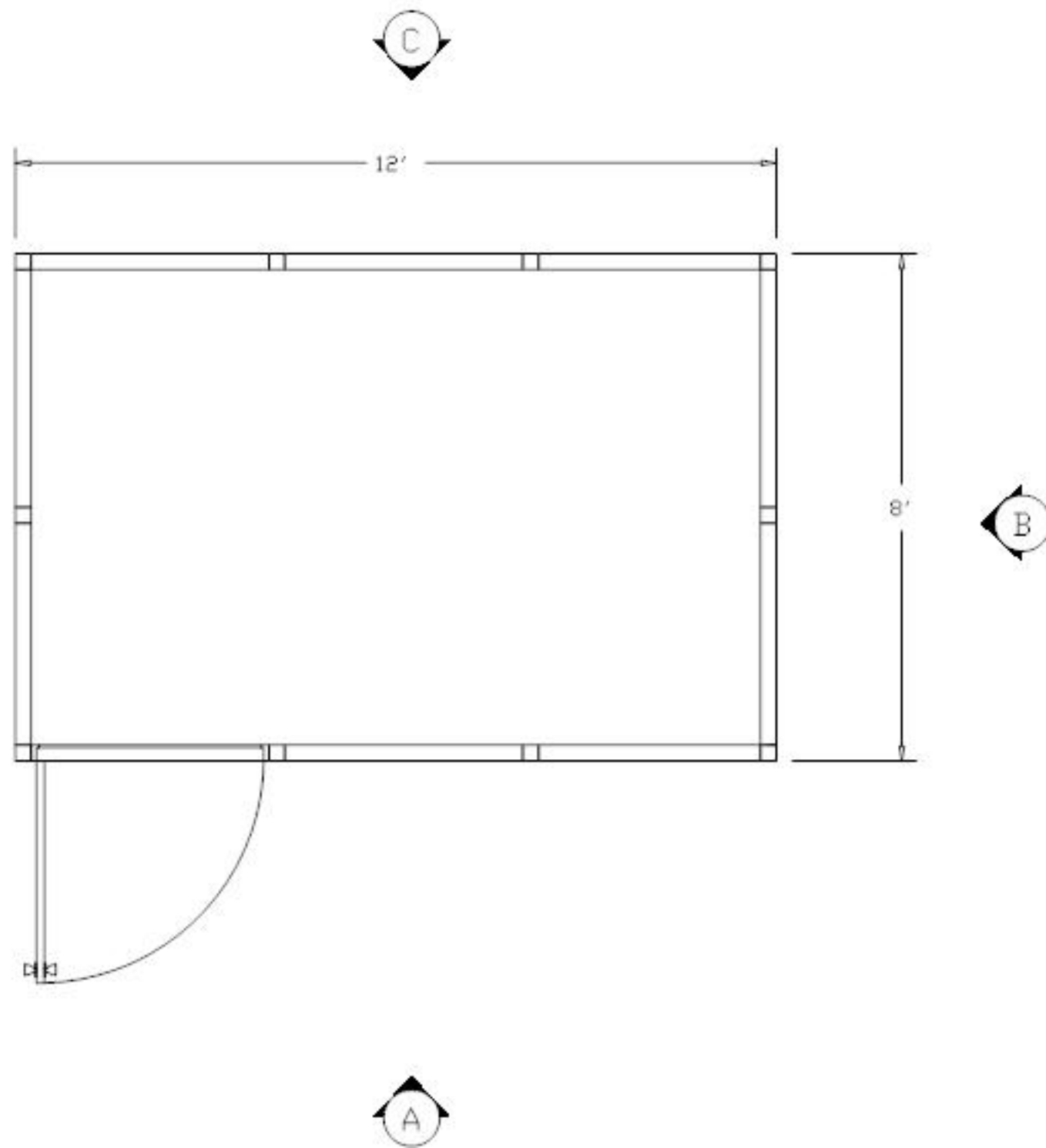
S/P

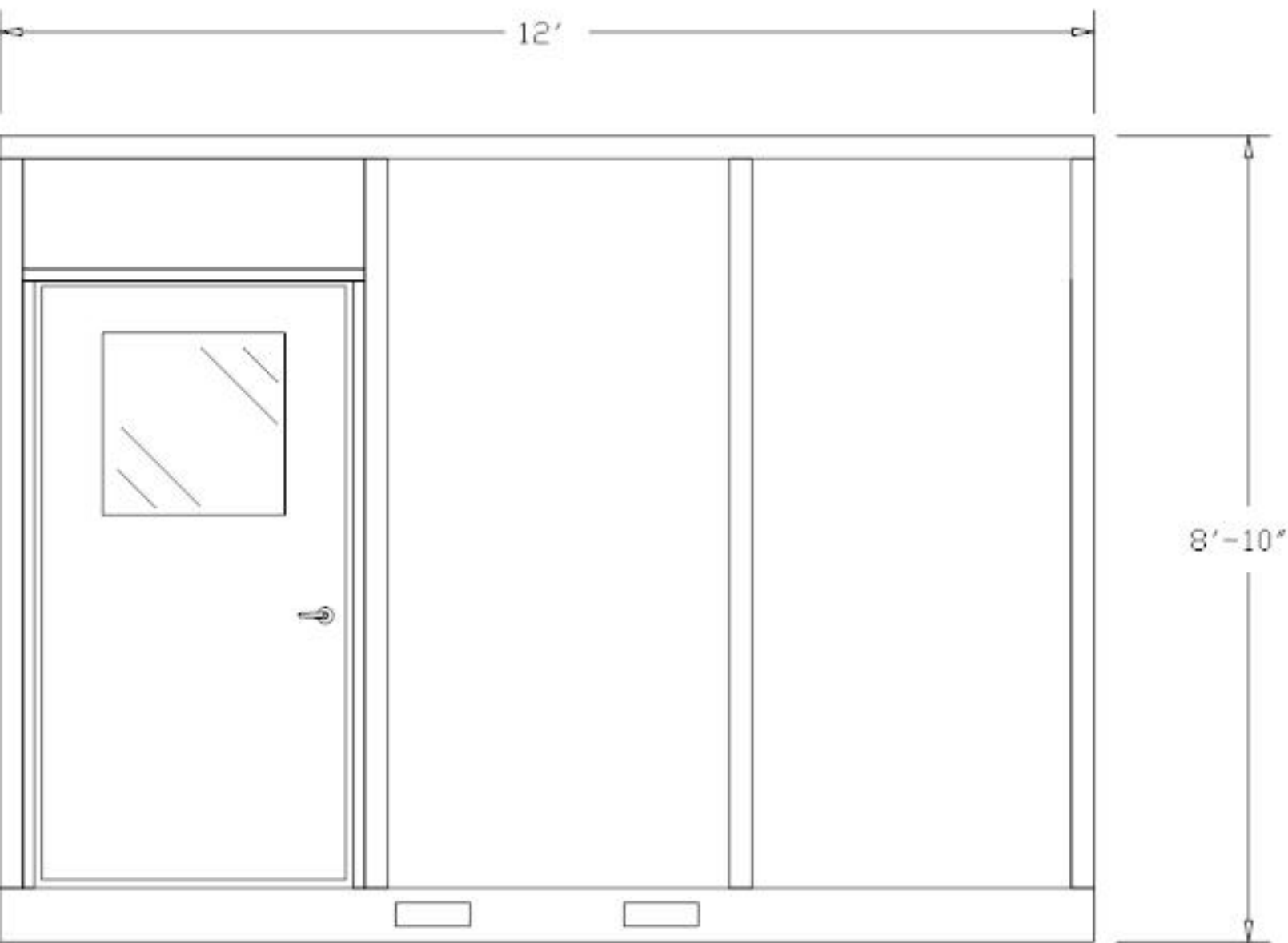
42" X 80" DOOR
W/ 2' X 2'
WINDOW =



=

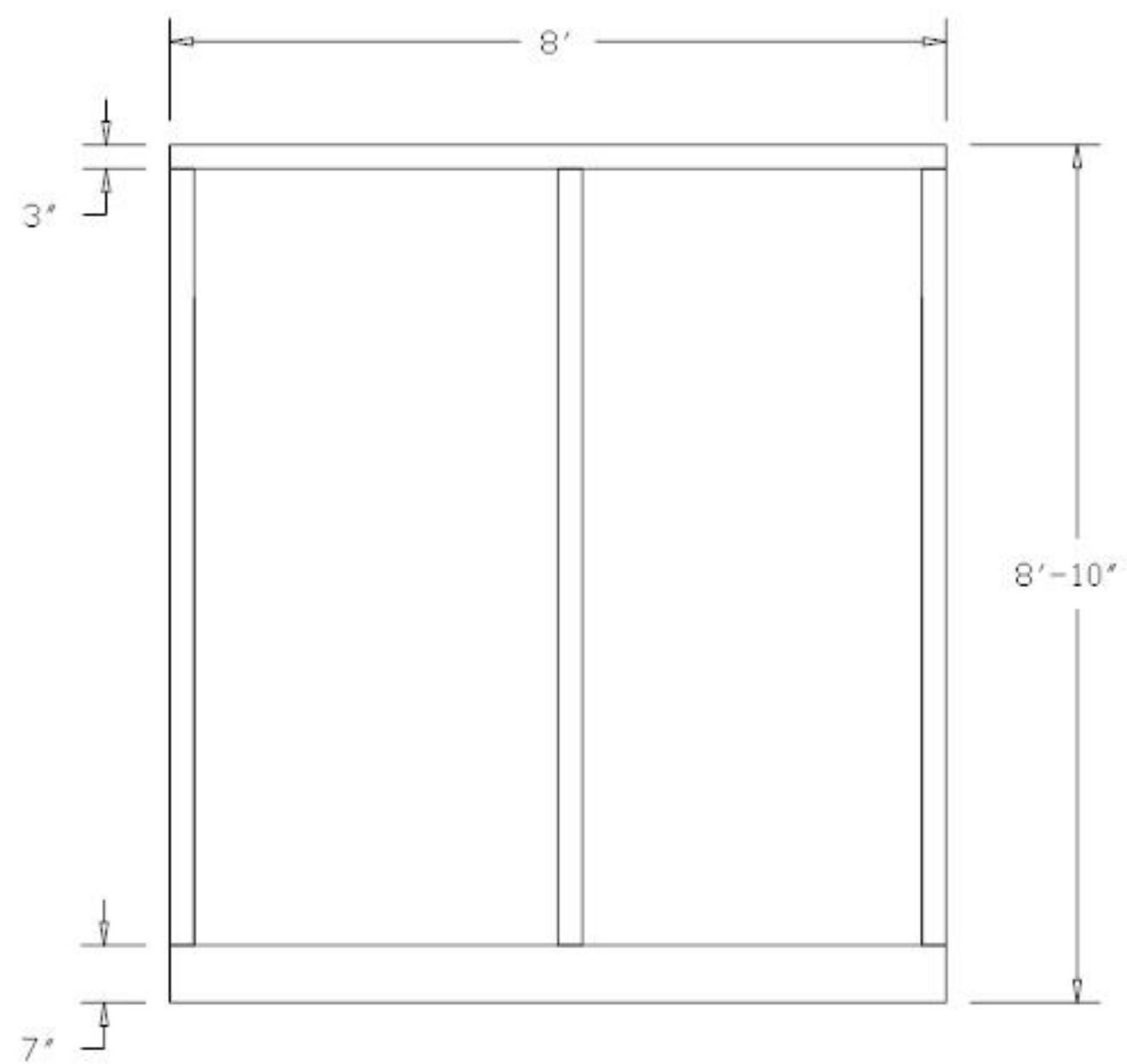
D/L





"A" ELEVATION

PR3 8128



"B" ELEVATION

PLEASE MARK DESIRED LOCATION OF OPTIONS
SHOWN IN LEGEND ON FLOOR PLAN

PR3 8128

DESCRIPTION

SYMBOL

DESIGNATION

6" OR 12"
ROOF OVER-
HANG

=

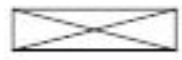


=

□/□(SIZE)

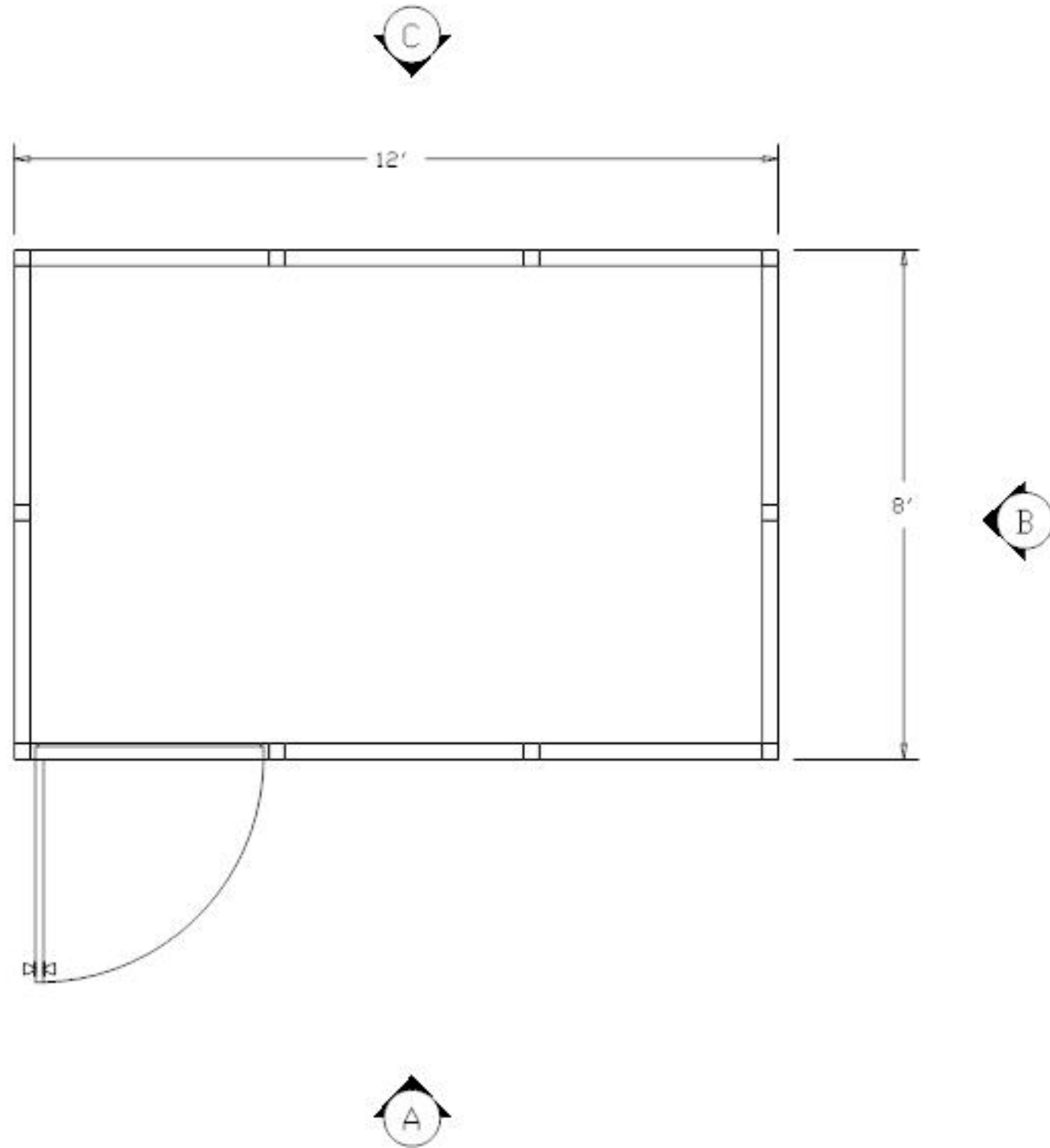
TYP. 2' 2-TUBE
SURFACE MOUNT
LIGHT FIXTURE

=



=

L/F



PLEASE MARK DESIRED LOCATION OF OPTIONS

SHOWN IN LEGEND ON FLOOR PLAN

PR3 8128

<u>DESCRIPTION</u>	<u>SYMBOL</u>	<u>DESIGNATION</u>
120V DUPLEX OUTLET	= \oslash	= \oslash
LIGHT SWITCH	= \$	= \$
MAIN PANEL	= PNL	= PNL
TYP. 2' 2-TUBE SURFACE MOUNT LIGHT FIXTURE	= <div style="position: absolute; top: 5px; left: 5px; width: 10px; height: 10px; border: 1px solid black;"></div><div style="position: absolute; top: 5px; right: 5px; width: 10px; height: 10px; border: 1px solid black;"></div>	= L/F
THRU WALL HVAC UNIT	= 	=

