



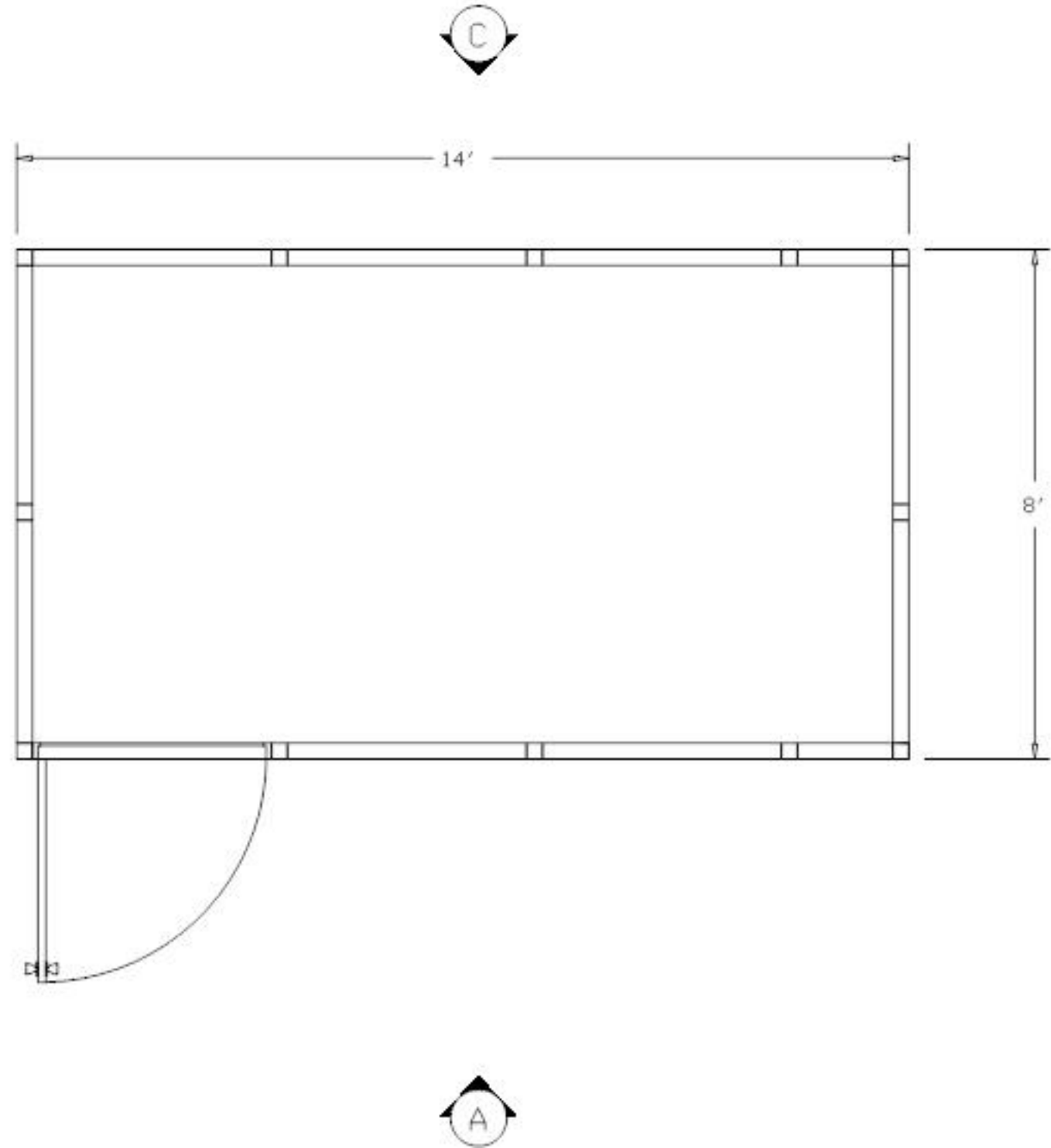
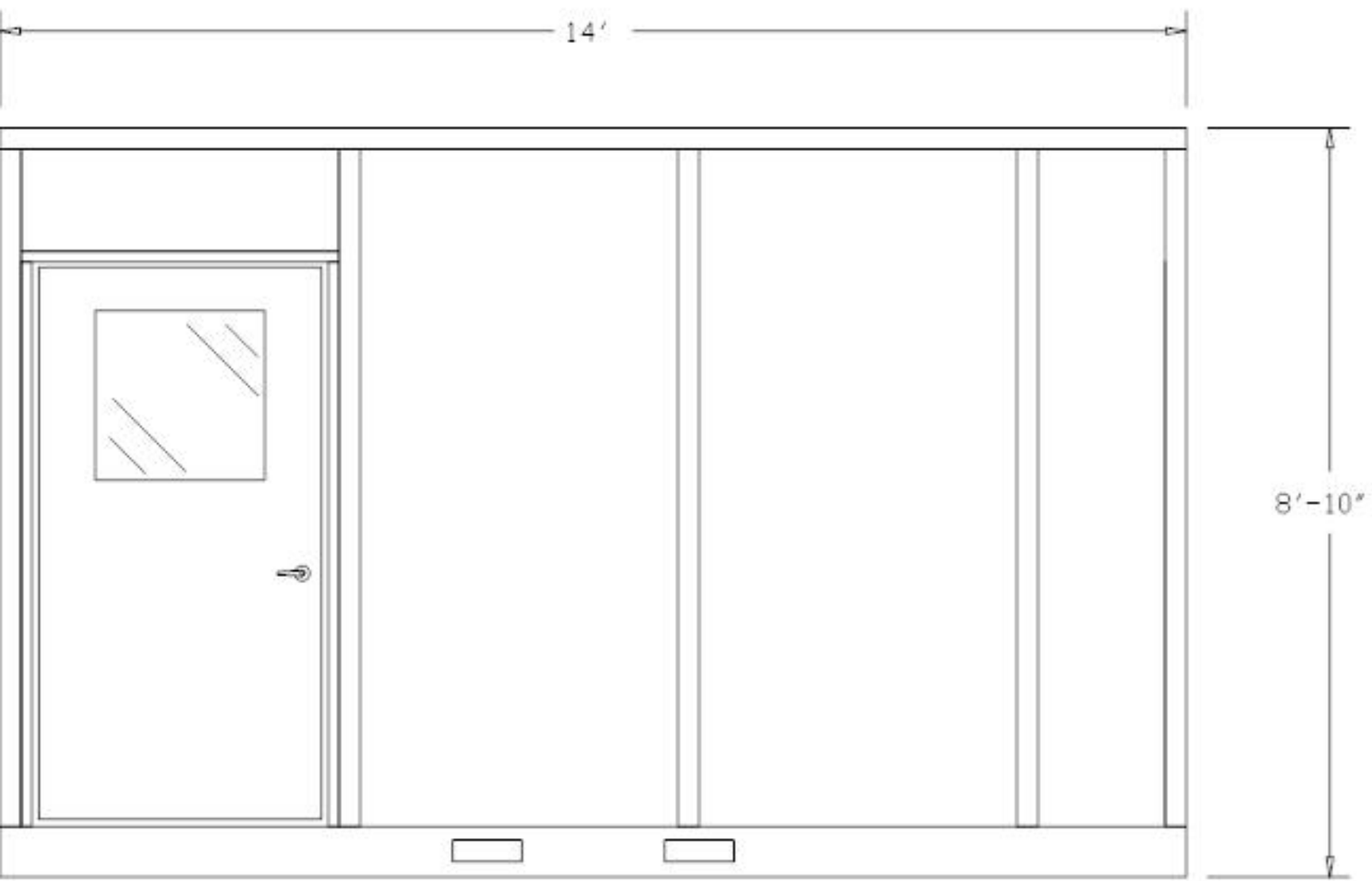


PLEASE MARK DESIRED LOCATION OF OPTIONS  
SHOWN IN LEGEND ON FLOOR PLAN

PR3 8148

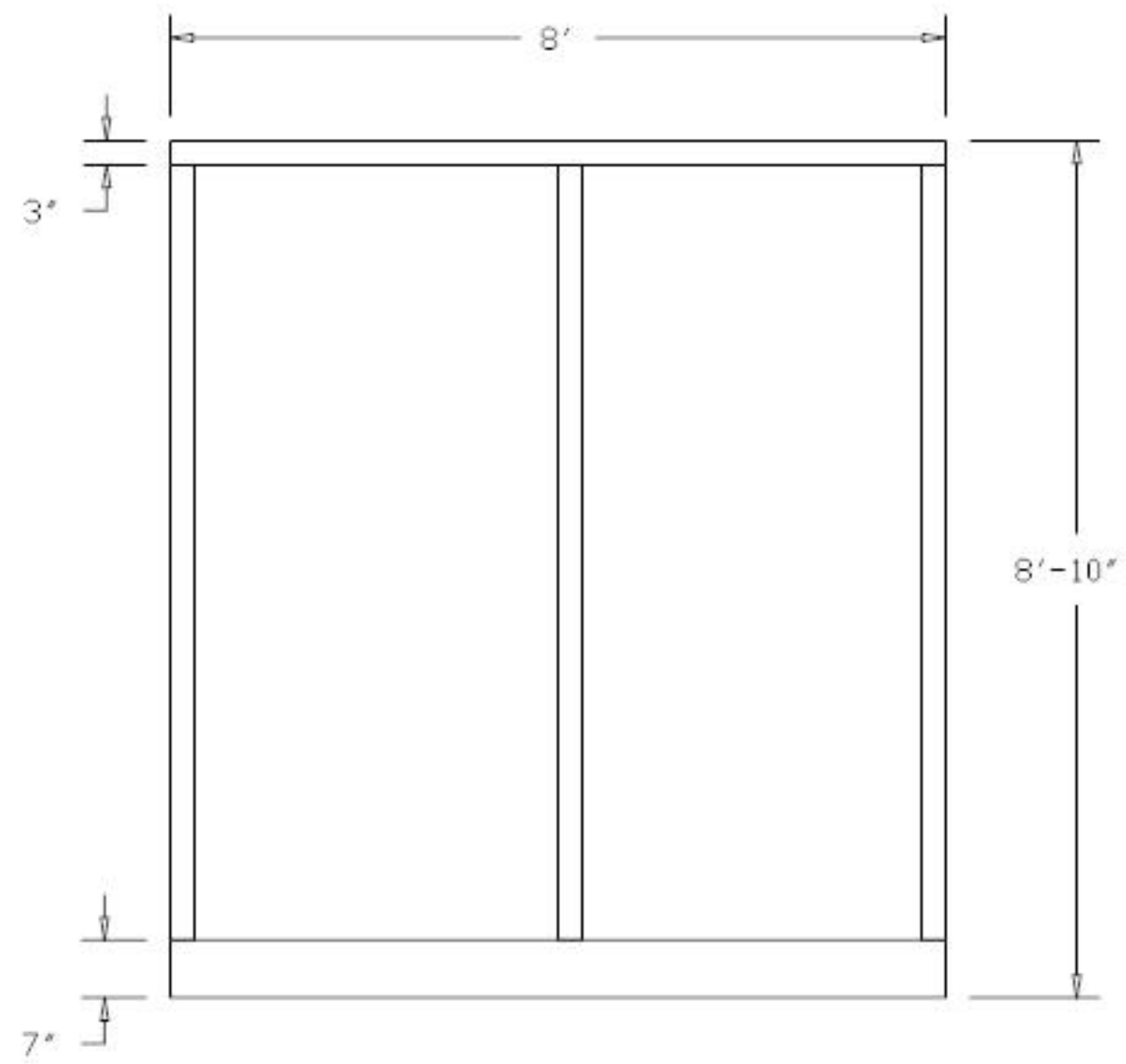
<u>DESCRIPTION</u>	<u>SYMBOL</u>	<u>DESIGNATION</u>
WINDOW PANEL =		= W/P
SLIDING WINDOW PANEL =		= SW/P
SOLID PANEL =		= S/P
42" X 80" DOOR W/ 2' X 2' WINDOW		= D/L





"A" ELEVATION

PR3 8148



"B" ELEVATION

PLEASE MARK DESIRED LOCATION OF OPTIONS  
 SHOWN IN LEGEND ON FLOOR PLAN

PR3 8148

DESCRIPTION

SYMBOL

DESIGNATION

6" OR 12"  
 ROOF OVER-  
 HANG

=

-----

=

□/□(SIZE)

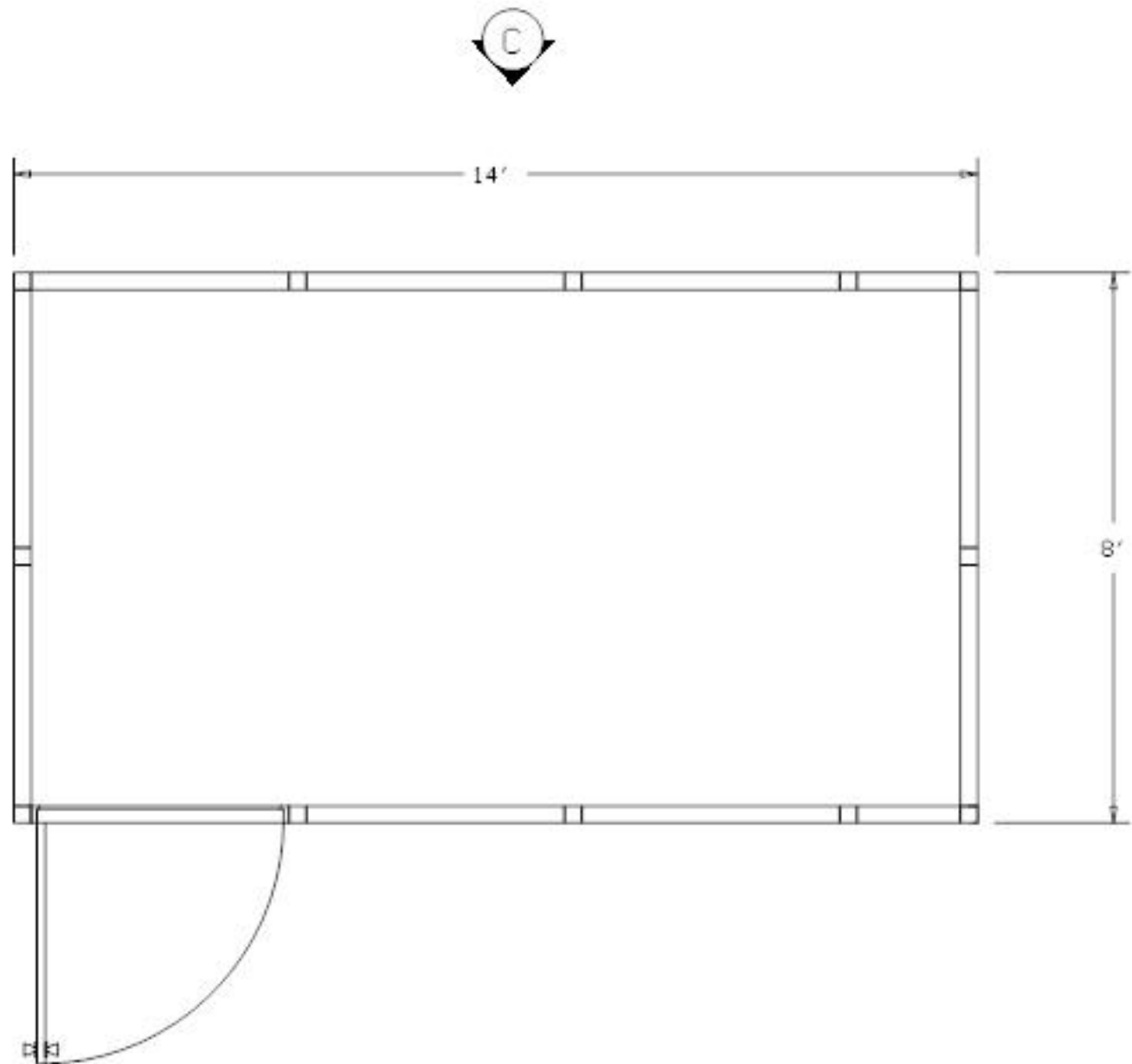
TYP. 2' 2-TUBE  
 SURFACE MOUNT  
 LIGHT FIXTURE

=

⊠

=

L/F



PLEASE MARK DESIRED LOCATION OF OPTIONS  
 SHOWN IN LEGEND ON FLOOR PLAN  
 PR3 8148

<u>DESCRIPTION</u>	<u>SYMBOL</u>	<u>DESIGNATION</u>
120V DUPLEX OUTLET	= $\emptyset$	= $\emptyset$
LIGHT SWITCH	= \$	= \$
MAIN PANEL	= <span style="border: 1px solid black; padding: 2px;">PNL</span>	= <span style="border: 1px solid black; padding: 2px;">PNL</span>
TYP. 2' 2-TUBE SURFACE MOUNT LIGHT FIXTURE	= <span style="border: 1px solid black; padding: 2px; display: inline-block; width: 20px; height: 10px; text-align: center;">X</span>	= L/F
THRU WALL HVAC UNIT	= <span style="border: 1px solid black; padding: 2px; display: inline-block; width: 30px; height: 20px; text-align: center;">HVAC</span>	= <span style="border: 1px solid black; padding: 2px; display: inline-block; width: 30px; height: 20px; text-align: center;">HVAC</span>

