



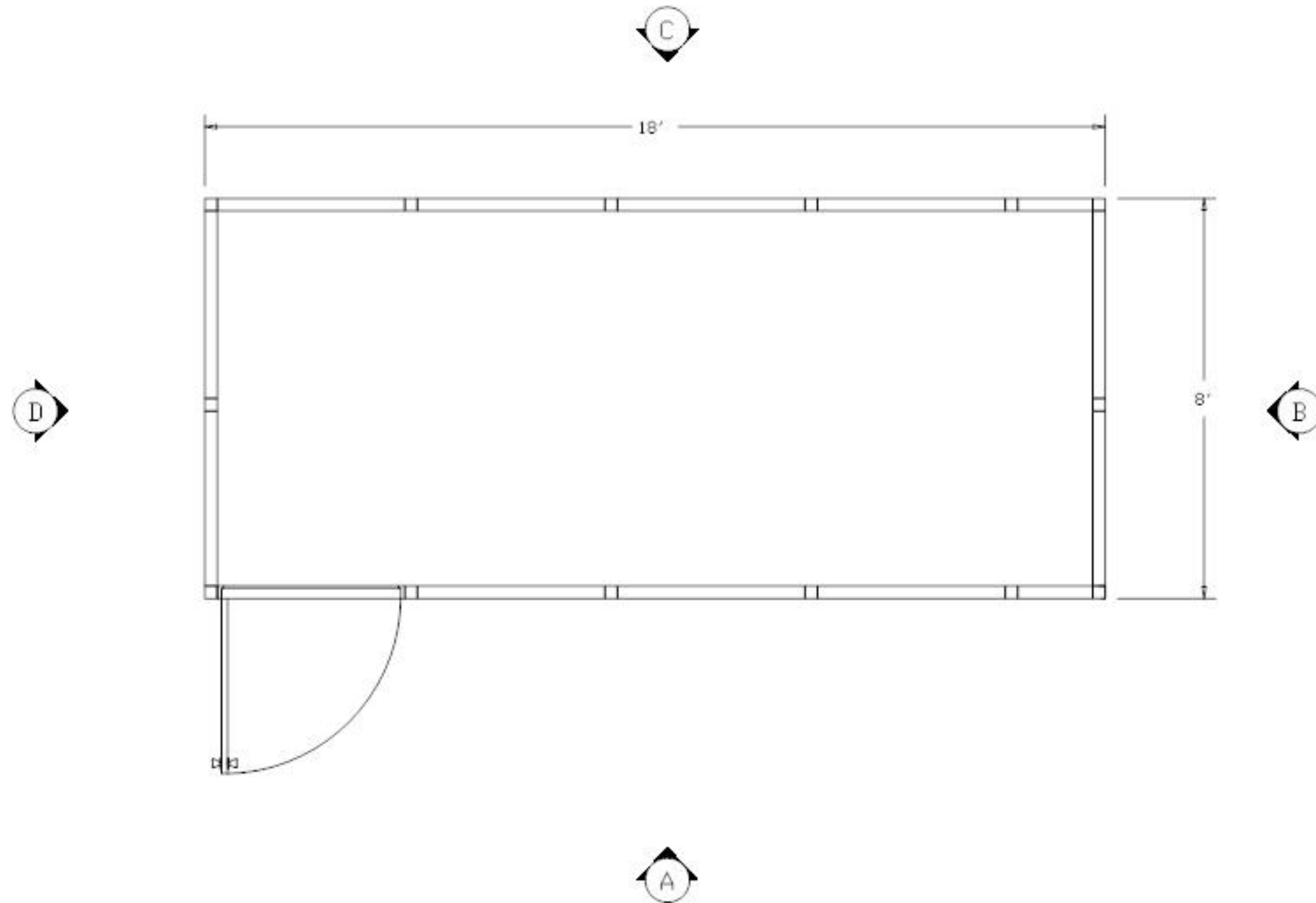
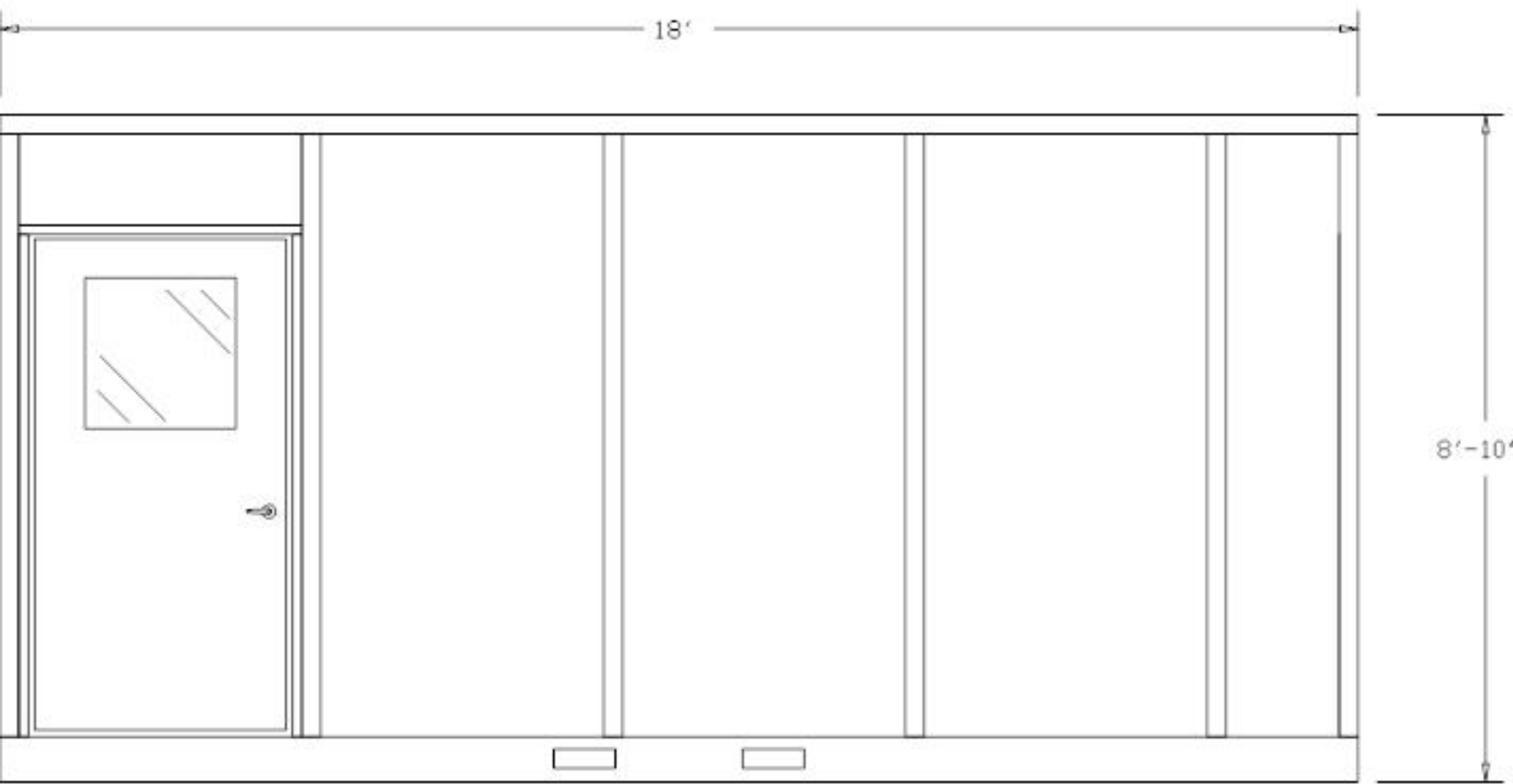


PLEASE MARK DESIRED LOCATION OF OPTIONS
SHOWN IN LEGEND ON FLOOR PLAN

PR3 8188

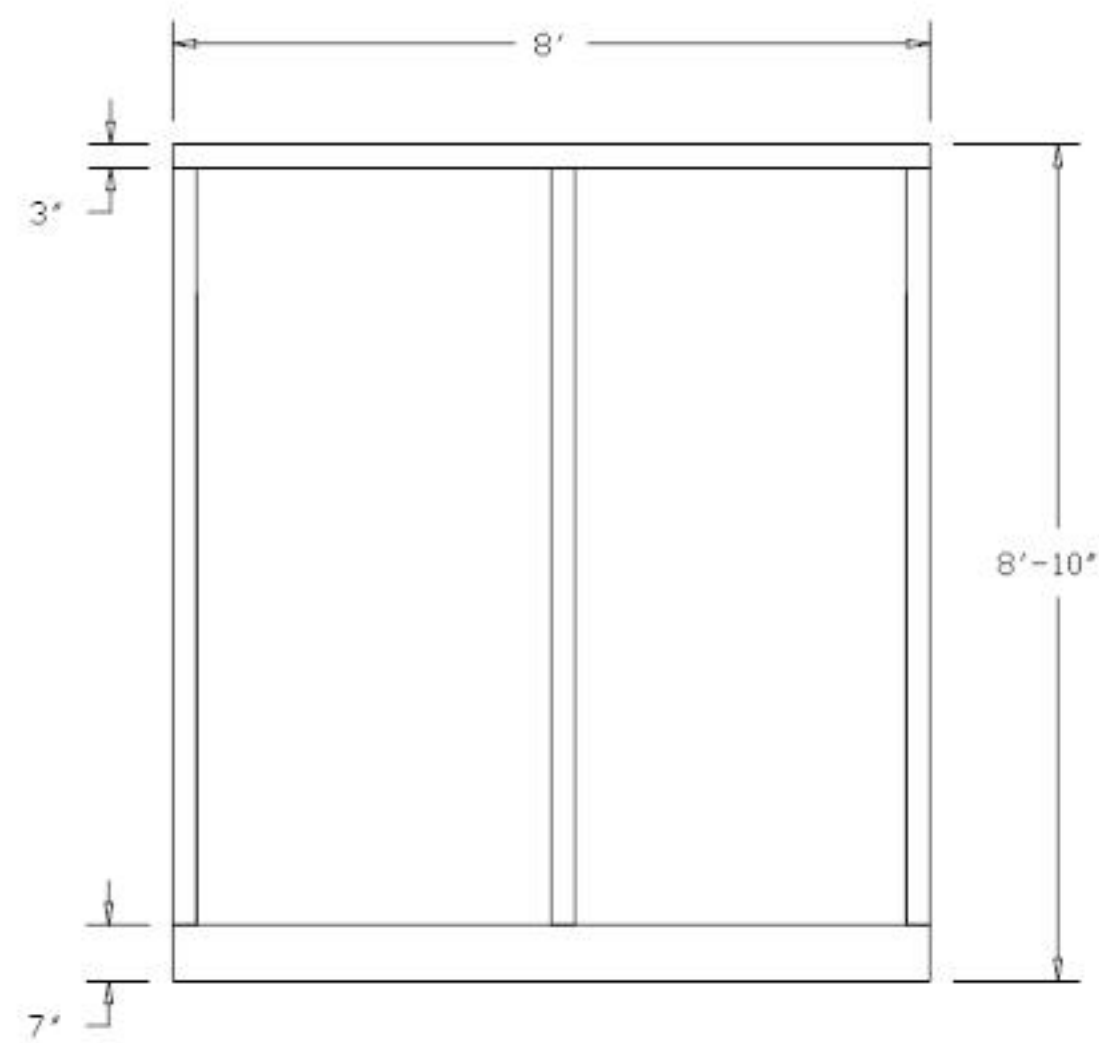
<u>DESCRIPTION</u>	<u>SYMBOL</u>	<u>DESIGNATION</u>
WINDOW PANEL =		= W/P
SLIDING WINDOW PANEL =		= SW/P
SOLID PANEL =		= S/P
42" X 80" DOOR W/ 2' X 2' WINDOW =		= D/L





"A" ELEVATION

PR3 8188



"B" ELEVATION

PLEASE MARK DESIRED LOCATION OF OPTIONS
 SHOWN IN LEGEND ON FLOOR PLAN
 PR3 8188

DESCRIPTION

SYMBOL

DESIGNATION

6" OR 12"
 ROOF OVER-
 HANG

=

=

□/□(SIZE)

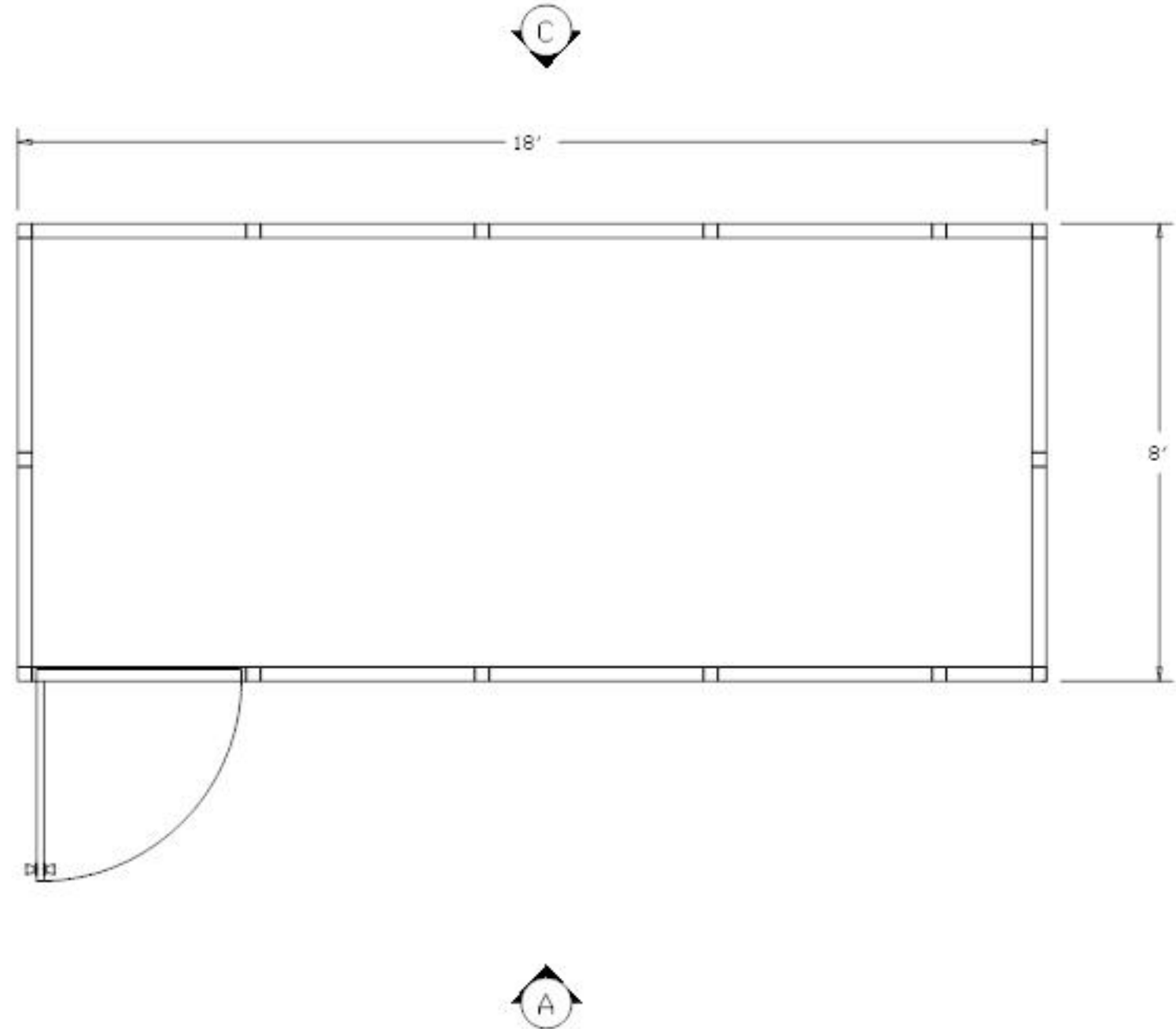
TYP. 2' 2-TUBE
 SURFACE MOUNT
 LIGHT FIXTURE

=



=

L/F



PLEASE MARK DESIRED LOCATION OF OPTIONS
 SHOWN IN LEGEND ON FLOOR PLAN
 PR3 8188

<u>DESCRIPTION</u>	<u>SYMBOL</u>	<u>DESIGNATION</u>
120V DUPLEX OUTLET	= ϕ	= ϕ
LIGHT SWITCH	= \$	= \$
MAIN PANEL	= PNL	= PNL
TYP. 2' 2-TUBE SURFACE MOUNT LIGHT FIXTURE	= 	= L/F
THRU WALL HVAC UNIT	= 	=

