



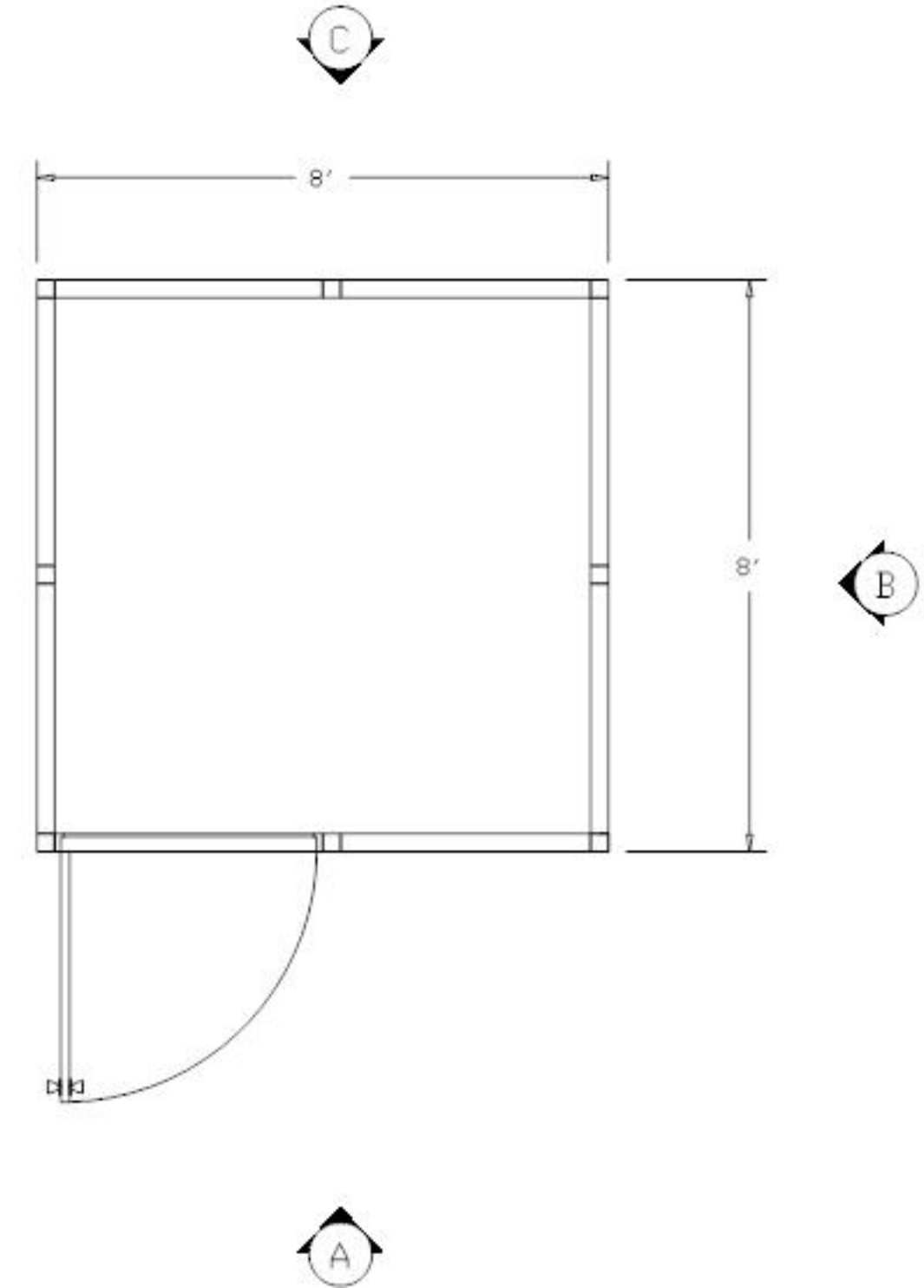
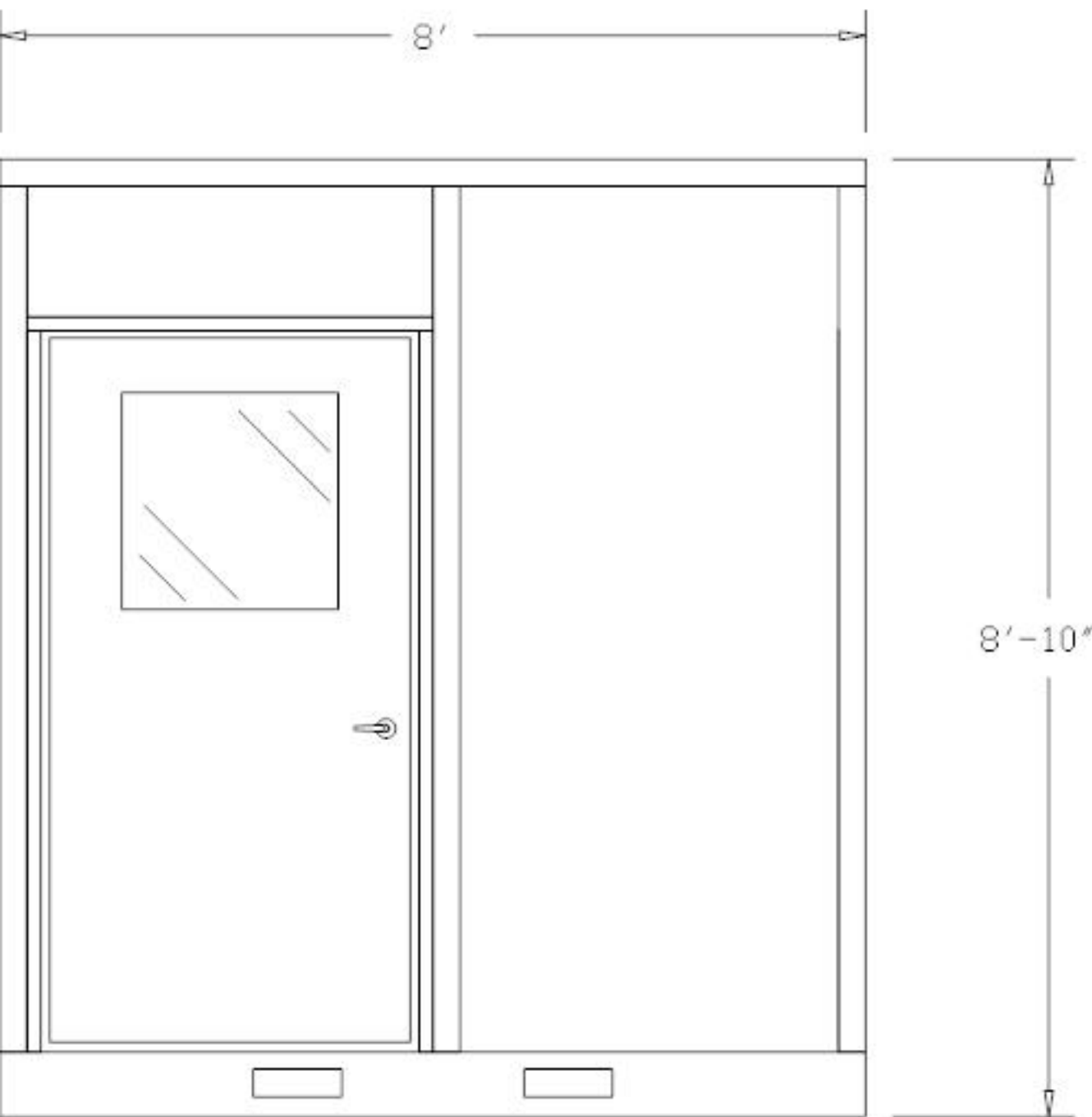


PLEASE MARK DESIRED LOCATION OF OPTIONS
 SHOWN IN LEGEND ON FLOOR PLAN

PR3 888

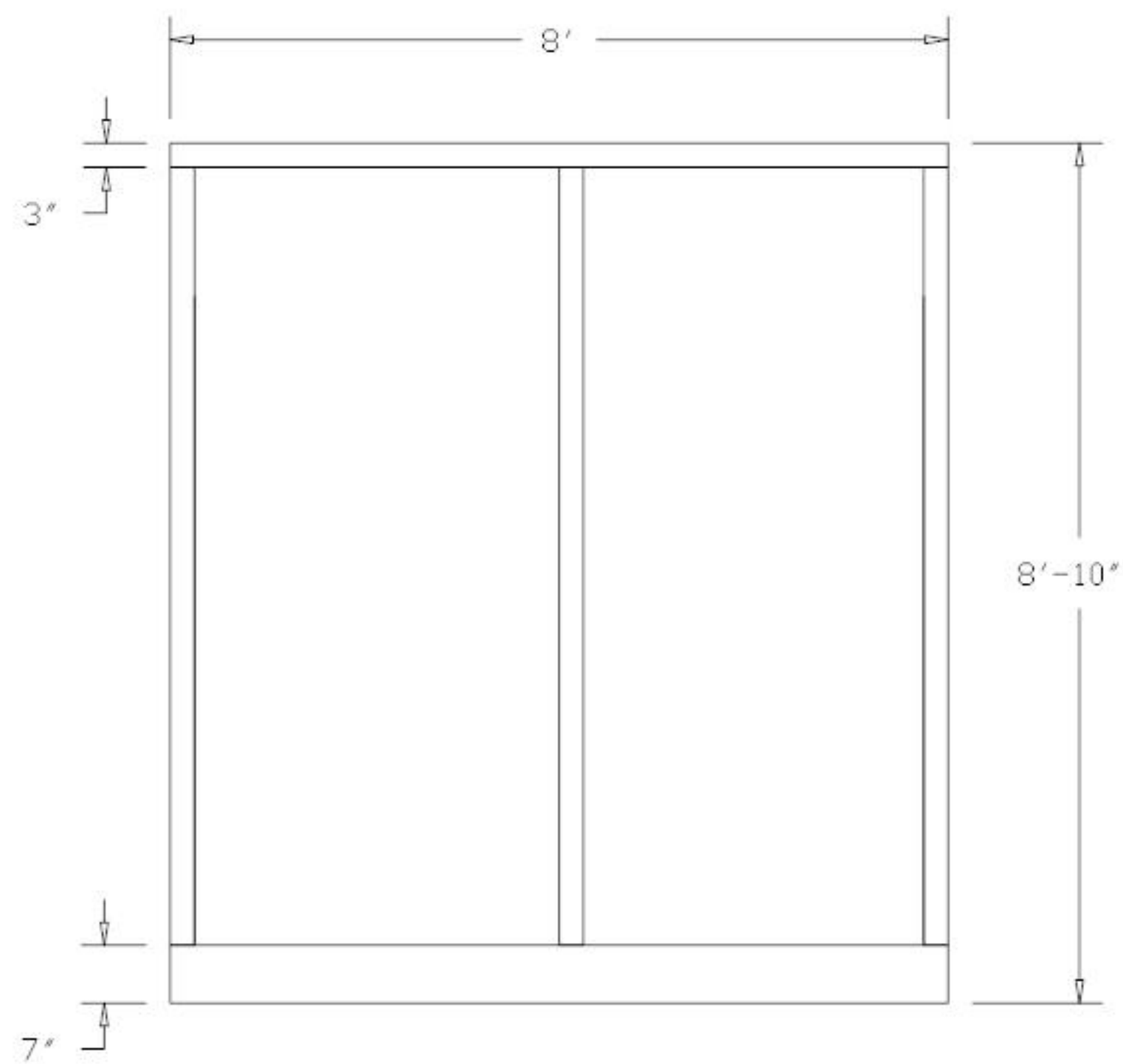
<u>DESCRIPTION</u>	<u>SYMBOL</u>	<u>DESIGNATION</u>
WINDOW PANEL =		W/P
SLIDING WINDOW PANEL =		SW/P
SOLID PANEL =		S/P
42" X 80" DOOR W/ 2' X 2' WINDOW =		D/L





"A" ELEVATION

PR3 888



"B" ELEVATION

PLEASE MARK DESIRED LOCATION OF OPTIONS
SHOWN IN LEGEND ON FLOOR PLAN

PR3 888

DESCRIPTION

SYMBOL

DESIGNATION

6" OR 12"
ROOF OVER-
HANG

=



=

□/□(SIZE)

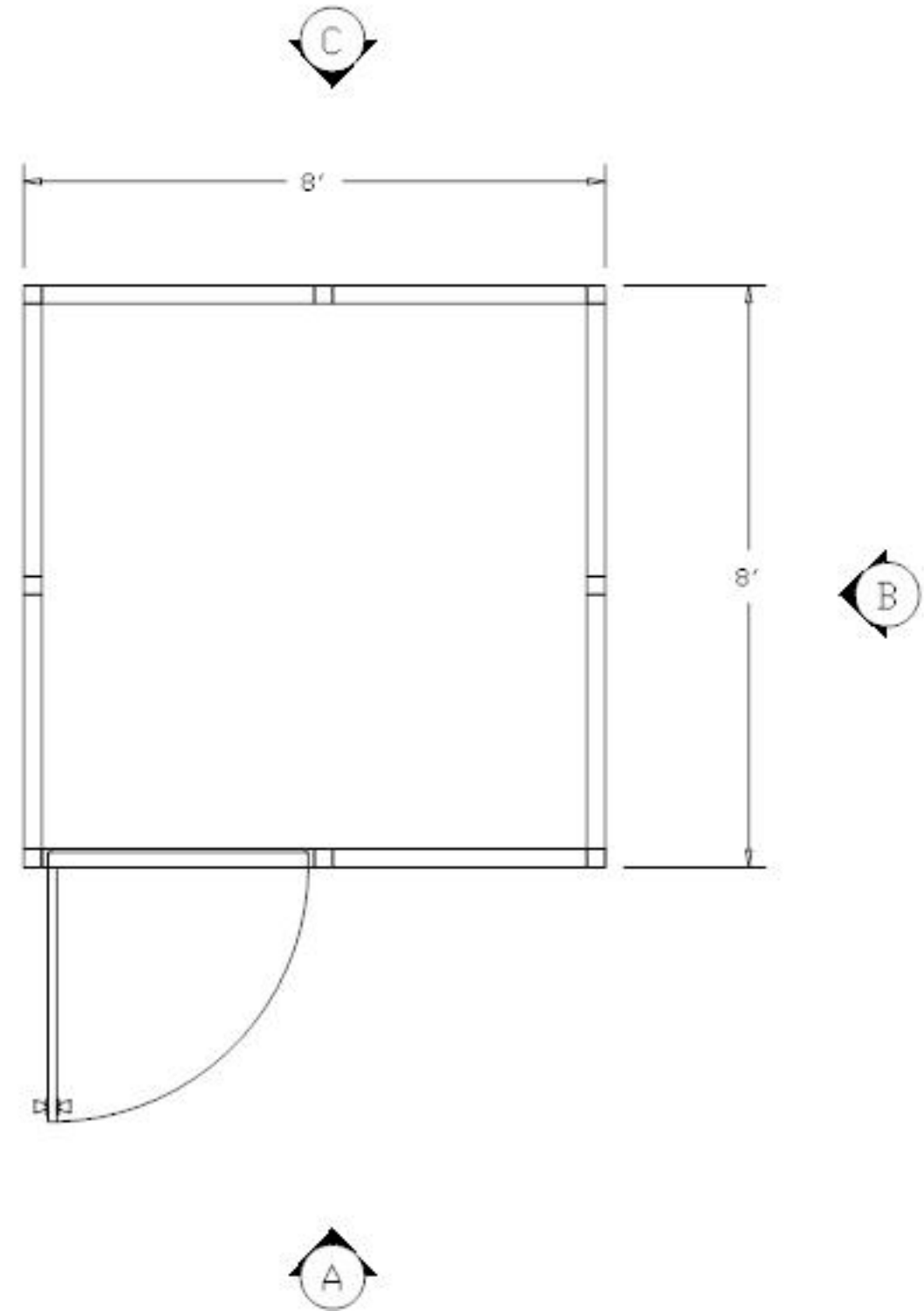
TYP. 2' 2-TUBE
SURFACE MOUNT
LIGHT FIXTURE

=



=

L/F



PLEASE MARK DESIRED LOCATION OF OPTIONS
 SHOWN IN LEGEND ON FLOOR PLAN
 PR3 888

<u>DESCRIPTION</u>	<u>SYMBOL</u>	<u>DESIGNATION</u>
120V DUPLEX OUTLET	= \emptyset	= \emptyset
LIGHT SWITCH	= \$	= \$
MAIN PANEL	= PNL	= PNL
TYP. 2' 2-TUBE SURFACE MOUNT LIGHT FIXTURE	= X 	= L/F
THRU WALL HVAC UNIT	= HVAC	= HVAC

