

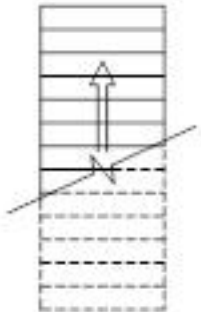
PLEASE MARK DESIRED LOCATION OF OPTIONS
SHOWN IN LEGEND ON FLOOR PLAN


STM 2020

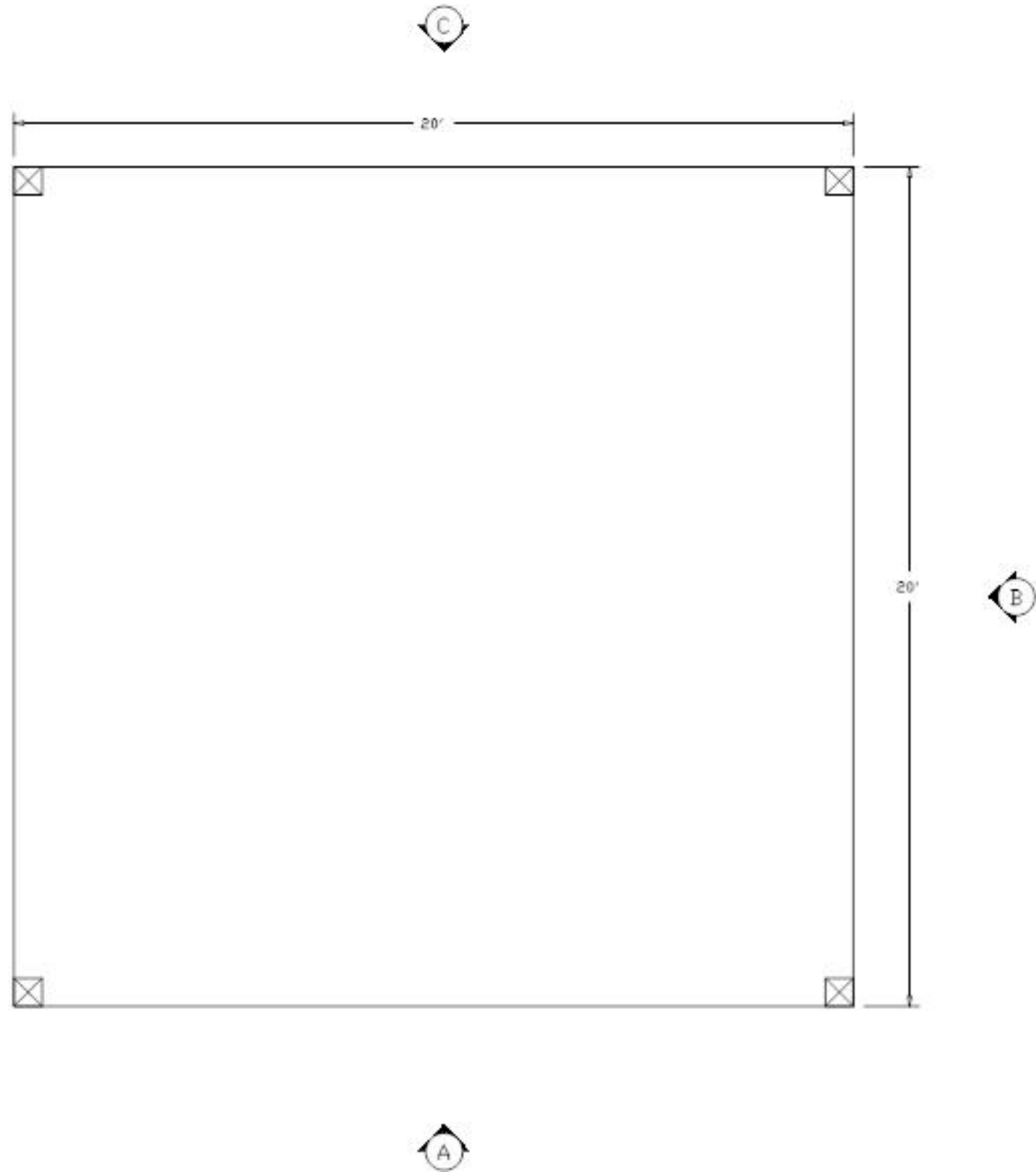
<u>DESCRIPTION</u>	<u>SYMBOL</u>	<u>DESIGNATION</u>
--------------------	---------------	--------------------

SAFETY RAIL	= 	= S/R
-------------	-------------------------------------------------------------------------------------	-------

SWING GATE 6'-0"	= 	= SW/G
---------------------	-------------------------------------------------------------------------------------	--------

STANDARD 3'-0" WIDE STAIR W/SAFETY RAILS	= 	= S/C
------------------------------------------------	-------------------------------------------------------------------------------------	-------

8" SQ. TUBE STEEL COLUMN	= 	
-----------------------------	-------------------------------------------------------------------------------------	--





"A" ELEVATION

DIMENSION VARIES UPON SPAN LENGTH
AND DECKING OPTIONS



STM 2020

"B" ELEVATION

PLEASE MARK DESIRED LOCATION OF OPTIONS

SHOWN IN LEGEND ON FLOOR PLAN

STM 2020

<u>DESCRIPTION</u>	<u>SYMBOL</u>	<u>DESIGNATION</u>
120V DUPLEX OUTLET	= \emptyset	= \emptyset
LIGHT SWITCH	= $\$$	= $\$$
MAIN PANEL	= PNL	= PNL
TYP. 1' X 4' SURFACE MOUNT LIGHT FIXTURE	= X	= SL/F
8" SQ. TUBE STEEL COLUMN	= X	

