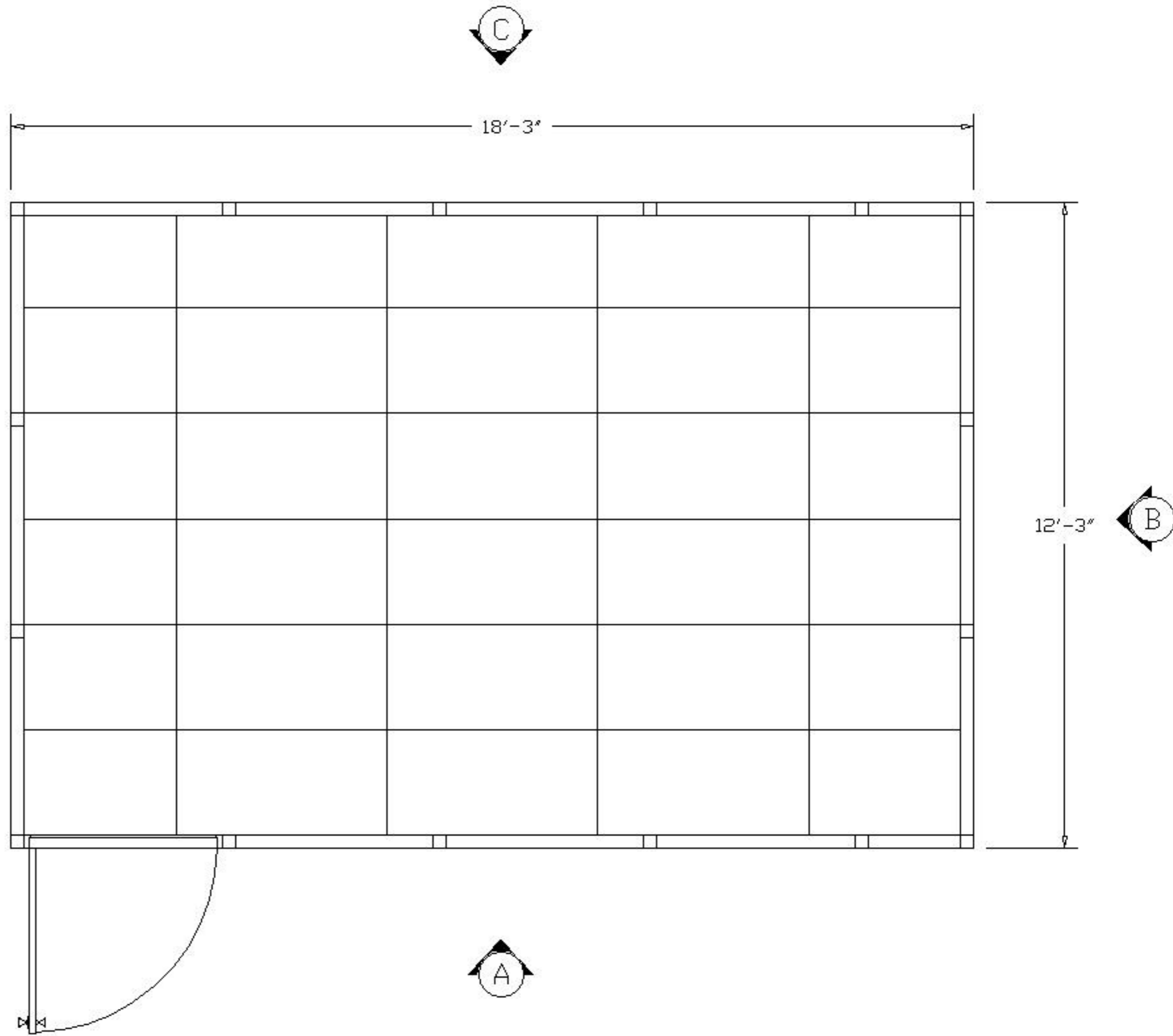
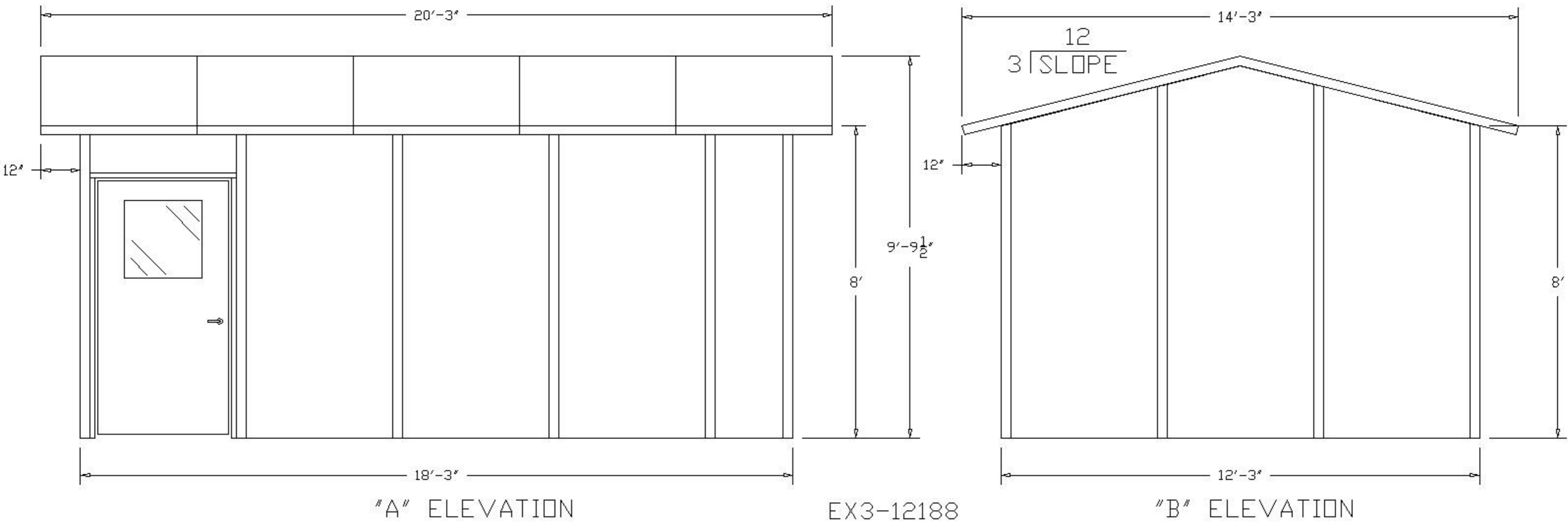





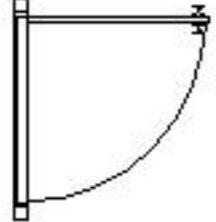
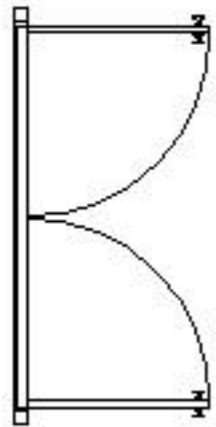
PLEASE MARK DESIRED LOCATION OF OPTIONS
 SHOWN IN LEGEND ON FLOOR PLAN
 EX3-12188

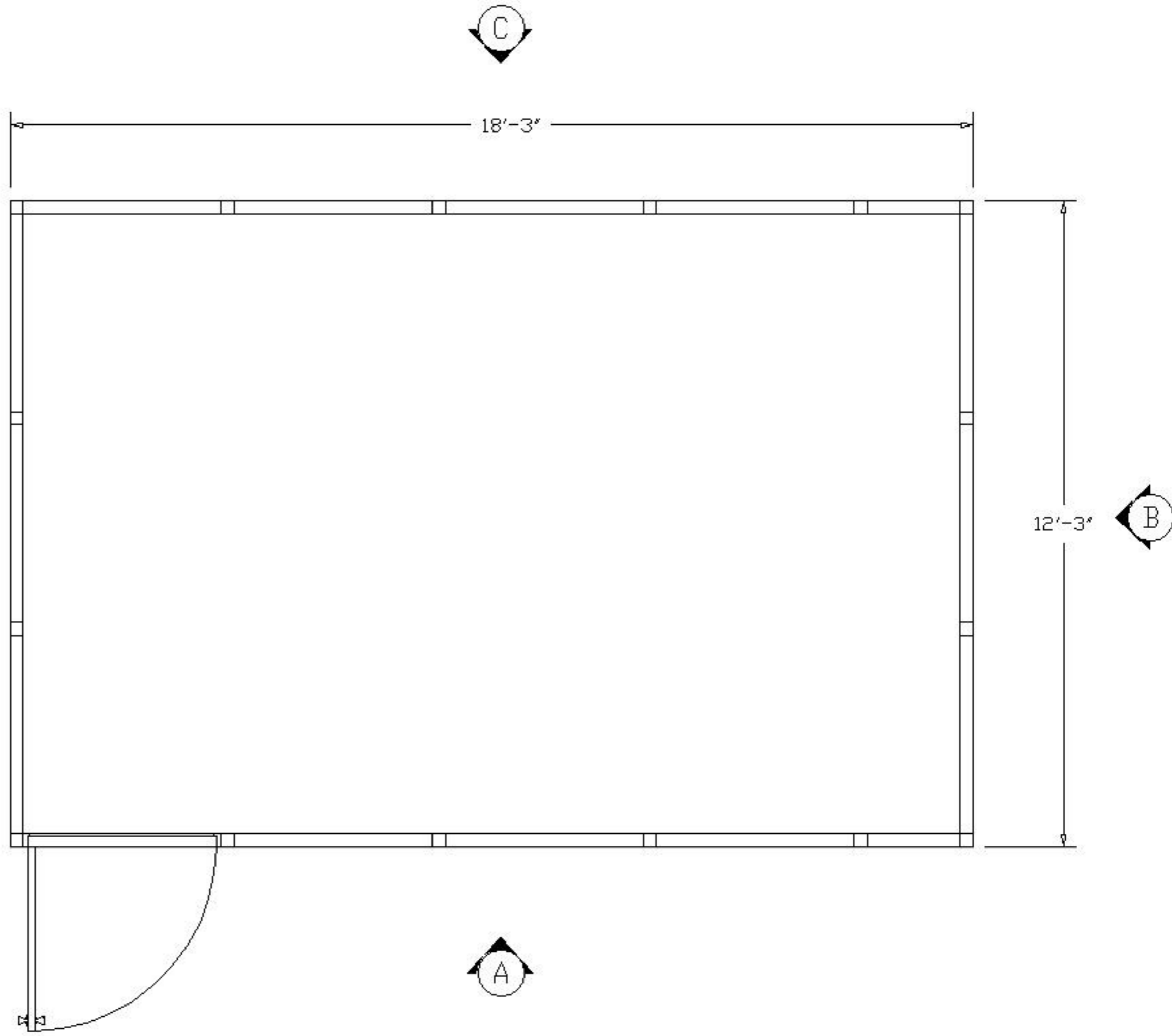
| <u>DESCRIPTION</u> | <u>SYMBOL</u> | <u>DESIGNATION</u> |
|--|---------------|--------------------|
| 208V OUTLET = | ⊕ | ⊕ |
| TYP. EMERGENCY FLOOD LIGHTS = | | E/L |
| 120V DUPLEX OUTLET = | ⊕ | ⊕ |
| LIGHT SWITCH = | \$ | \$ |
| MAIN PANEL = | | |
| TYP. 2' X 4' LAY IN 4 TUBE LIGHT FIXTURE = | | L/F |
| THRU WALL HVAC UNIT = | | |







PLEASE MARK DESIRED LOCATION OF OPTIONS
 SHOWN IN LEGEND ON FLOOR PLAN
 EX3-12188

| <u>DESCRIPTION</u> | <u>SYMBOL</u> | <u>DESIGNATION</u> |
|--|---|--------------------|
| WINDOW PANEL = |  | W/P |
| SLIDING WINDOW PANEL = |  | SW/P |
| SOLID PANEL = |  | S/P |
| 42" X 80" DOOR W/ 2' X 2' WINDOW = |  | D/L |
| DOUBLE DOOR W/ 2' X 2' WINDOW = |  | DD/L |



PLEASE MARK DESIRED LOCATION OF OPTIONS
 SHOWN IN LEGEND ON FLOOR PLAN
 EX3-12188

| <u>DESCRIPTION</u> | <u>SYMBOL</u> | <u>DESIGNATION</u> |
|--|---|--------------------|
| TYP. 2'X4'x5/8" MINERAL BOARD = CEILING TILE |  | = C/T |
| TYP. 2' X 4' LAY IN 4 TUBE = LIGHT FIXTURE |  | = L/F |

