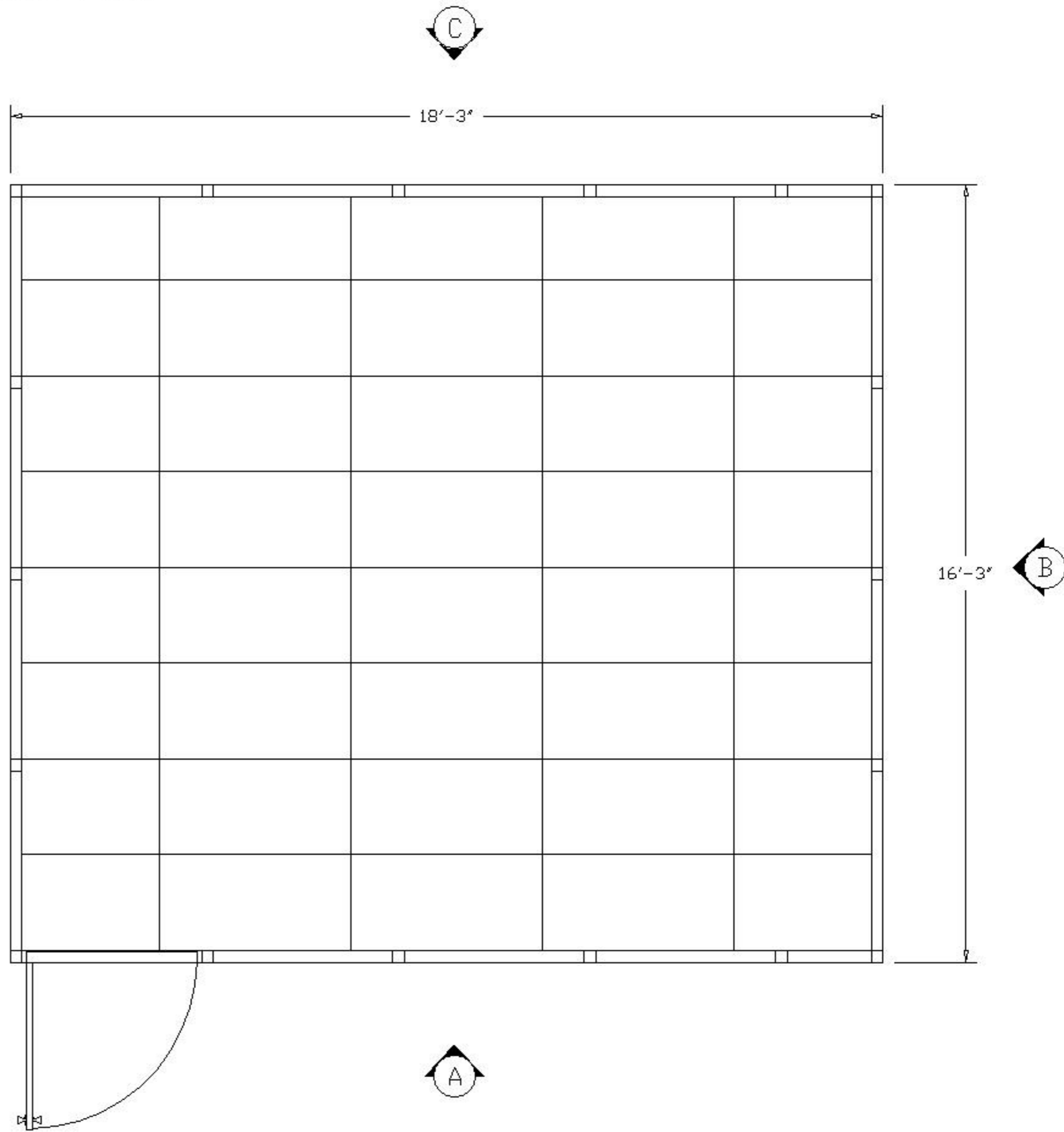
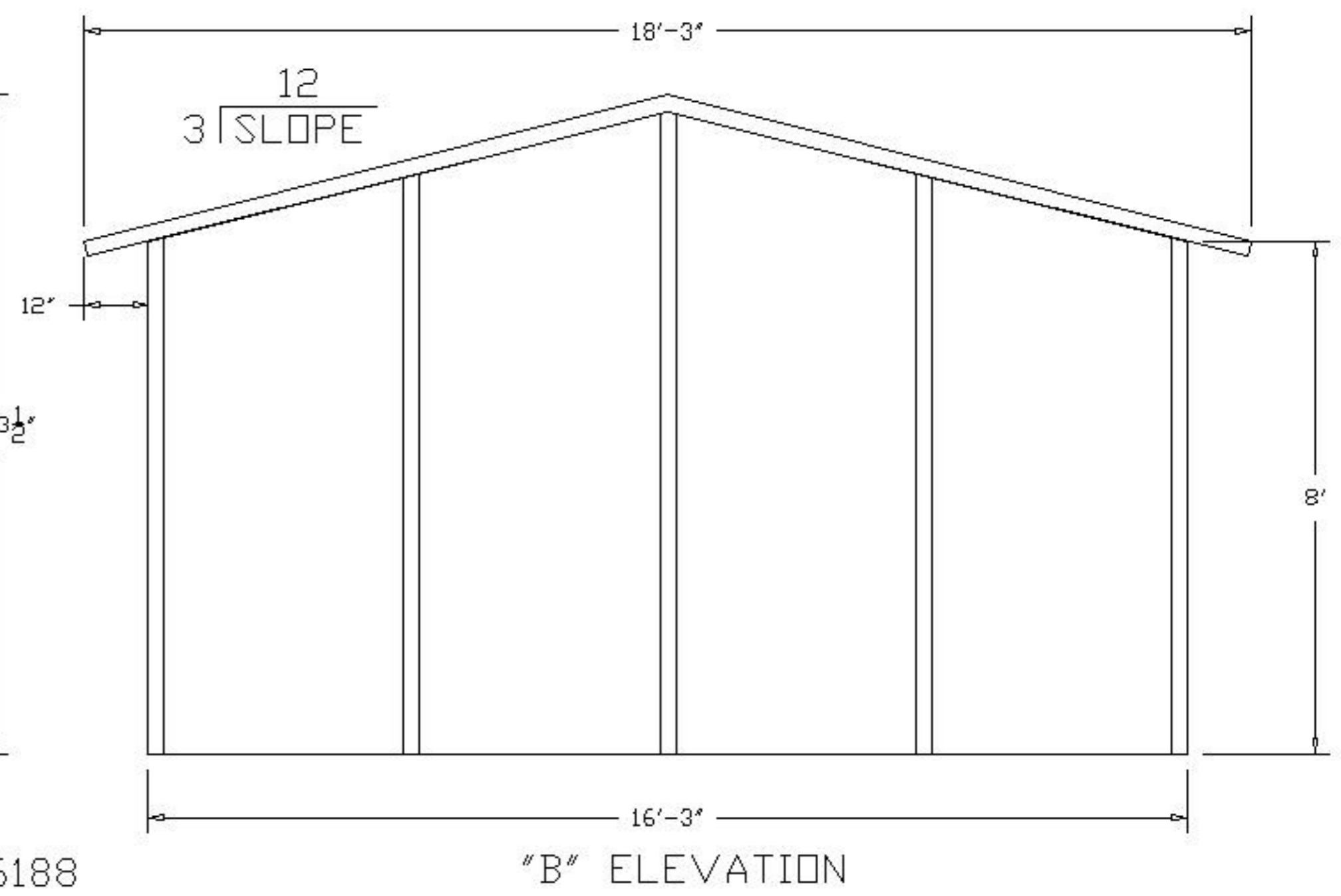
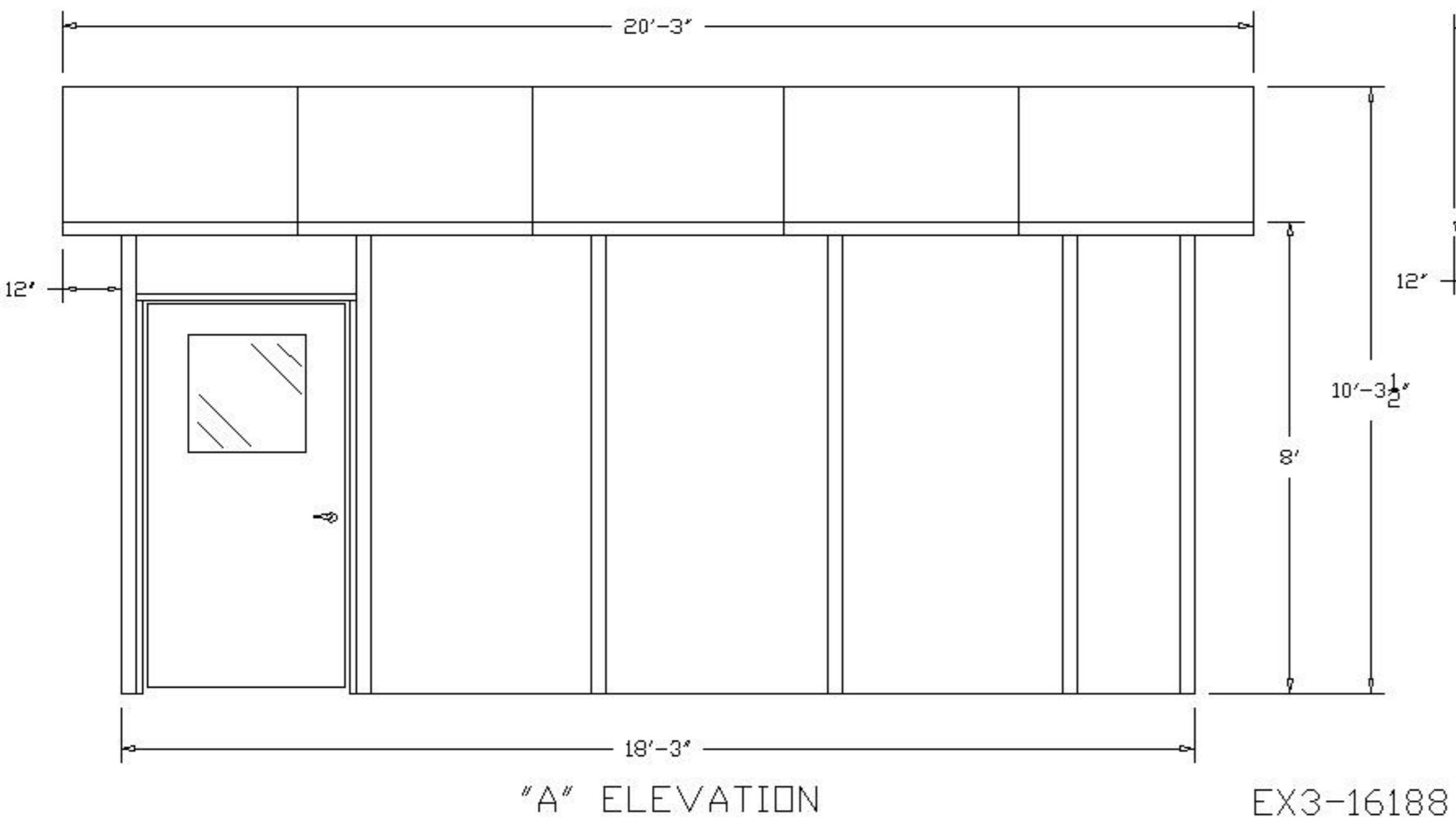


PLEASE MARK DESIRED LOCATION OF OPTIONS
 SHOWN IN LEGEND ON FLOOR PLAN
 EX3-16188




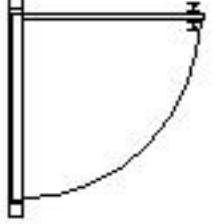

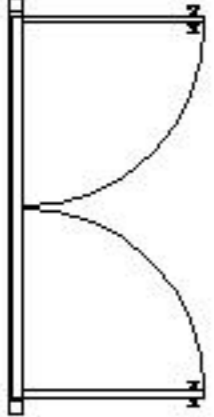
DESCRIPTION	SYMBOL	DESIGNATION
208V OUTLET =	⊕	⊕
TYP. EMERGENCY FLOOD LIGHTS =	⊕	E/L
120V DUPLEX OUTLET =	⊕	⊕
LIGHT SWITCH =	\$	\$
MAIN PANEL =	PNL	PNL
TYP. 2' X 4' LAY IN 4 TUBE LIGHT FIXTURE =	⊕	L/F
THRU WALL HVAC UNIT =	HVAC	HVAC

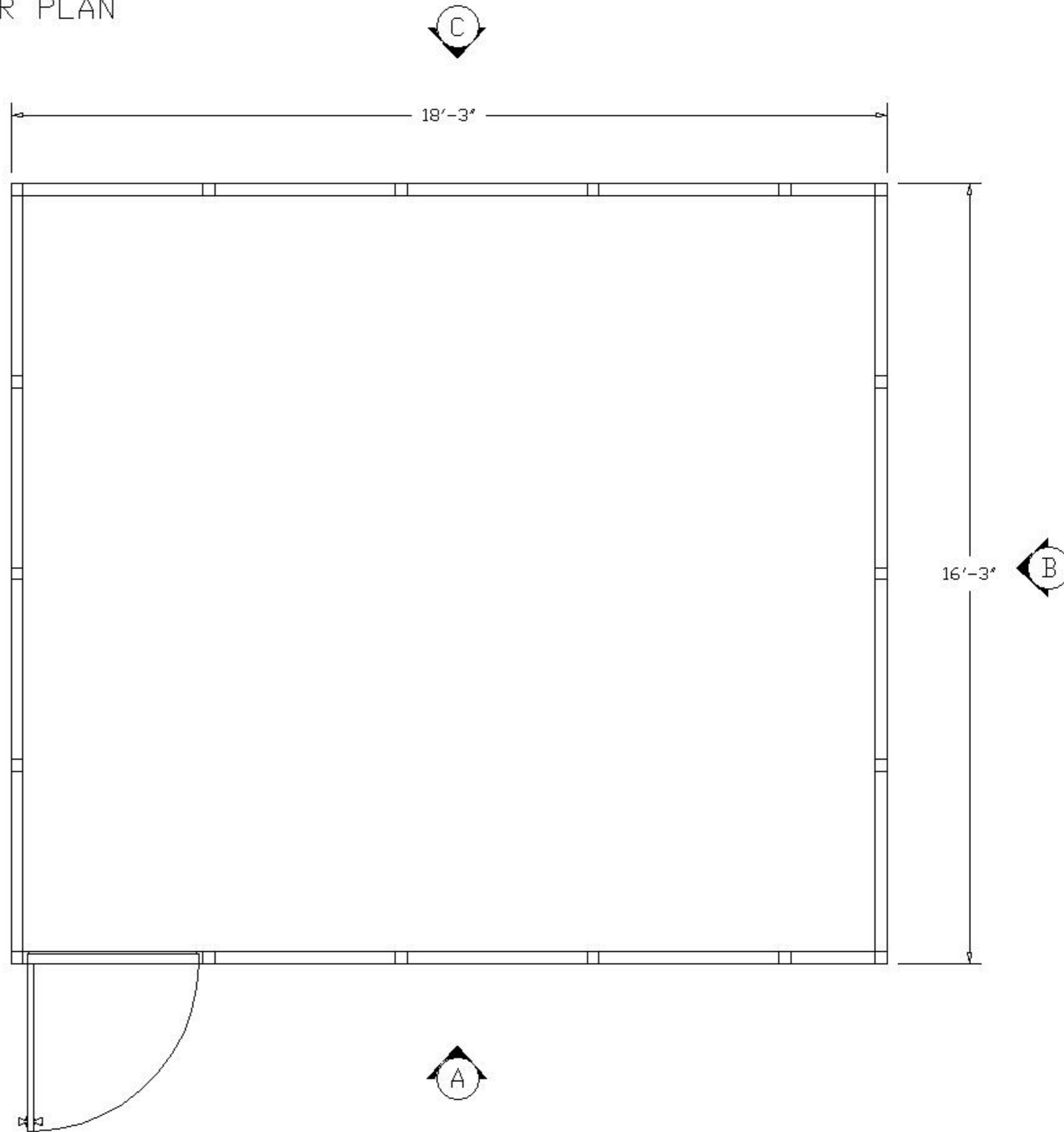




PLEASE MARK DESIRED LOCATION OF OPTIONS
SHOWN IN LEGEND ON FLOOR PLAN

EX3-16188

<u>DESCRIPTION</u>	<u>SYMBOL</u>	<u>DESIGNATION</u>
WINDOW PANEL =		= W/P
SLIDING WINDOW PANEL =		= SW/P
SOLID PANEL =		= S/P
42" X 80" DOOR W/ 2' X 2' WINDOW =		= D/L 
DOUBLE DOOR W/ 2' X 2' WINDOW =		= DD/L



PLEASE MARK DESIRED LOCATION OF OPTIONS
SHOWN IN LEGEND ON FLOOR PLAN

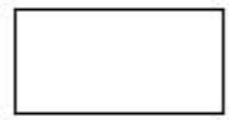
EX3-16188

DESCRIPTION

SYMBOL

DESIGNATION

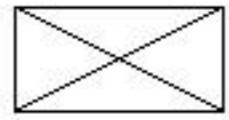
TYP. 2'X4'X5/8"
MINERAL BOARD =
CEILING TILE



=

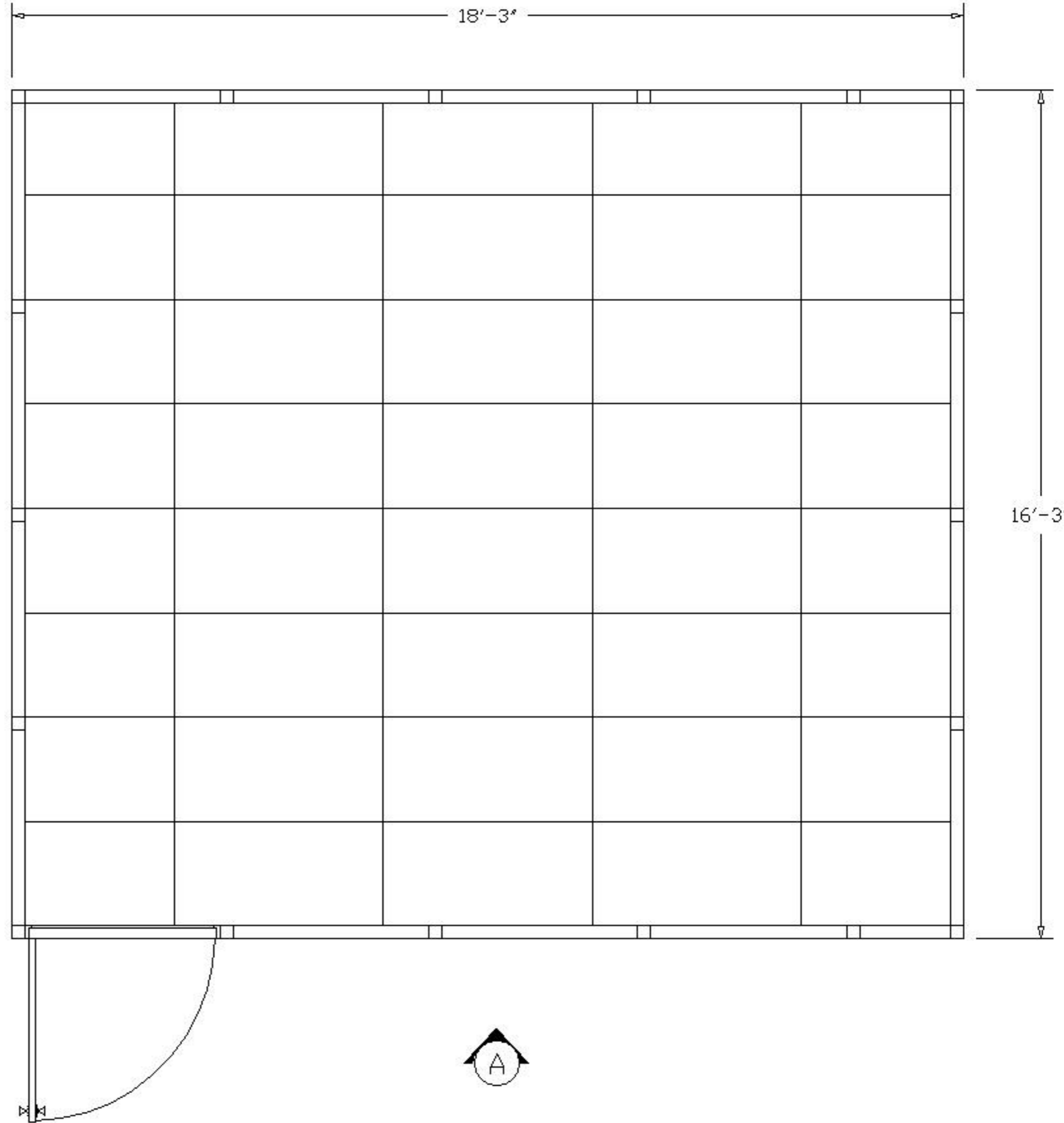
C/T

TYP. 2' X 4'
LAY IN 4 TUBE =
LIGHT FIXTURE



=

L/F



18'-3"

16'-3"

