

PLEASE MARK DESIRED LOCATION OF OPTIONS
 SHOWN IN LEGEND ON FLOOR PLAN
 EX3-8108

DESCRIPTION

SYMBOL

DESIGNATION

120V DUPLEX
 OUTLET

=

⌀

=

⌀

LIGHT SWITCH

=

\$

=

\$

MAIN PANEL

=

PNL

=

PNL

TYP. 2' 2-TUBE
 SURFACE MOUNT
 LIGHT FIXTURE

=

⊠

=

L/F

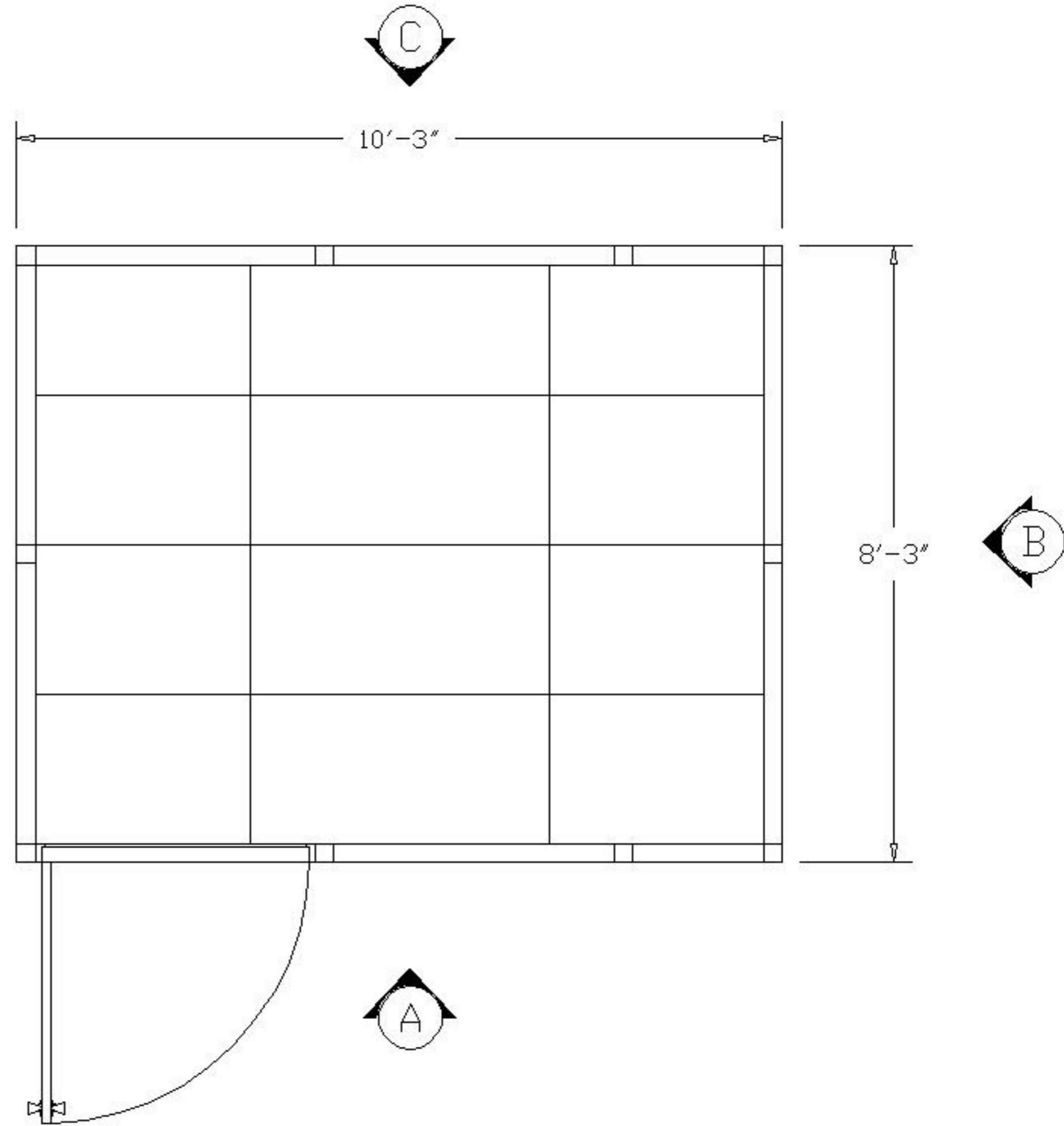
THRU WALL
 HVAC UNIT

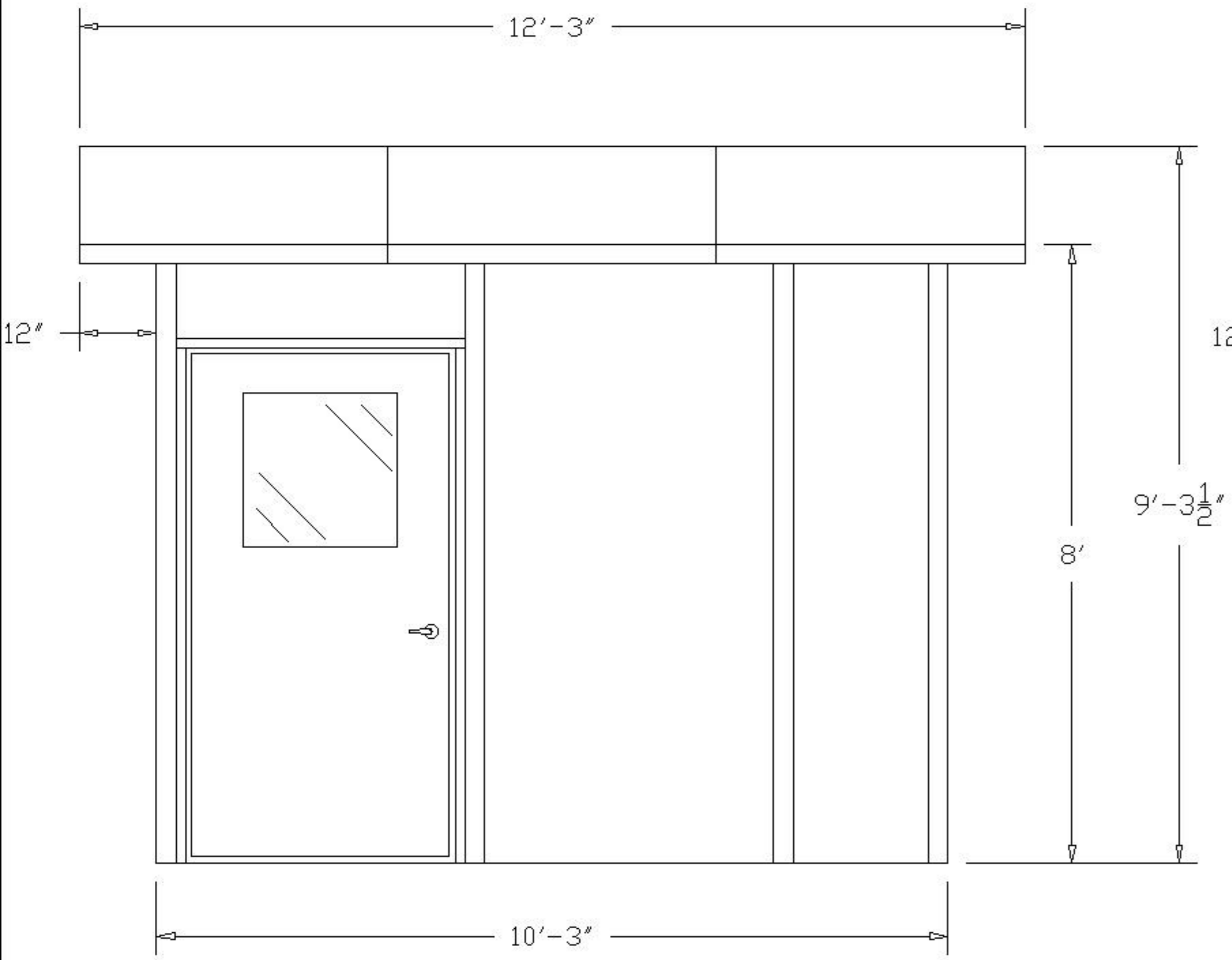
=

HVAC

=

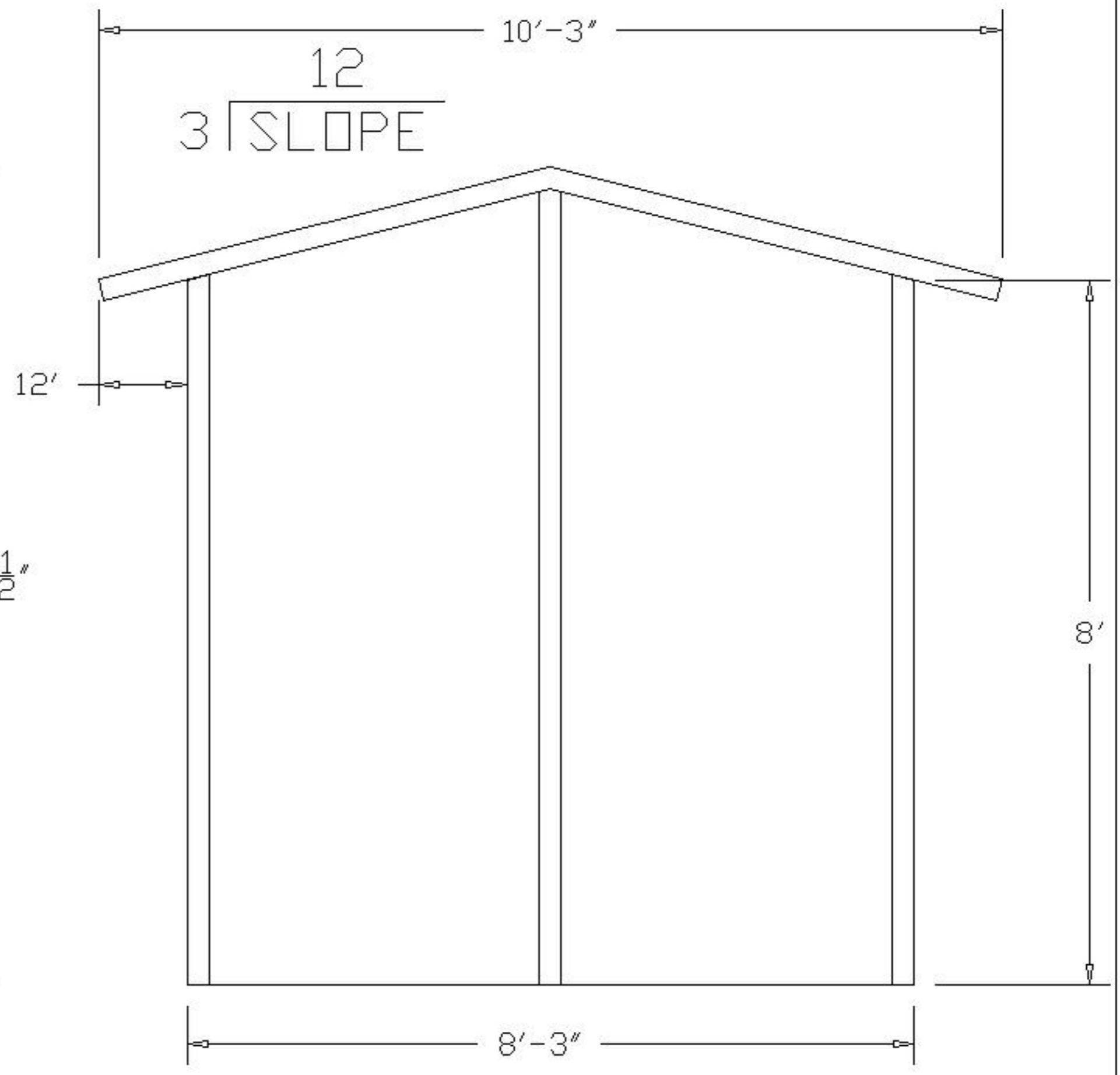
HVAC





"A" ELEVATION




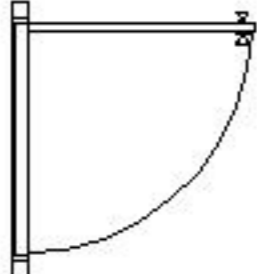
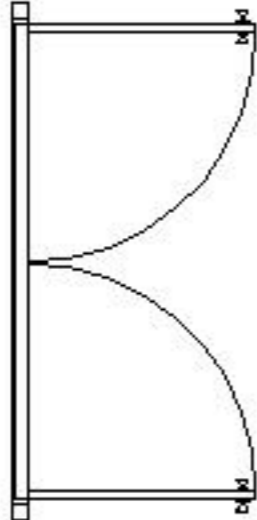
EX3-8108

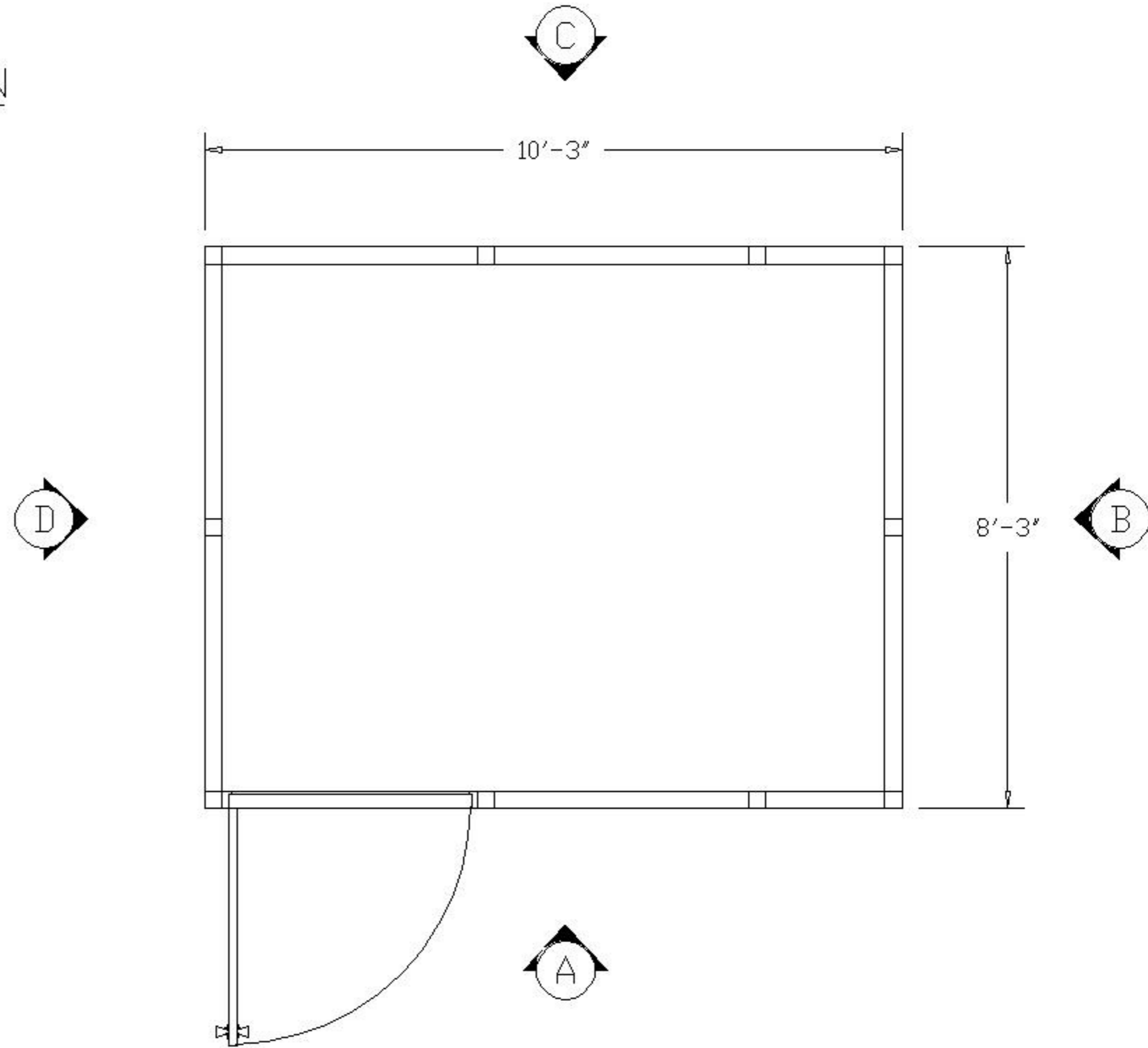


"B" ELEVATION

PLEASE MARK DESIRED LOCATION OF OPTIONS
SHOWN IN LEGEND ON FLOOR PLAN

EX3-8108

<u>DESCRIPTION</u>	<u>SYMBOL</u>	<u>DESIGNATION</u>
WINDOW PANEL =		= W/P
SLIDING WINDOW PANEL =		= SW/P
SOLID PANEL =		= S/P
42" X 80" DOOR W/ 2' X 2' WINDOW =		= D/L
DOUBLE DOOR W/ 2' X 2' WINDOW =		= DD/L



PLEASE MARK DESIRED LOCATION OF OPTIONS
 SHOWN IN LEGEND ON FLOOR PLAN

EX3-8108

DESCRIPTION

SYMBOL

DESIGNATION

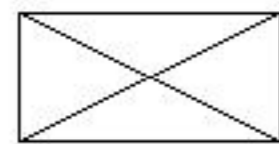
TYP. 2'X4'x5/8"
 MINERAL BOARD =
 CEILING TILE



=

C/T

TYP. 2' X 4'
 LAY IN 4 TUBE =
 LIGHT FIXTURE



=

L/F

