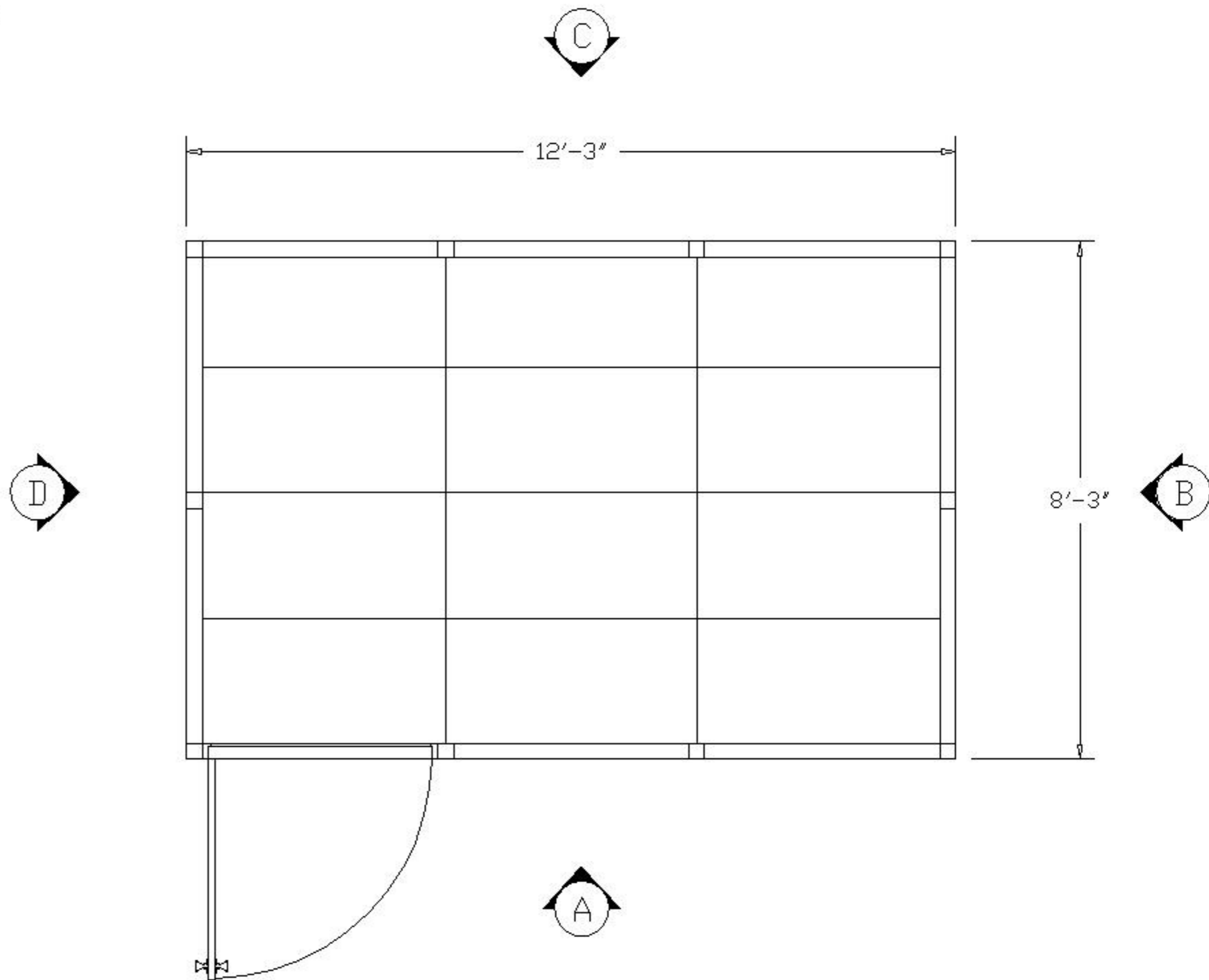
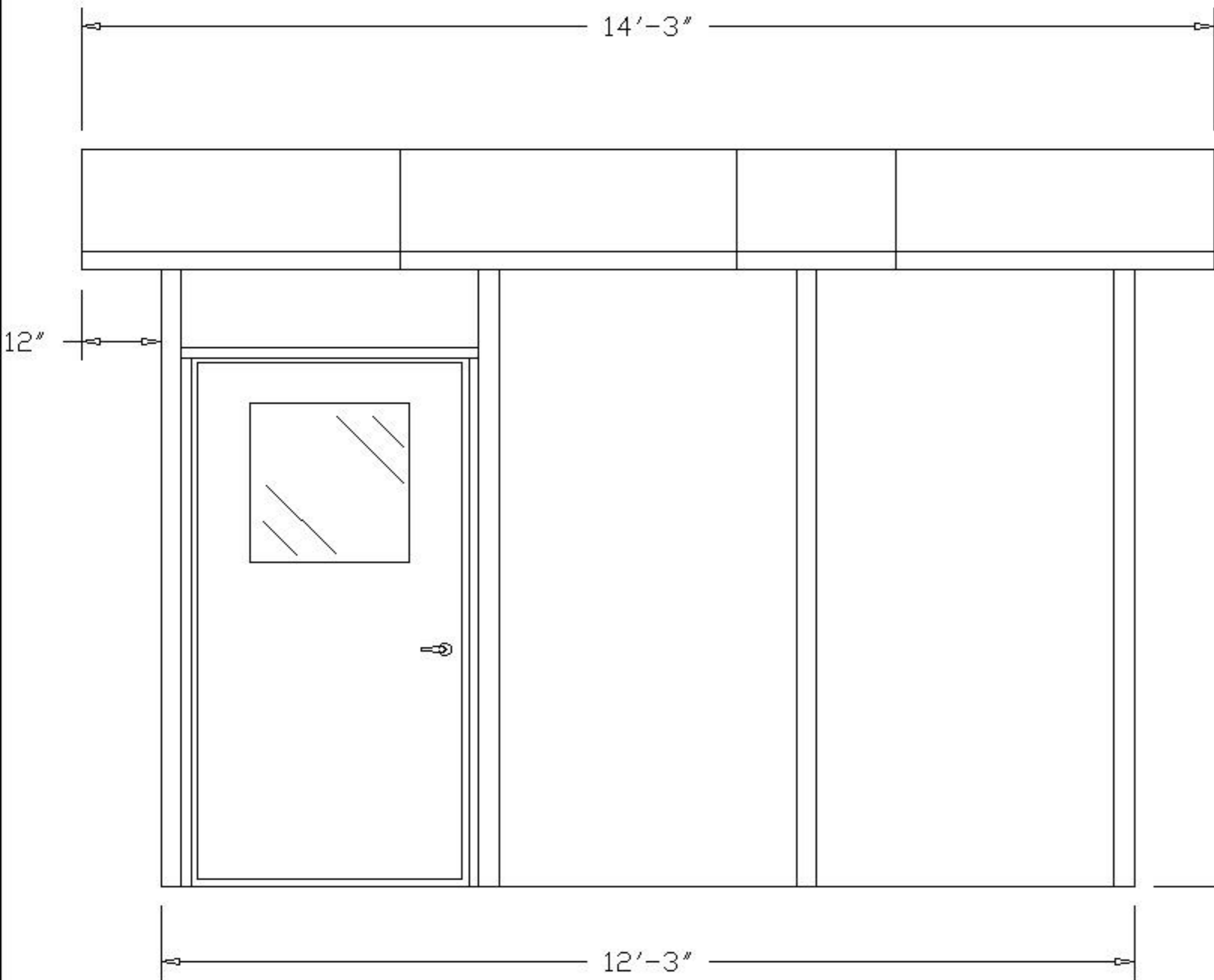


PLEASE MARK DESIRED LOCATION OF OPTIONS
SHOWN IN LEGEND ON FLOOR PLAN
EX3-8128

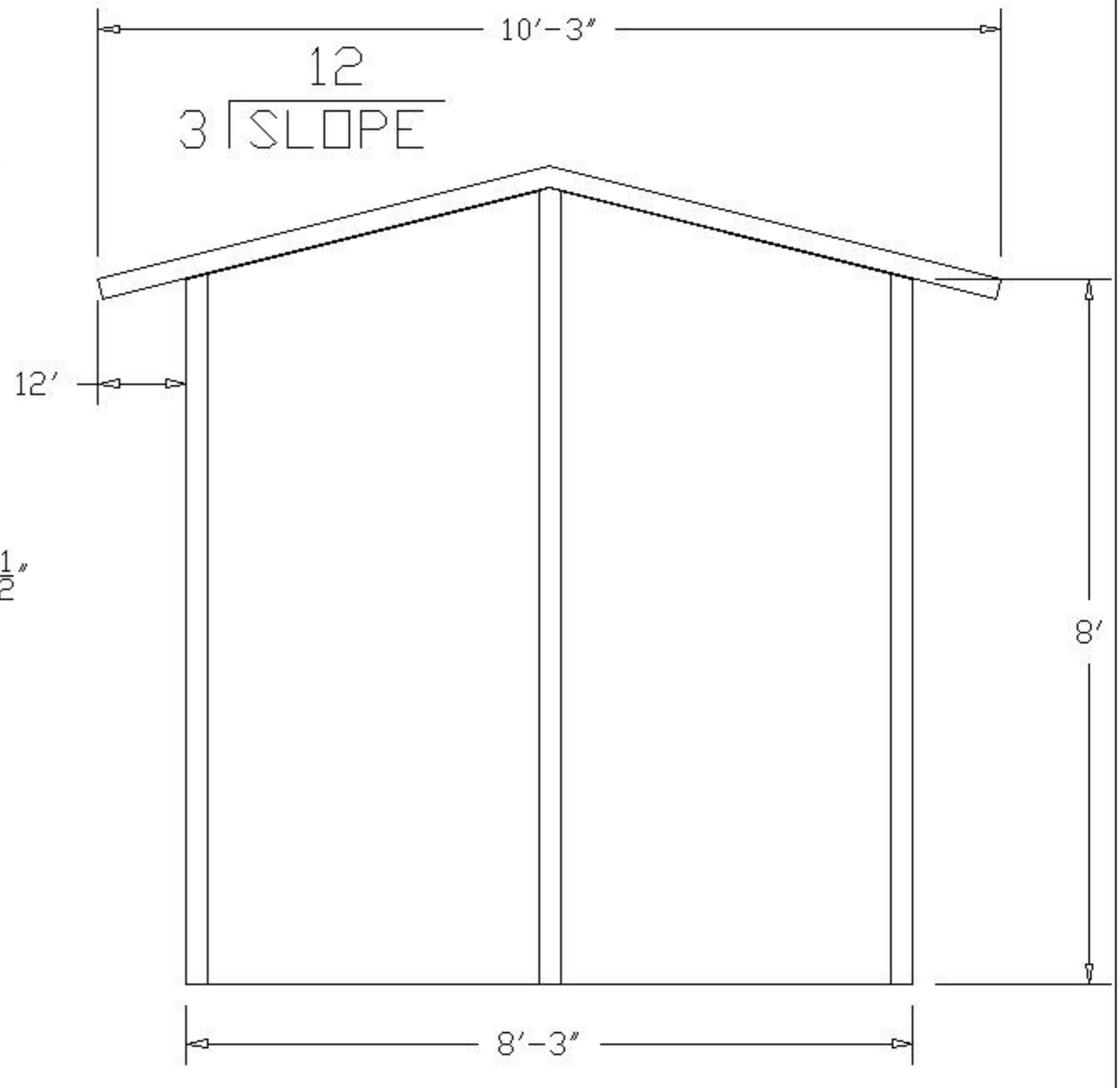
<u>DESCRIPTION</u>	<u>SYMBOL</u>	=	<u>DESIGNATION</u>
208V OUTLET	⊕	=	⊕
TYP. EMERGENCY FLOOD LIGHTS	☰	=	E/L
120V DUPLEX OUTLET	⊖	=	⊖
LIGHT SWITCH	\$	=	\$
MAIN PANEL	PNL	=	PNL
TYP. 2' X 4' LAY IN 4 TUBE LIGHT FIXTURE	⊠	=	L/F
THRU WALL HVAC UNIT	HVAC	=	HVAC







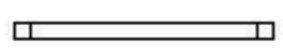
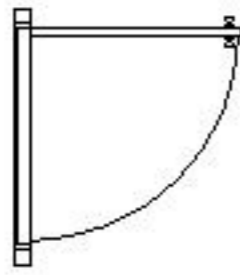
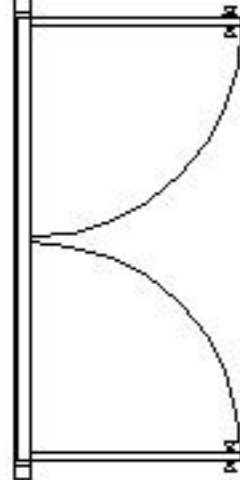
"A" ELEVATION

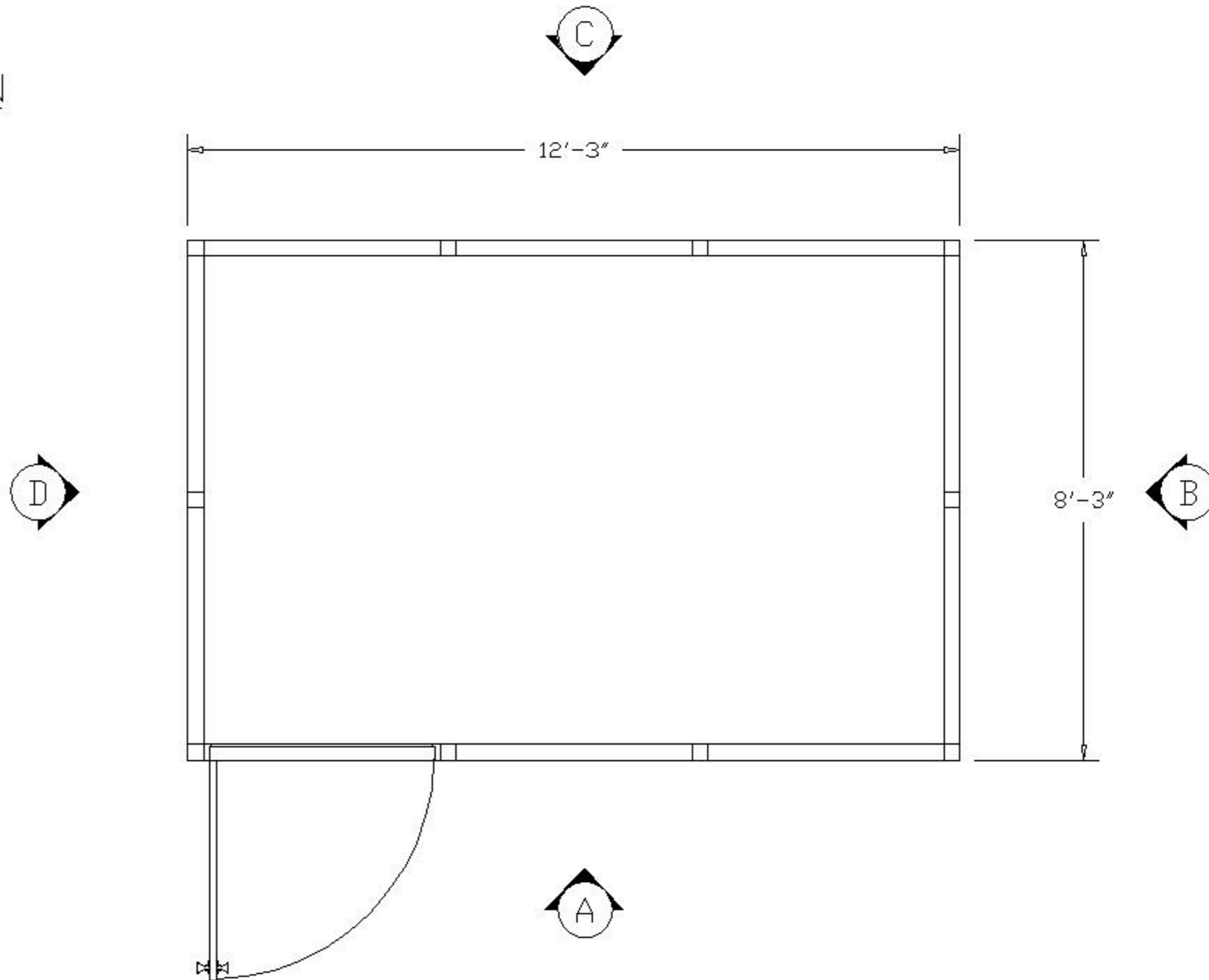
EX3-8128



"B" ELEVATION

PLEASE MARK DESIRED LOCATION OF OPTIONS
 SHOWN IN LEGEND ON FLOOR PLAN
 EX3-8128

<u>DESCRIPTION</u>	<u>SYMBOL</u>	<u>DESIGNATION</u>
WINDOW PANEL =		= W/P
SLIDING WINDOW PANEL =		= SW/P
SOLID PANEL =		= S/P
42" X 80" DOOR W/ 2' X 2' WINDOW =		= D/L
DOUBLE DOOR W/ 2' X 2' WINDOW =		= DD/L



PLEASE MARK DESIRED LOCATION OF OPTIONS
 SHOWN IN LEGEND ON FLOOR PLAN
 EX3-8128

DESCRIPTION

SYMBOL

DESIGNATION

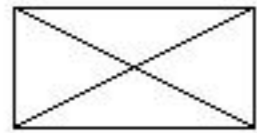
TYP. 2'X4'x5/8"
 MINERAL BOARD =
 CEILING TILE



=

C/T

TYP. 2' X 4'
 LAY IN 4 TUBE =
 LIGHT FIXTURE



=

L/F

