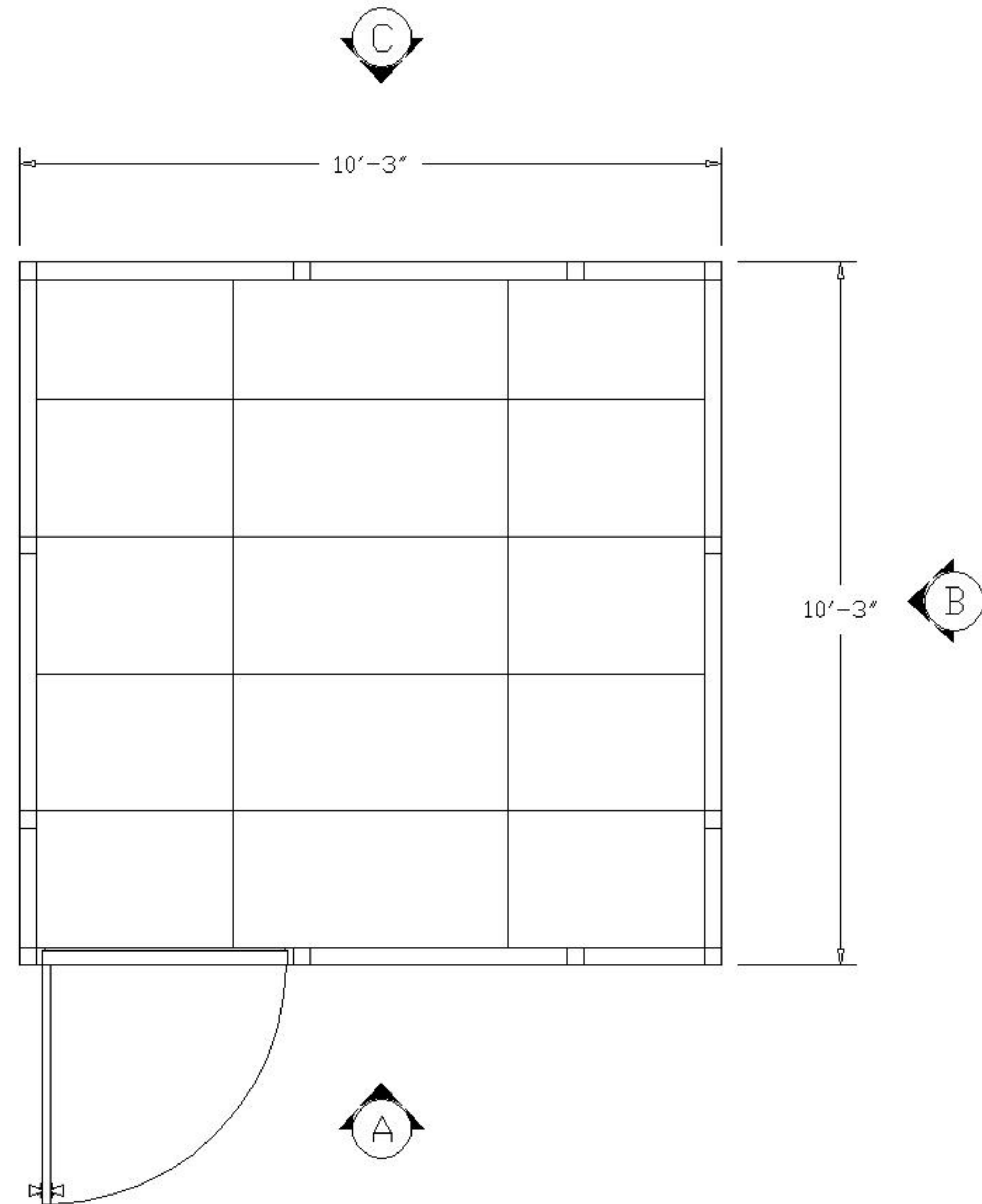
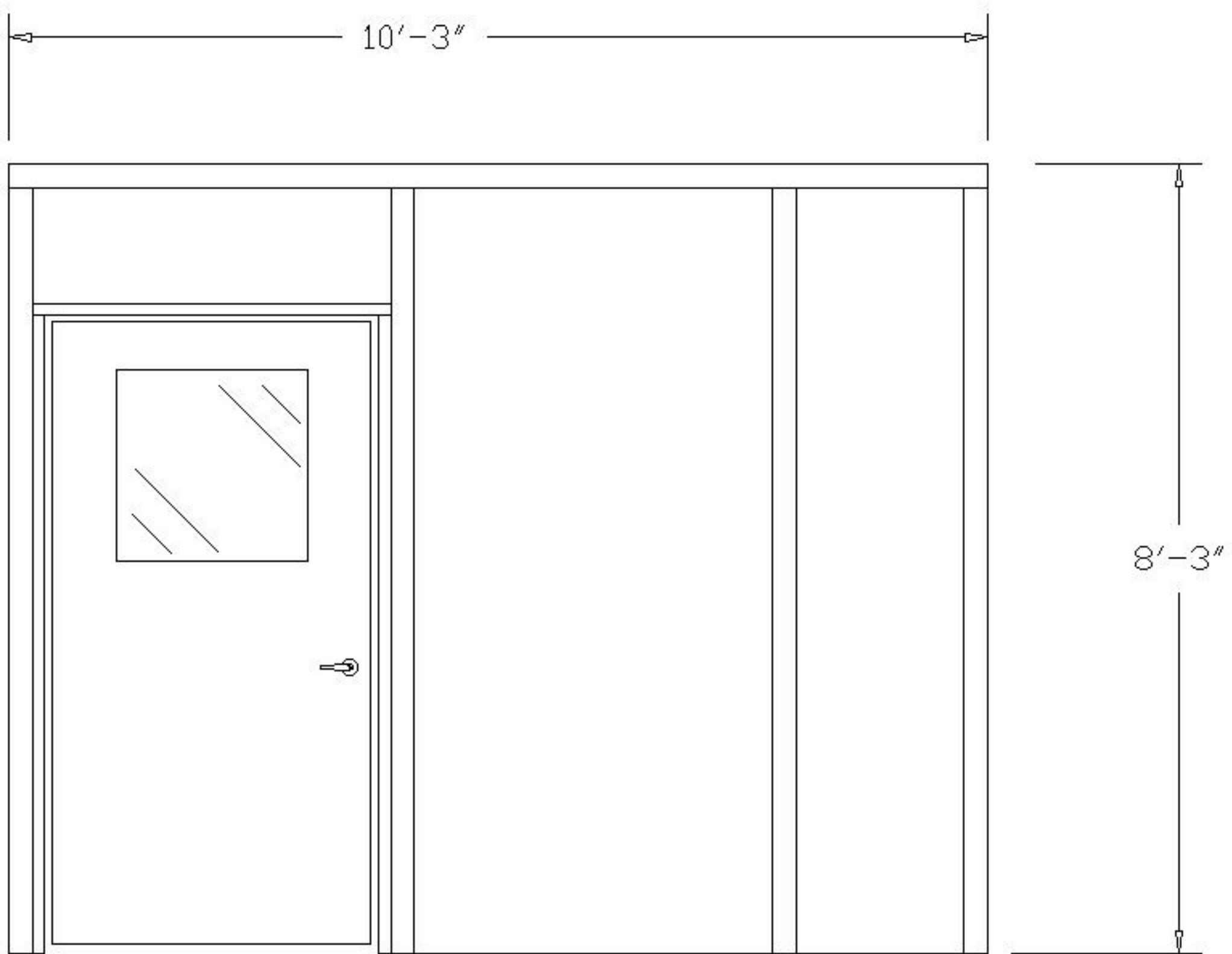


PLEASE MARK DESIRED LOCATION OF OPTIONS  
 SHOWN IN LEGEND ON FLOOR PLAN  
 IP3-10108

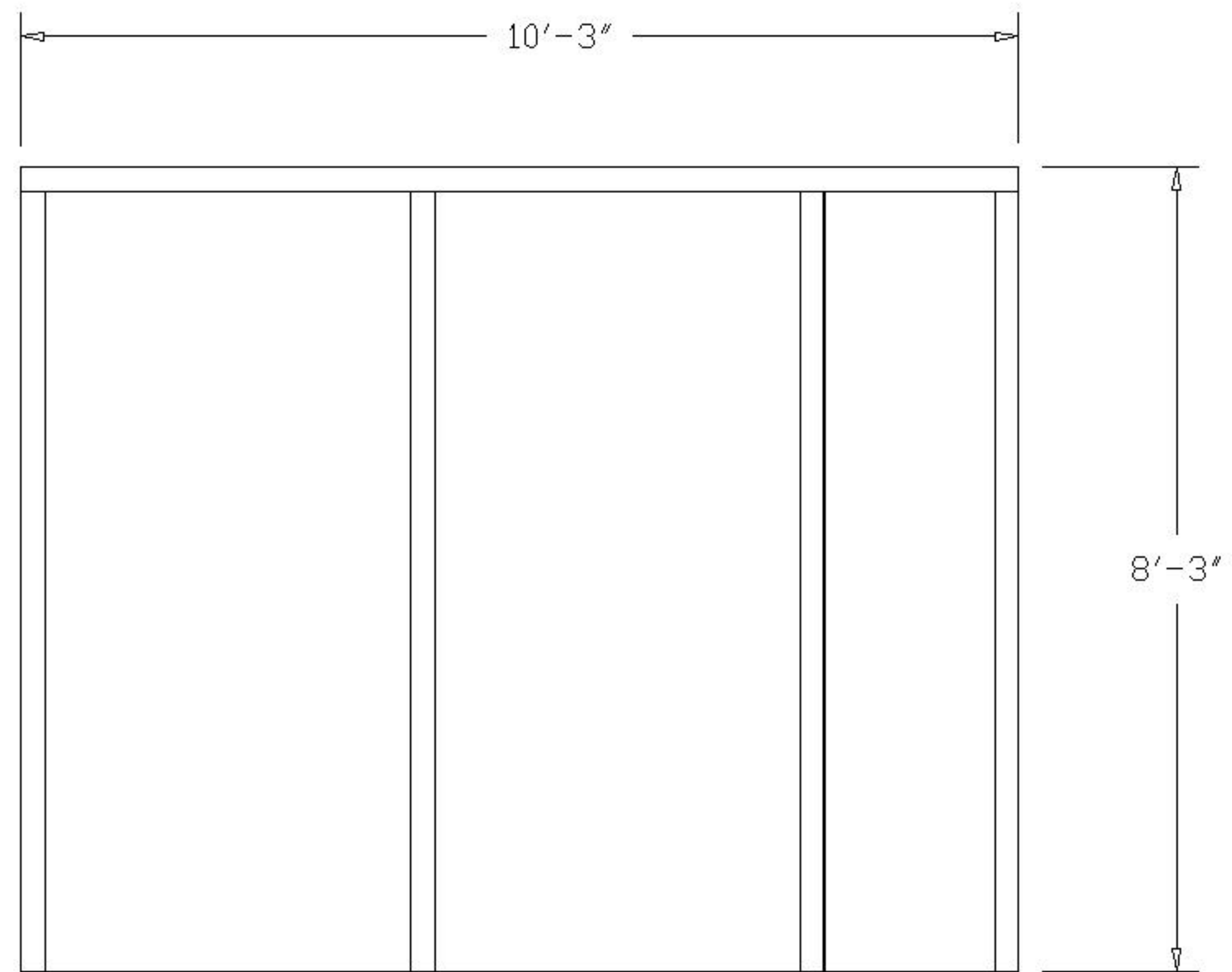
<u>DESCRIPTION</u>	<u>SYMBOL</u>	<u>DESIGNATION</u>
208V OUTLET	⊕	⊕
TYP. EMERGENCY FLOOD LIGHTS		E/L
120V DUPLEX OUTLET	⊕	⊕
LIGHT SWITCH	\$	\$
MAIN PANEL		
TYP. 2' X 4' LAY IN 4 TUBE LIGHT FIXTURE		L/F
THRU WALL HVAC UNIT		





"A" ELEVATION

IP3-10108



"B" ELEVATION

PLEASE MARK DESIRED LOCATION OF OPTIONS  
 SHOWN IN LEGEND ON FLOOR PLAN

IP3-10108

DESCRIPTION

SYMBOL

DESIGNATION

WINDOW PANEL

=



=

W/P

SLIDING WINDOW  
 PANEL

=

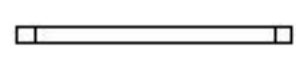


=

SW/P

SOLID PANEL

=

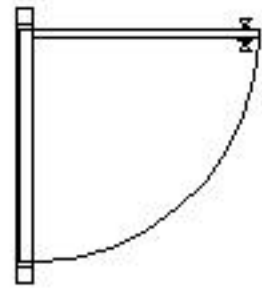


=

S/P

42" X 80" DOOR  
 W/ 2' X 2'  
 WINDOW

=



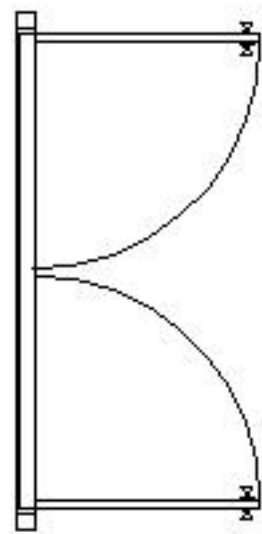
=

D/L



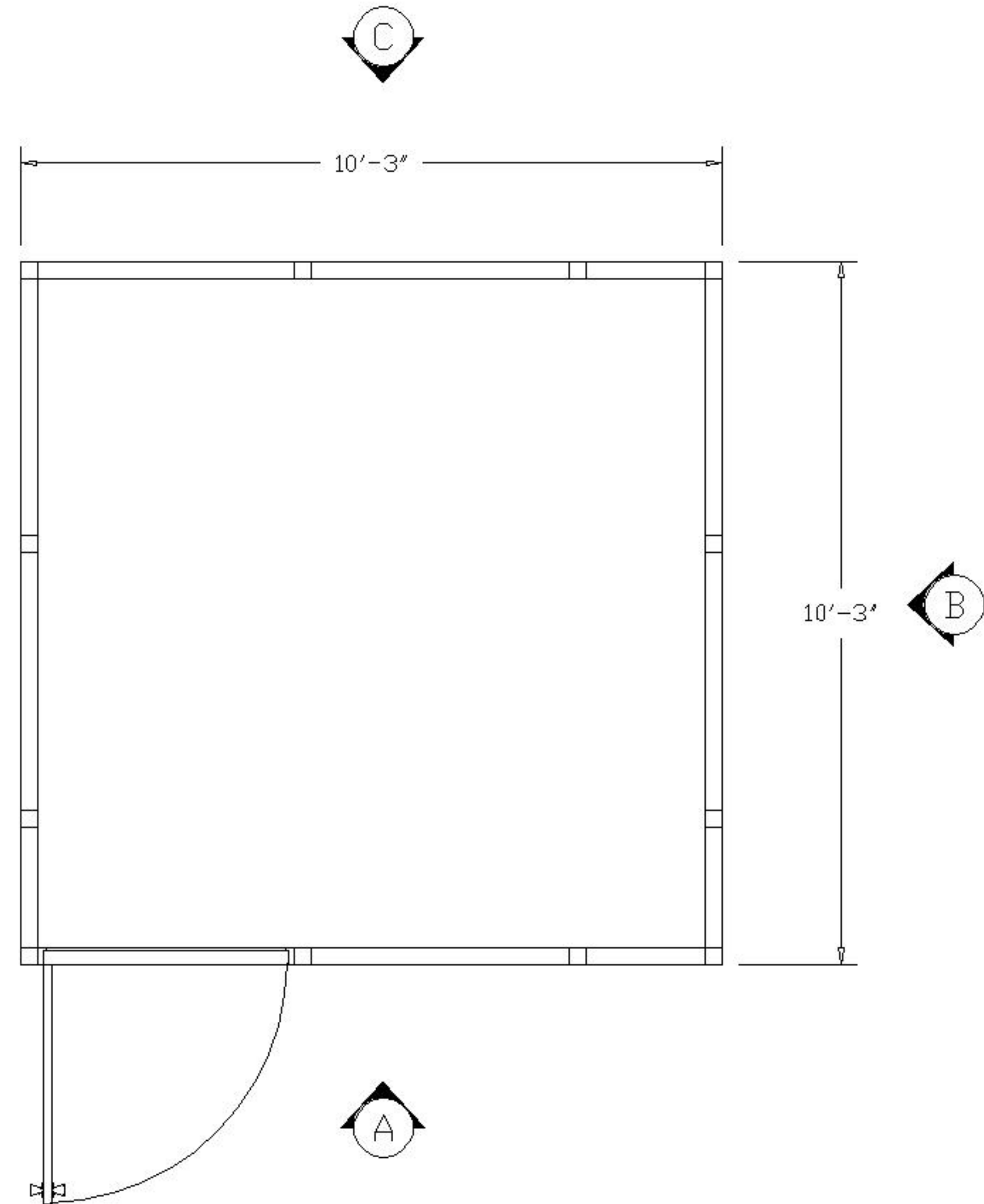
DOUBLE DOOR  
 W/ 2' X 2'  
 WINDOW

=



=

DD/L



PLEASE MARK DESIRED LOCATION OF OPTIONS  
 SHOWN IN LEGEND ON FLOOR PLAN

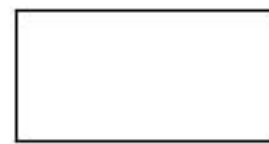
IP3-10108

DESCRIPTION

SYMBOL

DESIGNATION

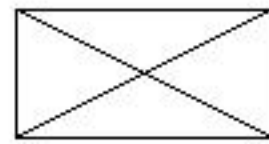
TYP. 2'X4'x5/8"  
 MINERAL BOARD =  
 CEILING TILE



=

C/T

TYP. 2' X 4'  
 LAY IN 4 TUBE =  
 LIGHT FIXTURE



=

L/F

