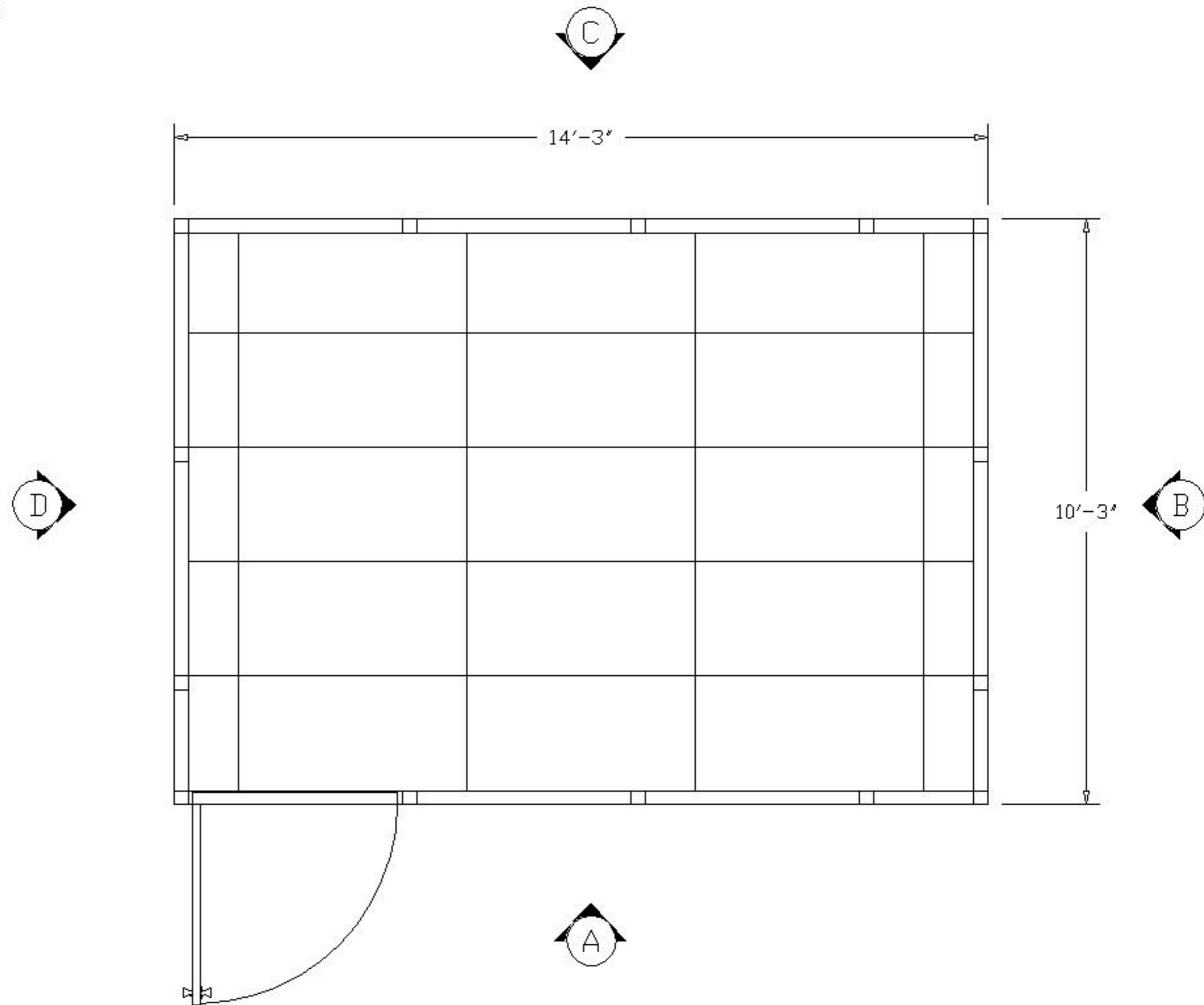
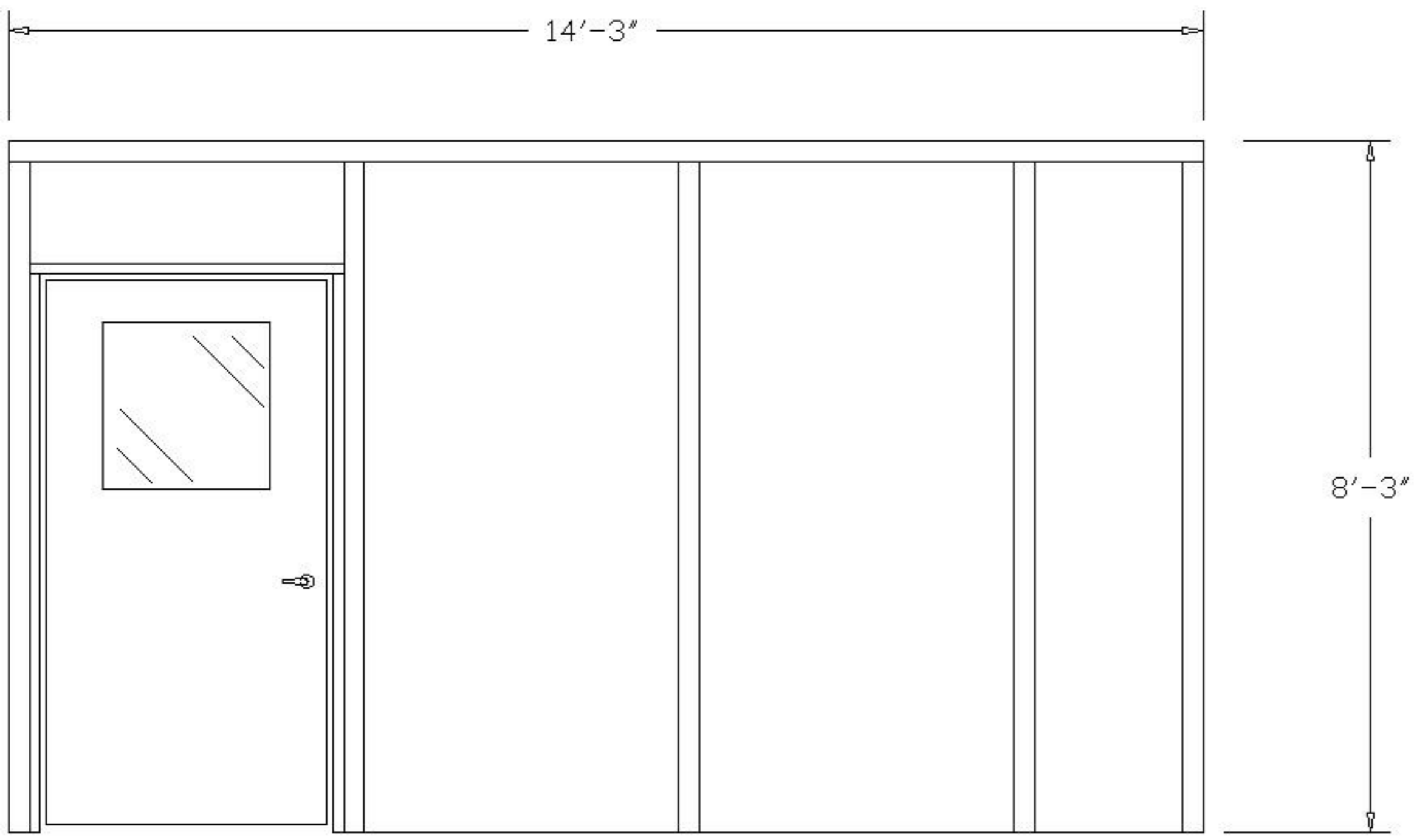


PLEASE MARK DESIRED LOCATION OF OPTIONS  
 SHOWN IN LEGEND ON FLOOR PLAN

IP3-10148

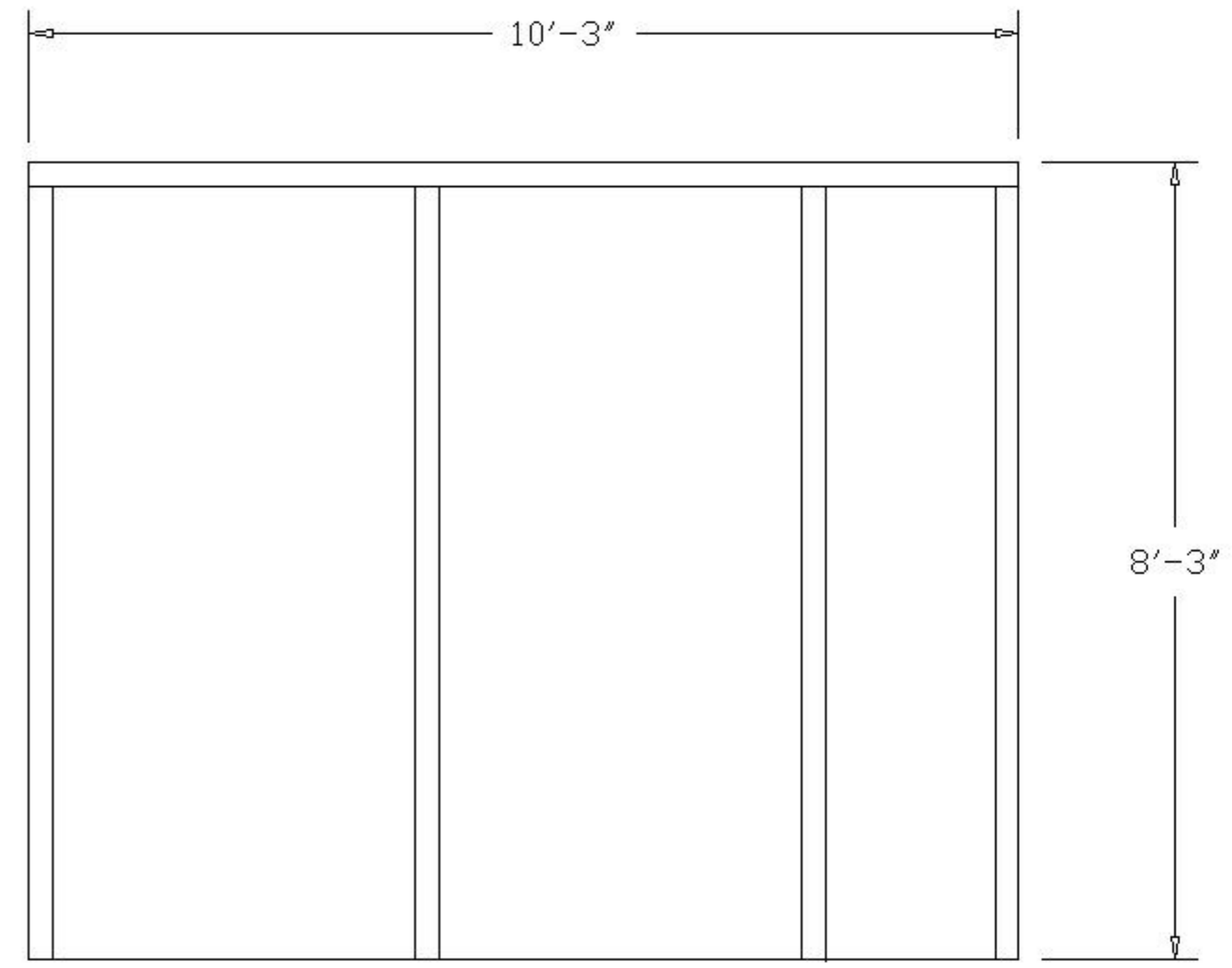
<u>DESCRIPTION</u>	<u>SYMBOL</u>	<u>DESIGNATION</u>
208V OUTLET =	⊕	⊕
TYP. EMERGENCY FLOOD LIGHTS =		E/L
120V DUPLEX OUTLET =	⊕	⊕
LIGHT SWITCH =	\$	\$
MAIN PANEL =		
TYP. 2' X 4' LAY IN 4 TUBE LIGHT FIXTURE =		L/F
THRU WALL HVAC UNIT =		





"A" ELEVATION

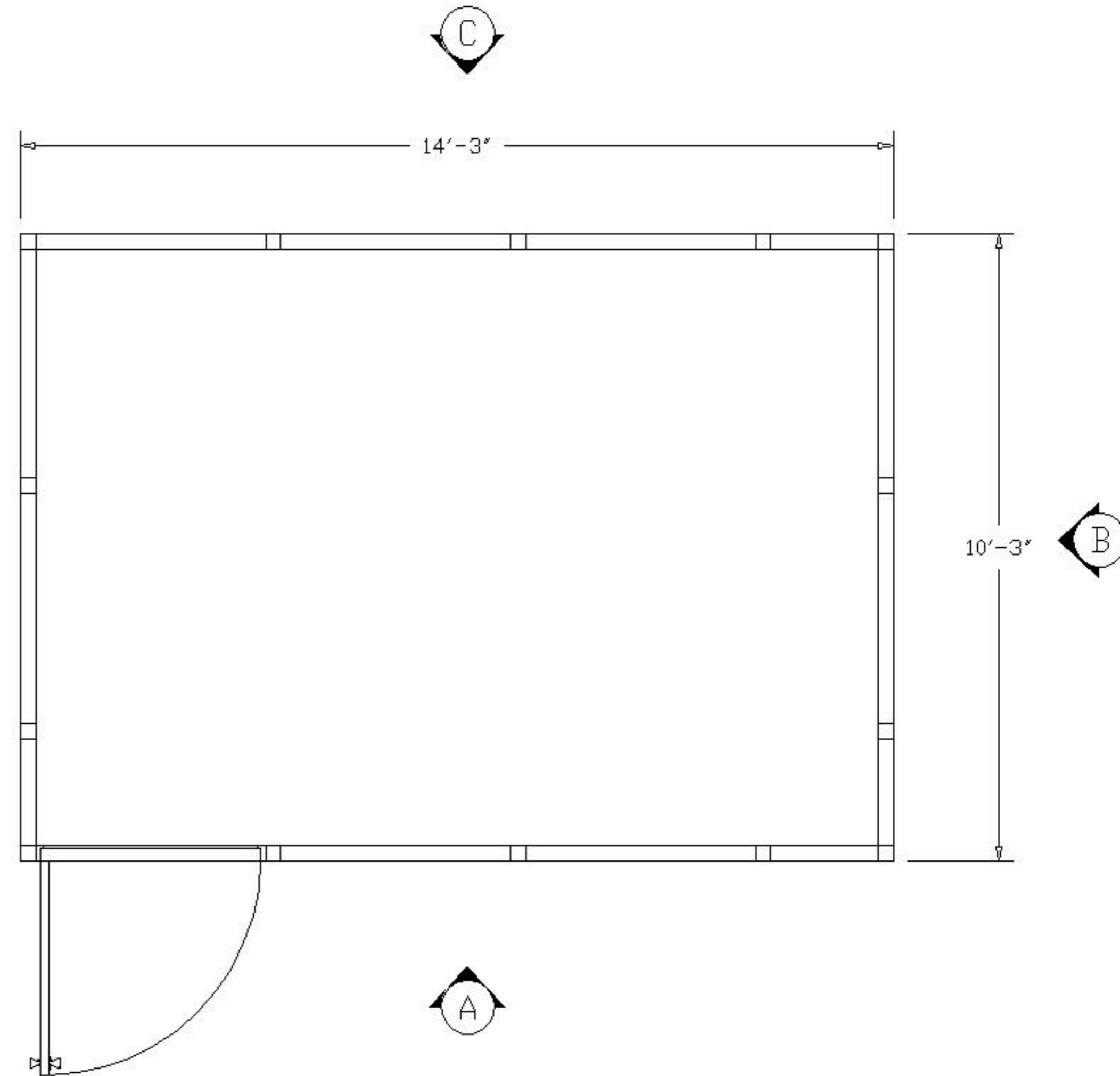
IP3-10148




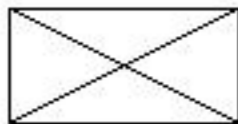
"B" ELEVATION

PLEASE MARK DESIRED LOCATION OF OPTIONS  
 SHOWN IN LEGEND ON FLOOR PLAN  
 IP3-10148

<u>DESCRIPTION</u>	<u>SYMBOL</u>	<u>DESIGNATION</u>
WINDOW PANEL		W/P
SLIDING WINDOW PANEL		SW/P
SOLID PANEL		S/P
42" X 80" DOOR W/ 2' X 2' WINDOW		D/L
DOUBLE DOOR W/ 2' X 2' WINDOW		DD/L



PLEASE MARK DESIRED LOCATION OF OPTIONS  
 SHOWN IN LEGEND ON FLOOR PLAN  
 IP3-10148

<u>DESCRIPTION</u>	<u>SYMBOL</u>	<u>DESIGNATION</u>
TYP. 2'X4'X5/8" MINERAL BOARD = CEILING TILE		= C/T
TYP. 2' X 4' LAY IN 4 TUBE = LIGHT FIXTURE		= L/F

