


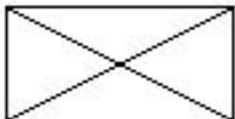


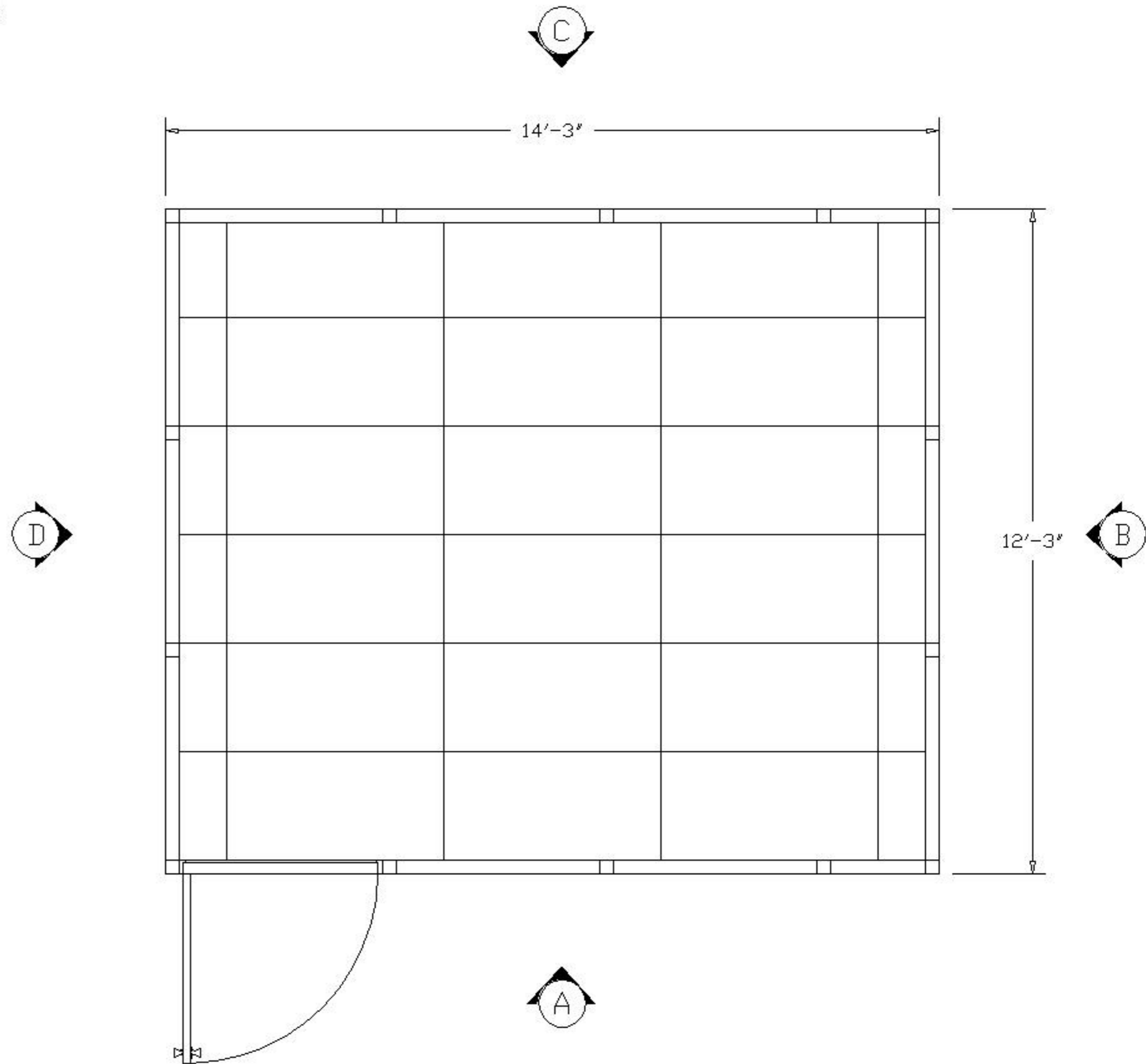
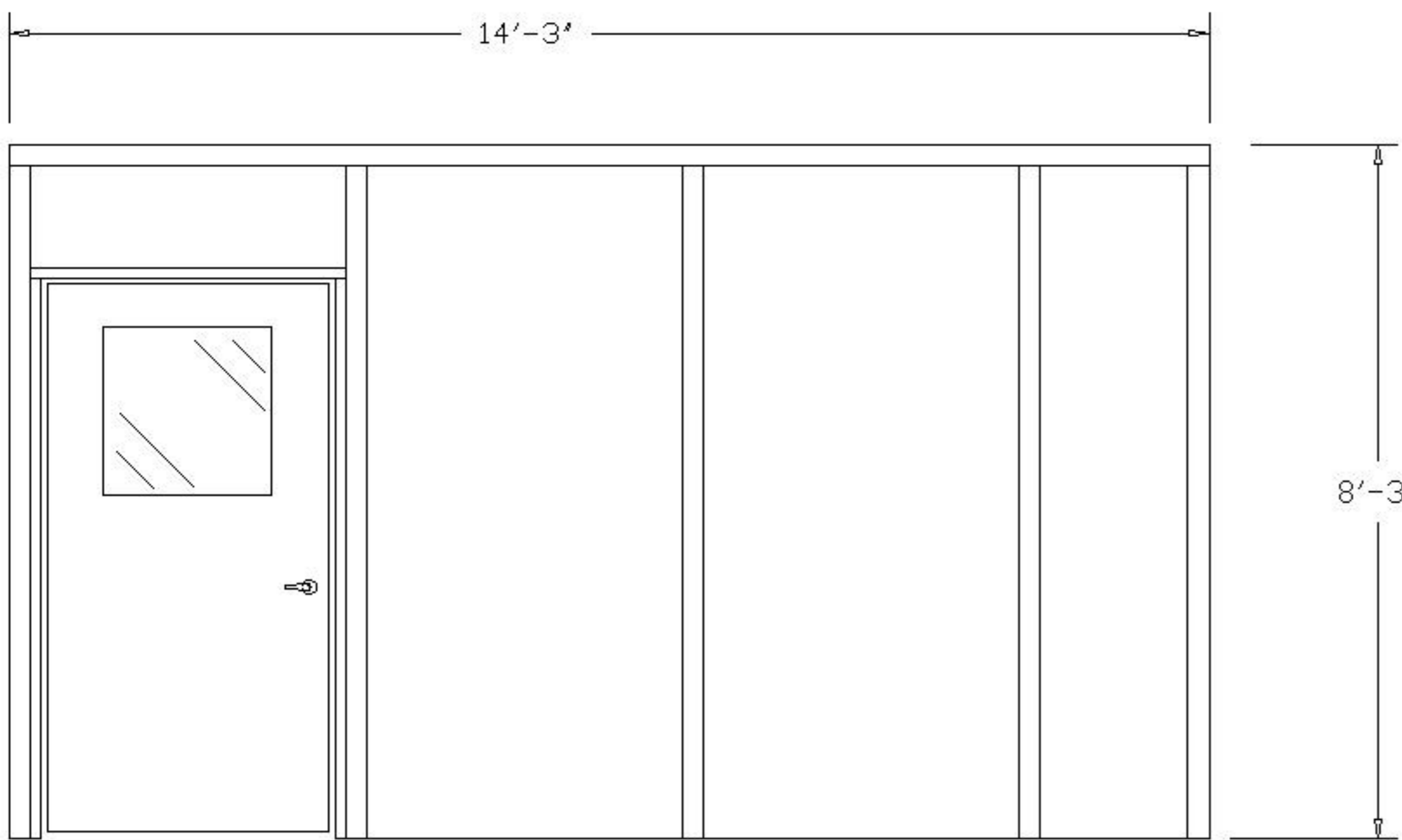


PLEASE MARK DESIRED LOCATION OF OPTIONS
 SHOWN IN LEGEND ON FLOOR PLAN

IP3-12148

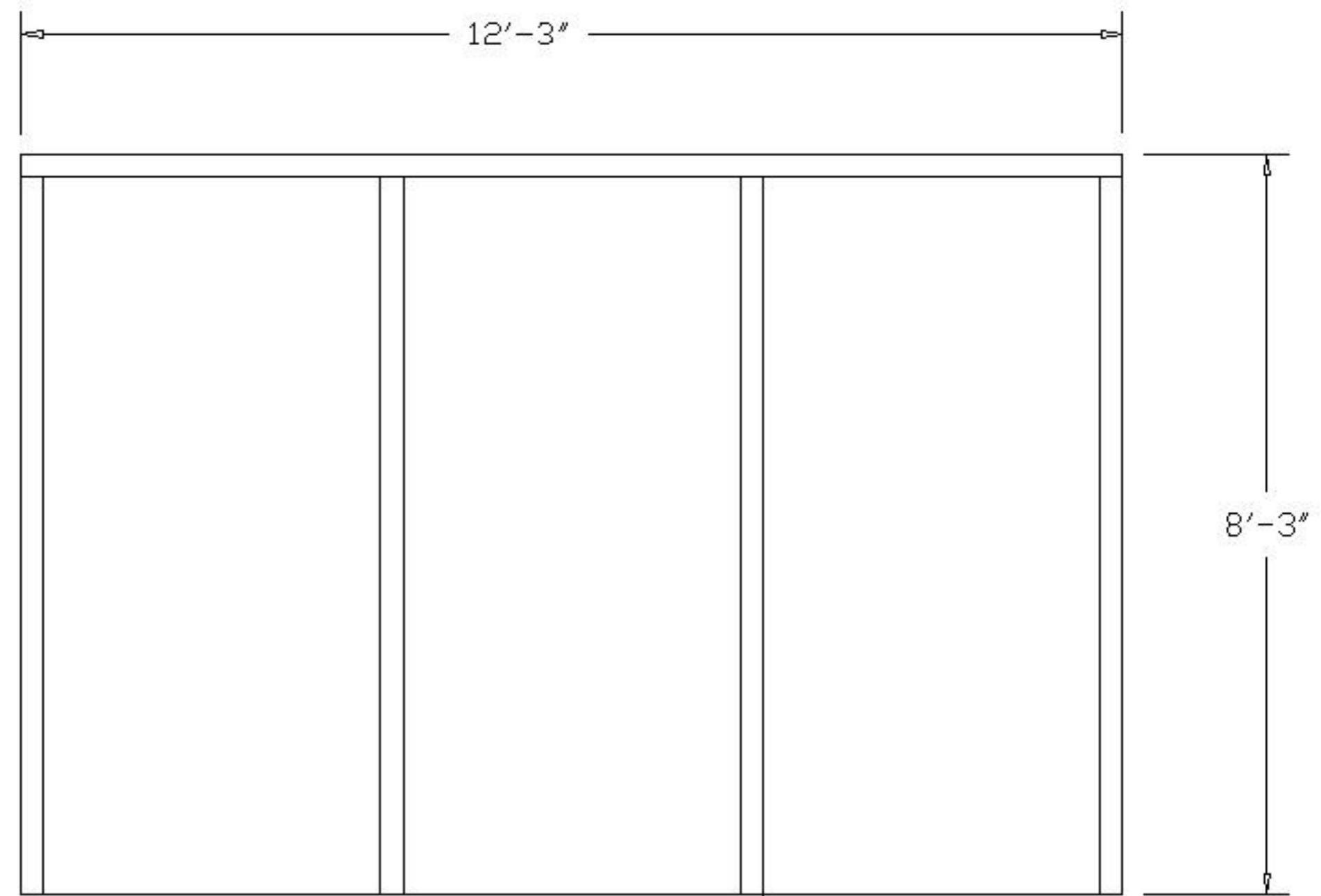
<u>DESCRIPTION</u>	<u>SYMBOL</u>	<u>DESIGNATION</u>
208V OUTLET =	⊕ =	⊕
TYP. EMERGENCY FLOOD LIGHTS =	 =	E/L
120V DUPLEX OUTLET =	⊕ =	⊕
LIGHT SWITCH =	\$ =	\$
MAIN PANEL =	 =	
TYP. 2' X 4' LAY IN 4 TUBE LIGHT FIXTURE =	 =	L/F
THRU WALL HVAC UNIT =	 =	





"A" ELEVATION

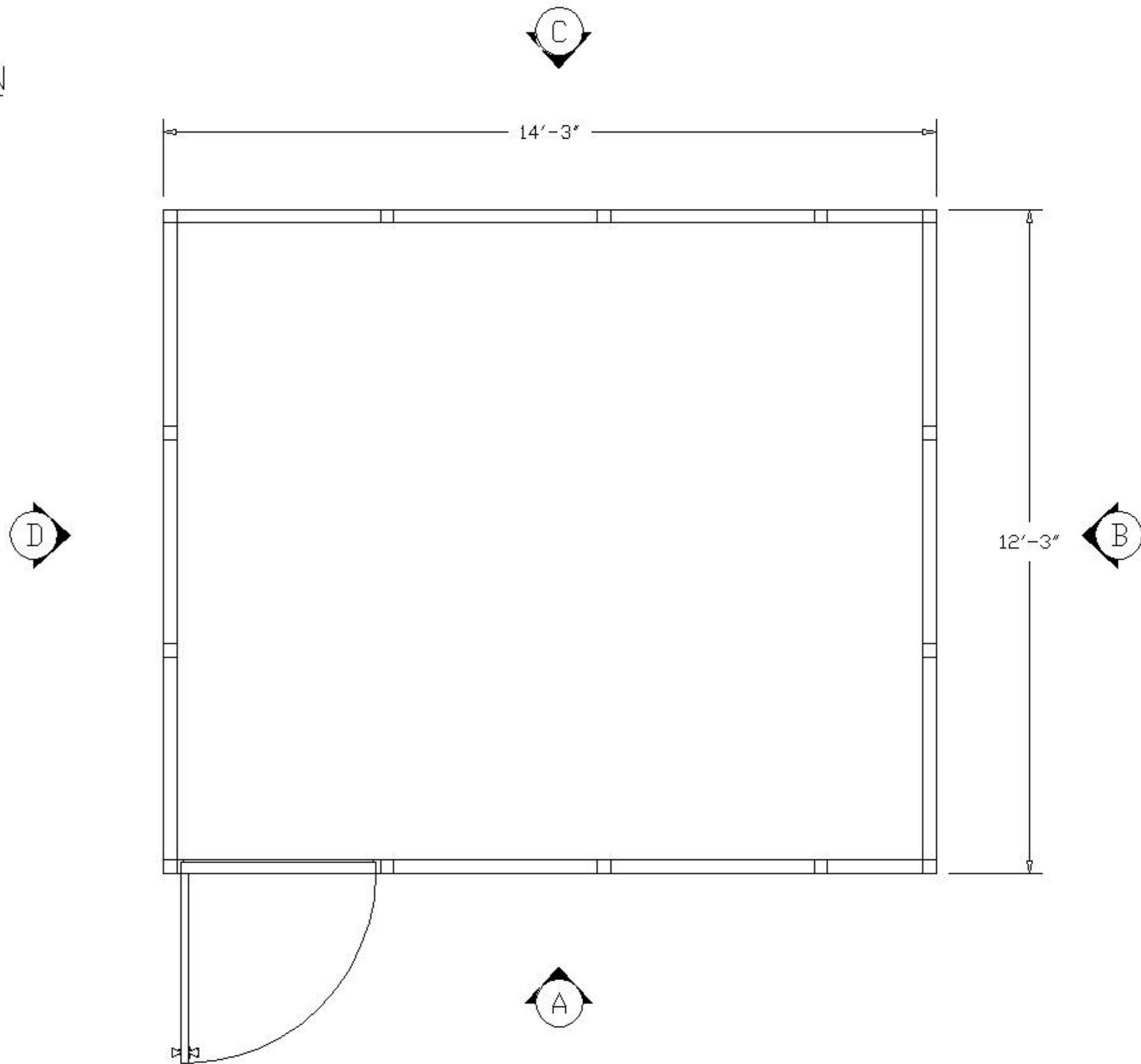
IP3-12148



"B" ELEVATION


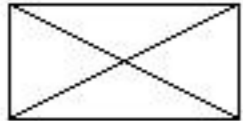
PLEASE MARK DESIRED LOCATION OF OPTIONS
 SHOWN IN LEGEND ON FLOOR PLAN
 IP3-12148

<u>DESCRIPTION</u>	<u>SYMBOL</u>	<u>DESIGNATION</u>
WINDOW PANEL		W/P
SLIDING WINDOW PANEL		SW/P
SOLID PANEL		S/P
42" X 80" DOOR W/ 2' X 2' WINDOW		D/L
DOUBLE DOOR W/ 2' X 2' WINDOW		DD/L



PLEASE MARK DESIRED LOCATION OF OPTIONS
SHOWN IN LEGEND ON FLOOR PLAN

IP3-12148

<u>DESCRIPTION</u>	<u>SYMBOL</u>	<u>DESIGNATION</u>
TYP. 2' X 4' X 5/8" MINERAL BOARD = CEILING TILE		= C/T
TYP. 2' X 4' LAY IN 4 TUBE = LIGHT FIXTURE		= L/F

