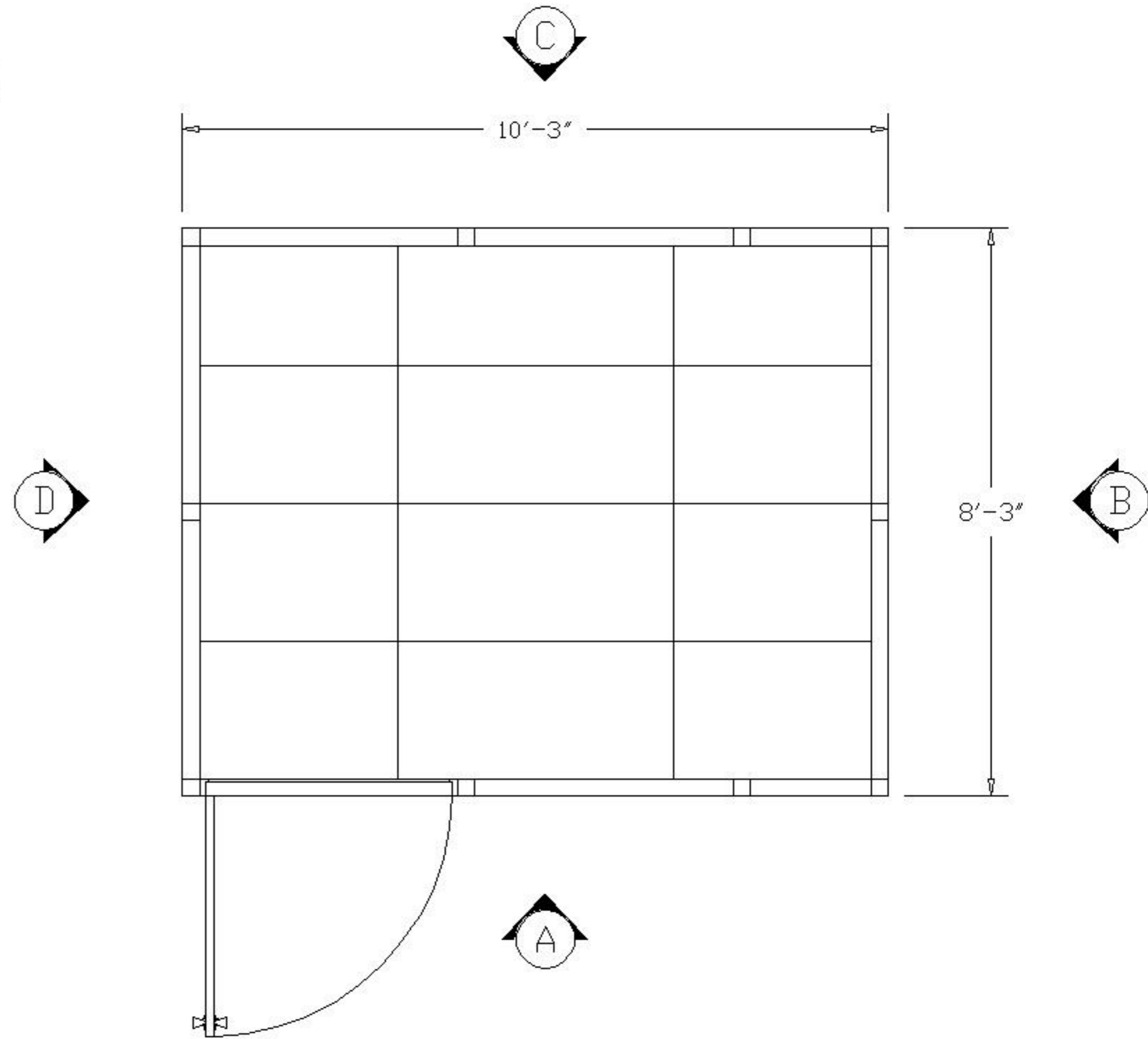
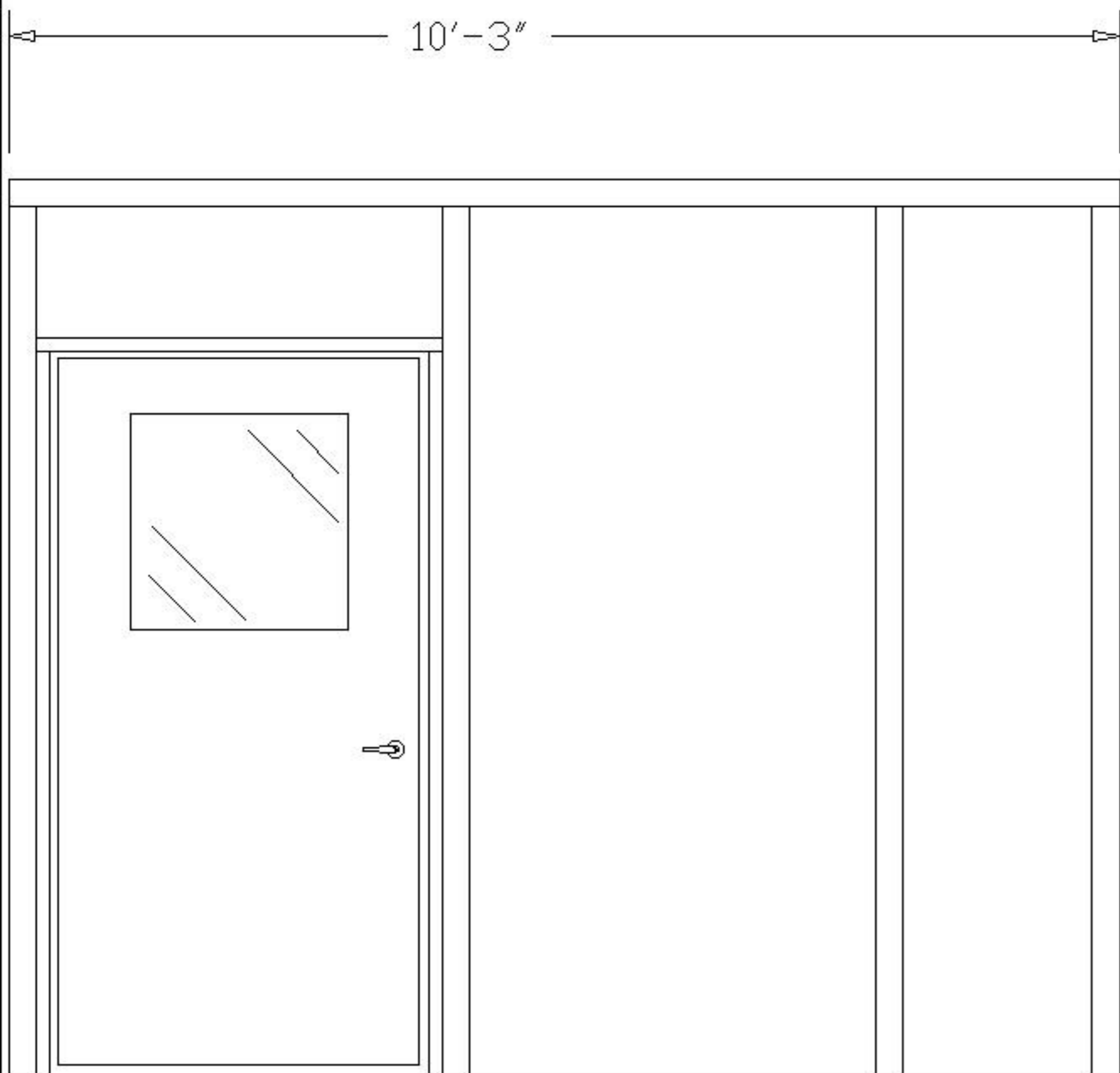


PLEASE MARK DESIRED LOCATION OF OPTIONS  
 SHOWN IN LEGEND ON FLOOR PLAN  
 IP3-8108

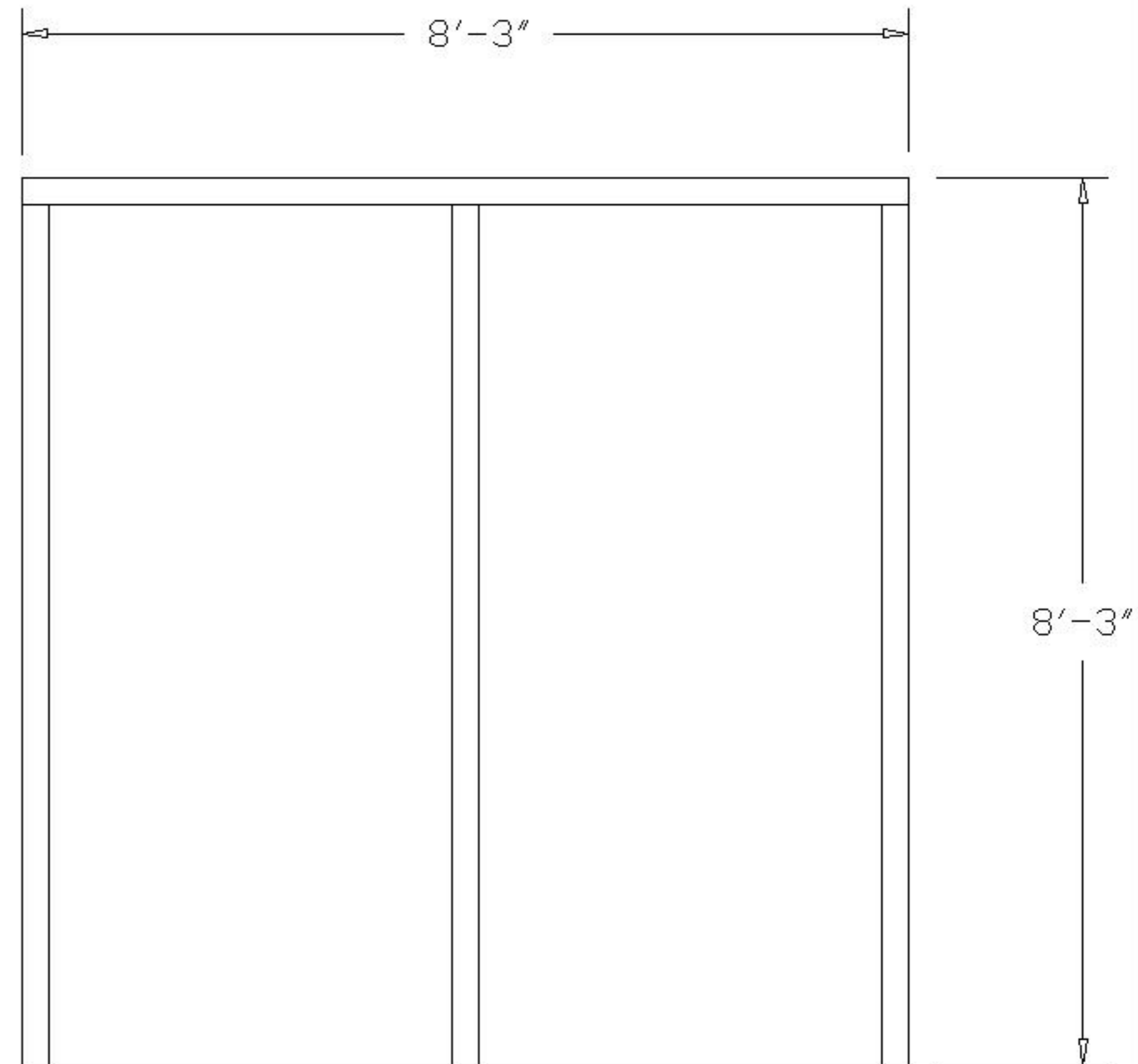
<u>DESCRIPTION</u>	<u>SYMBOL</u>	<u>DESIGNATION</u>
120V DUPLEX OUTLET	= $\emptyset$	= $\emptyset$
LIGHT SWITCH	= \$	= \$
MAIN PANEL	= <span style="border: 1px solid black; padding: 2px;">PNL</span>	= <span style="border: 1px solid black; padding: 2px;">PNL</span>
TYP. 2' 2-TUBE SURFACE MOUNT LIGHT FIXTURE	= <span style="border: 1px solid black; padding: 2px; display: inline-block; width: 20px; height: 10px; transform: rotate(45deg);"></span>	= L/F
THRU WALL HVAC UNIT	= <span style="border: 1px solid black; padding: 2px; display: inline-block; width: 40px; height: 20px;"></span>	= <span style="border: 1px solid black; padding: 2px; display: inline-block; width: 40px; height: 20px;"></span>





"A" ELEVATION




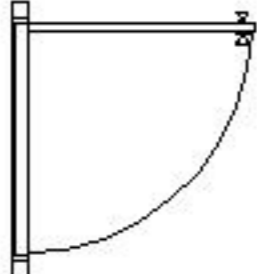
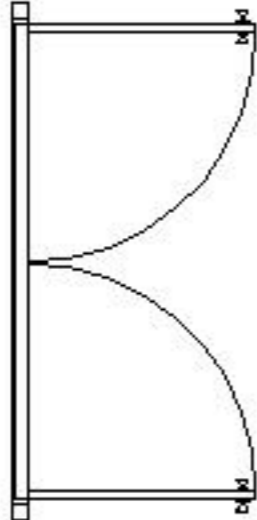
IP3-8108

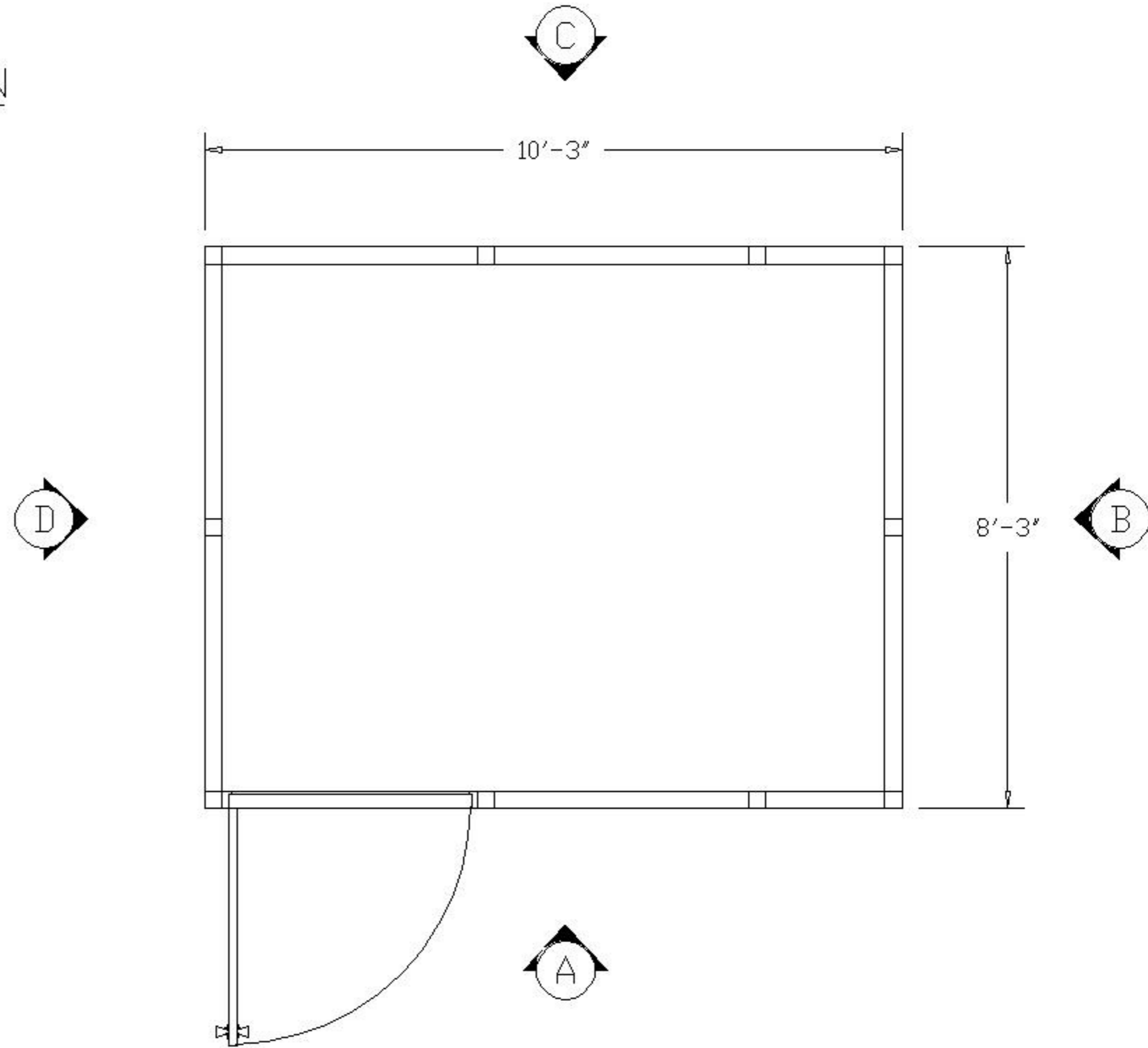


"B" ELEVATION

PLEASE MARK DESIRED LOCATION OF OPTIONS  
SHOWN IN LEGEND ON FLOOR PLAN

IP3-8108

<u>DESCRIPTION</u>	<u>SYMBOL</u>	<u>DESIGNATION</u>
WINDOW PANEL =		= W/P
SLIDING WINDOW PANEL =		= SW/P
SOLID PANEL =		= S/P
42" X 80" DOOR W/ 2' X 2' WINDOW =		= D/L
DOUBLE DOOR W/ 2' X 2' WINDOW =		= DD/L



PLEASE MARK DESIRED LOCATION OF OPTIONS  
 SHOWN IN LEGEND ON FLOOR PLAN  
 IP3-8108

DESCRIPTION

SYMBOL

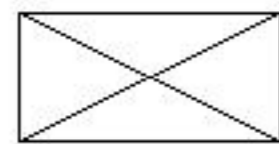
DESIGNATION

TYP. 2'X4'x5/8"  
 MINERAL BOARD =  
 CEILING TILE



= C/T

TYP. 2' X 4'  
 LAY IN 4 TUBE =  
 LIGHT FIXTURE



= L/F

