


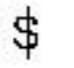
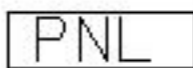
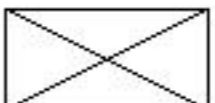

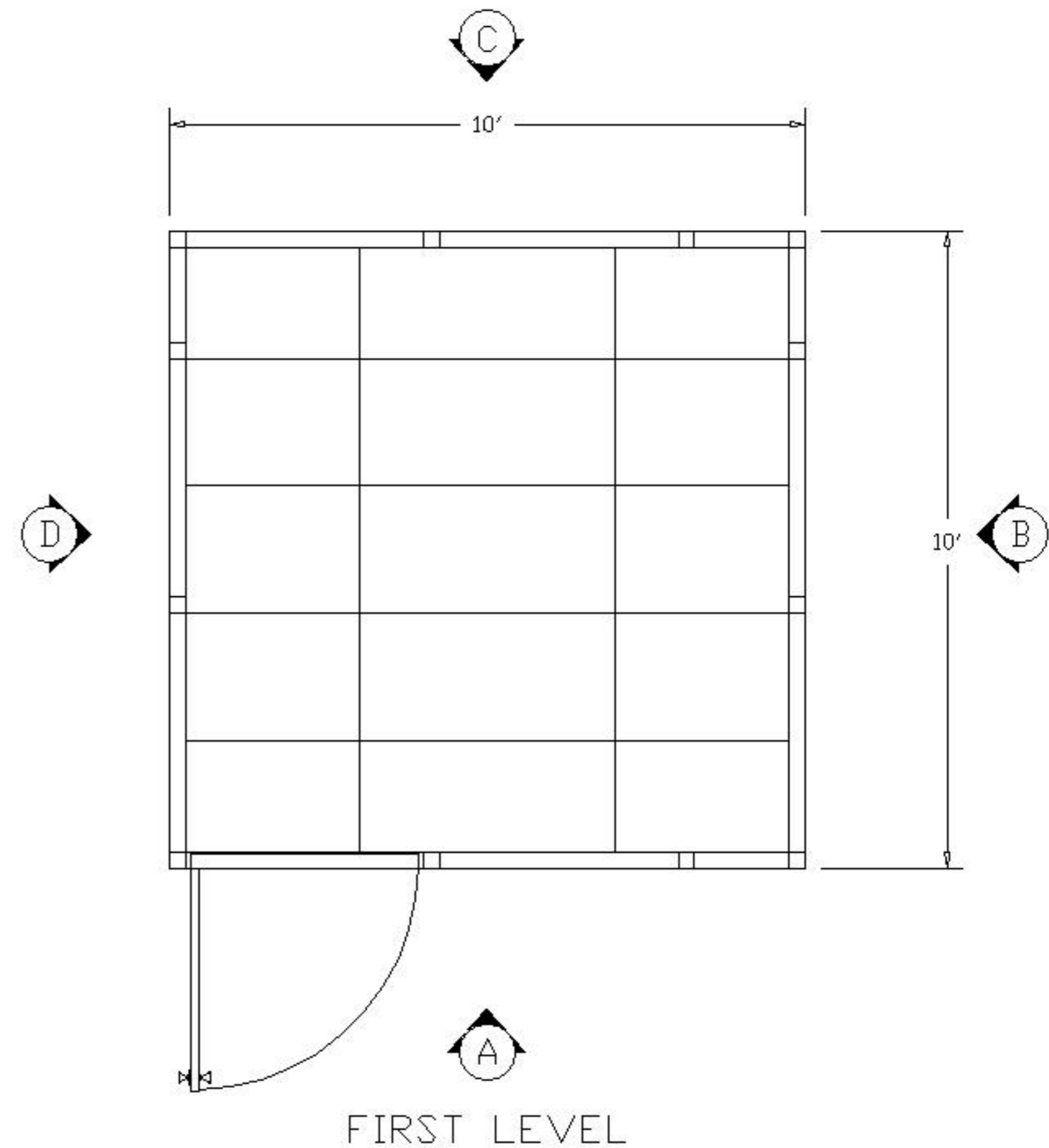
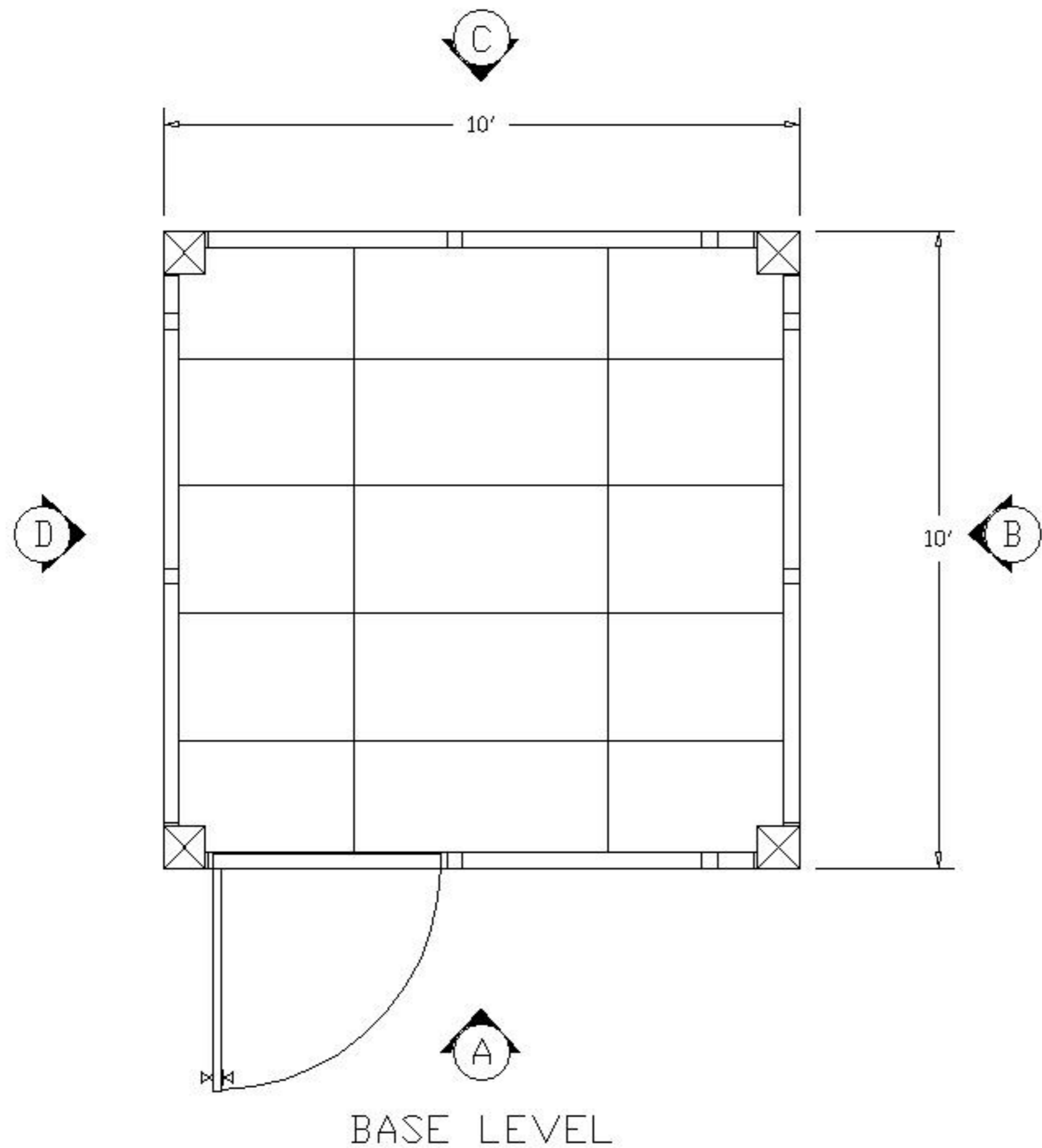
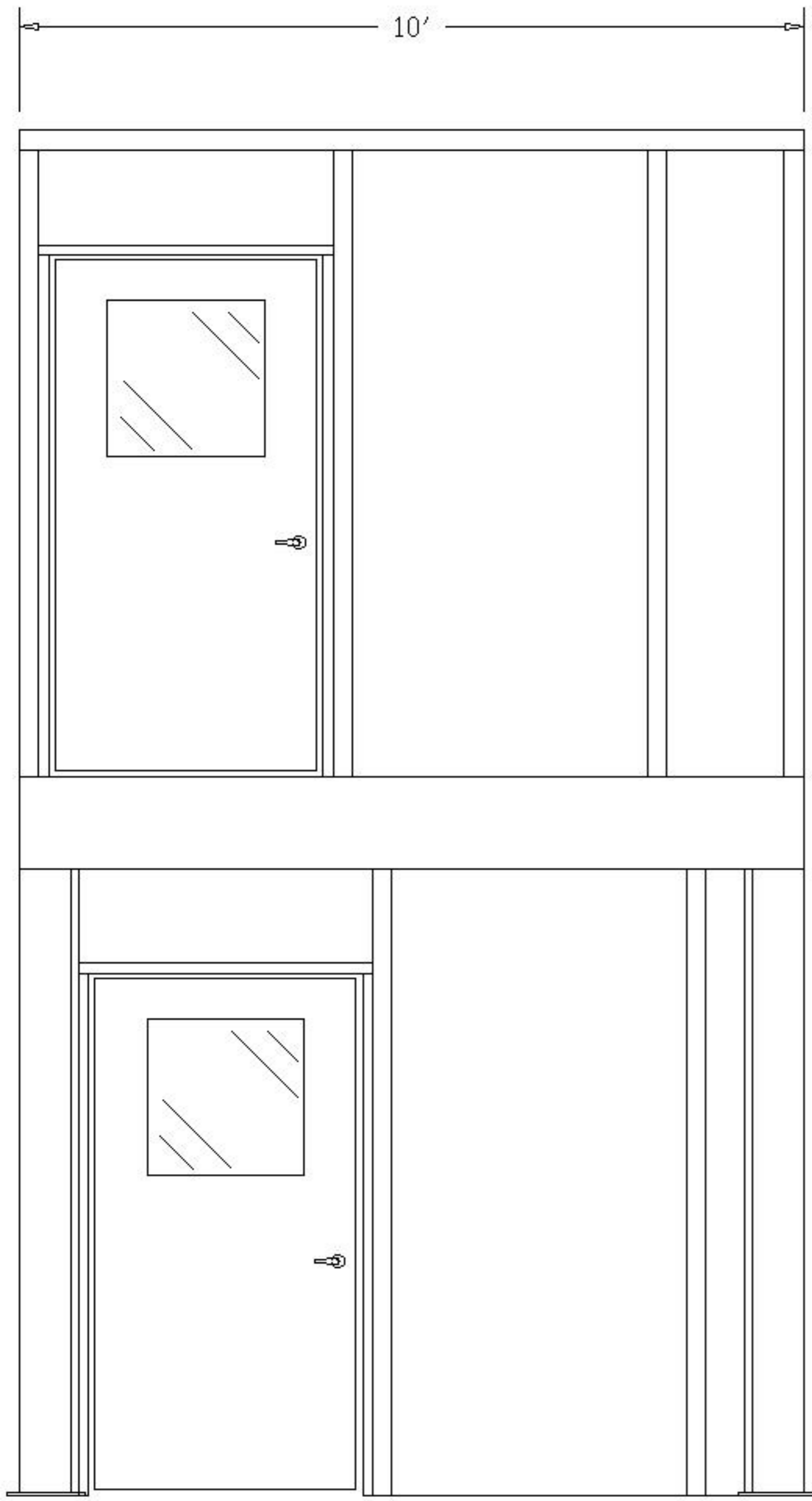


PLEASE MARK DESIRED LOCATION OF OPTIONS  
 SHOWN IN LEGEND ON FLOOR PLAN  
 IP3-2L-10108

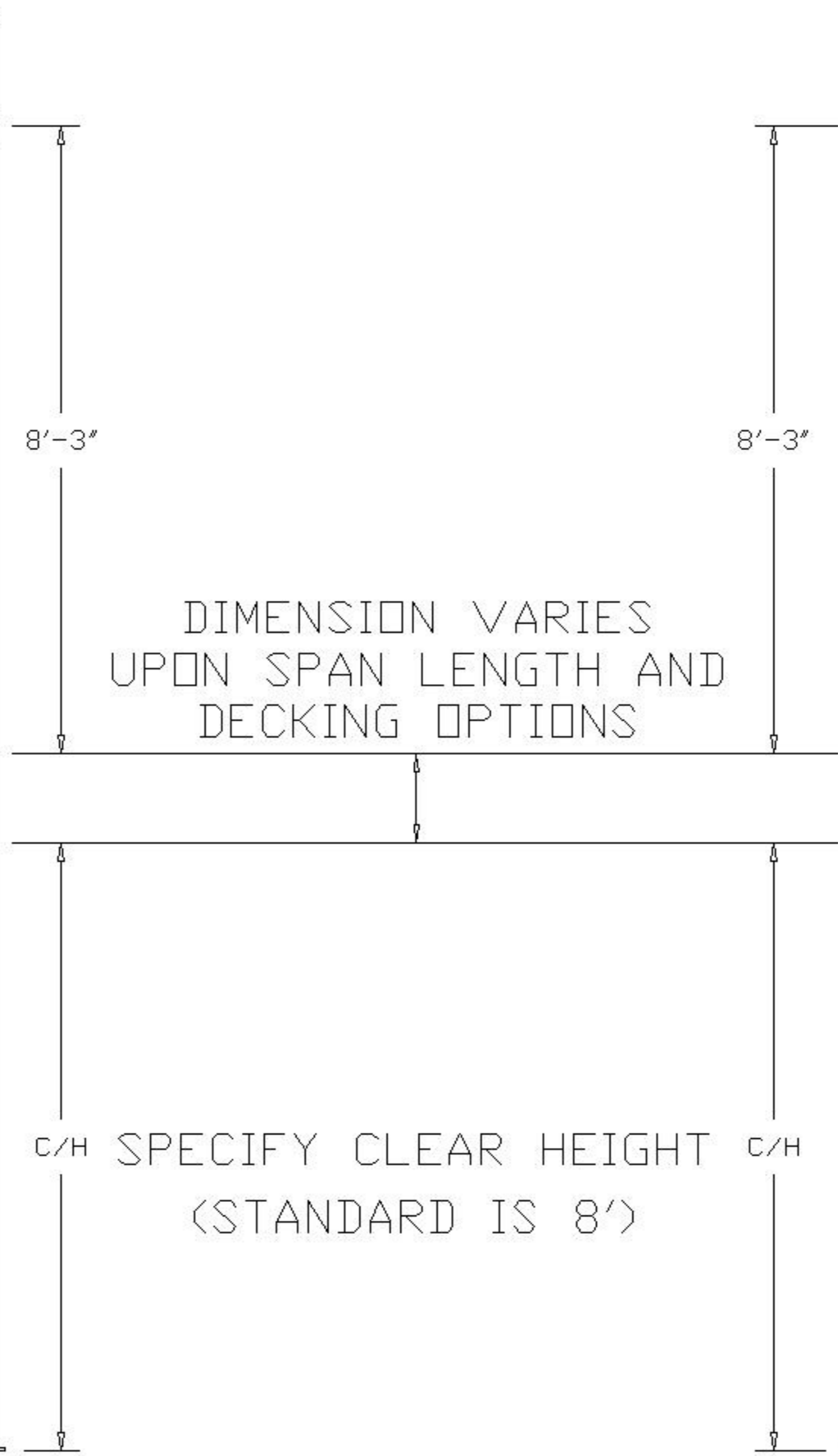
8" SQ. TUBE  
 STEEL COLUMN = 

DESCRIPTION	SYMBOL	DESIGNATION
208V OUTLET =		$\Phi$
TYP. EMERGENCY FLOOD LIGHTS =		E/L
120V DUPLEX OUTLET =		$\Phi$
LIGHT SWITCH =		\$
MAIN PANEL =		PNL
TYP. 2' X 4' LAY IN 4 TUBE LIGHT FIXTURE =		L/F
THRU WALL HVAC UNIT =		HVAC

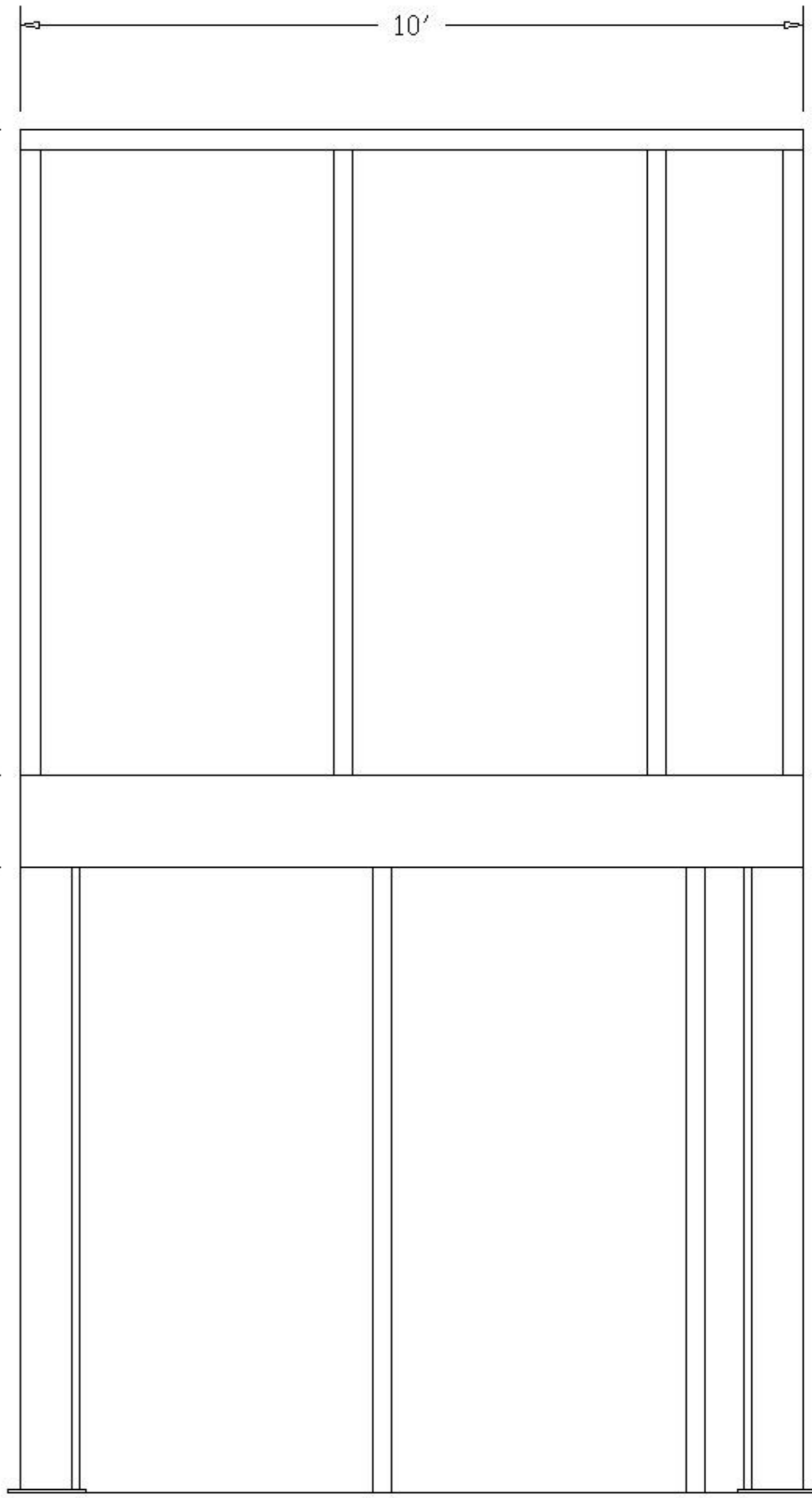




"A" ELEVATION




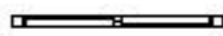

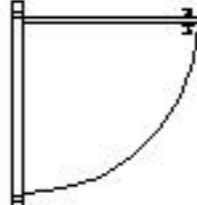
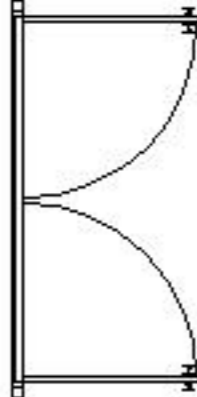
IP3-2L-10108

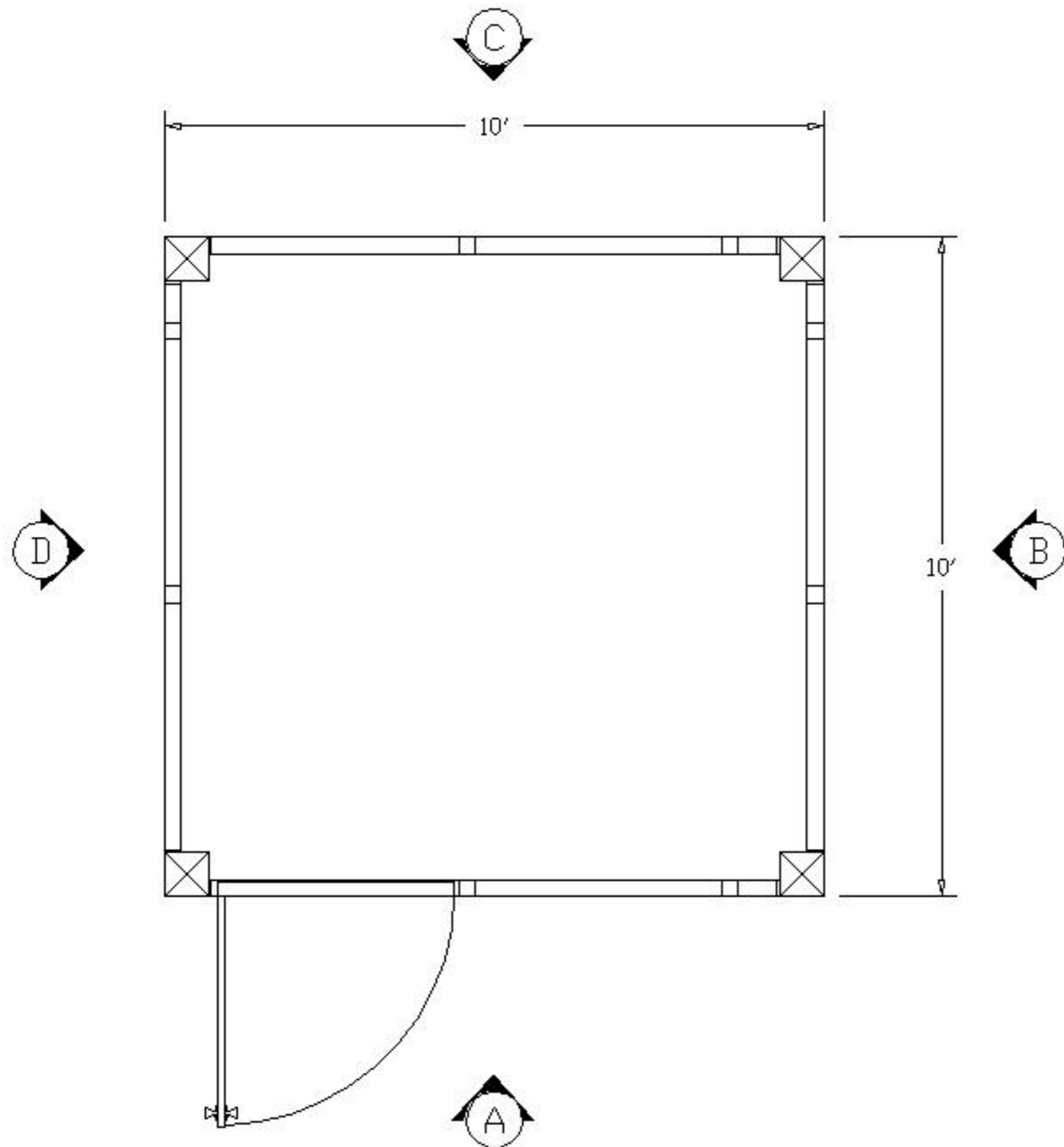


"B" ELEVATION

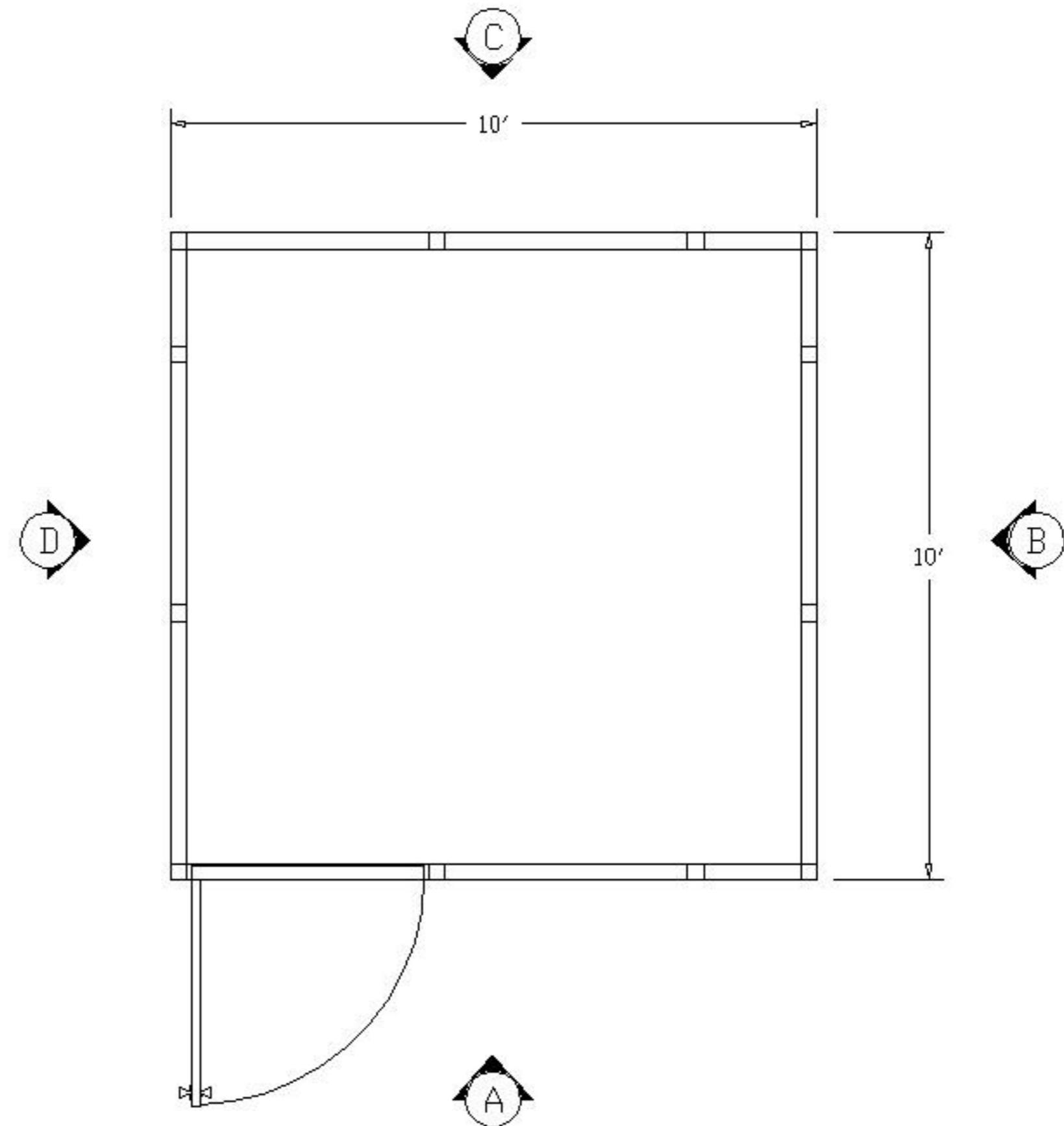
PLEASE MARK DESIRED LOCATION OF OPTIONS  
 SHOWN IN LEGEND ON FLOOR PLAN  
 IP3-2L-10108

8" SQ. TUBE  
 STEEL COLUMN = 

<u>DESCRIPTION</u>	<u>SYMBOL</u>	<u>DESIGNATION</u>
WINDOW PANEL = 	=	W/P
SLIDING WINDOW PANEL = 	=	SW/P
SOLID PANEL = 	=	S/P
42" X 80" DOOR W/ 2' X 2' WINDOW = 	=	D/L
DOUBLE DOOR W/ 2' X 2' WINDOW = 	=	DD/L



BASE LEVEL



FIRST LEVEL

PLEASE MARK DESIRED LOCATION OF OPTIONS  
 SHOWN IN LEGEND ON FLOOR PLAN  
 IP3-2L-10108

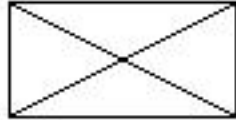
8" SQ. TUBE  
 STEEL COLUMN = 

DESCRIPTION

SYMBOL

DESIGNATION

TYP. 2'X4'x5/8"  
 MINERAL BOARD =  = C/T  
 CEILING TILE

TYP. 2' X 4'  
 LAY IN 4 TUBE =  = L/F  
 LIGHT FIXTURE

