


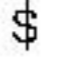



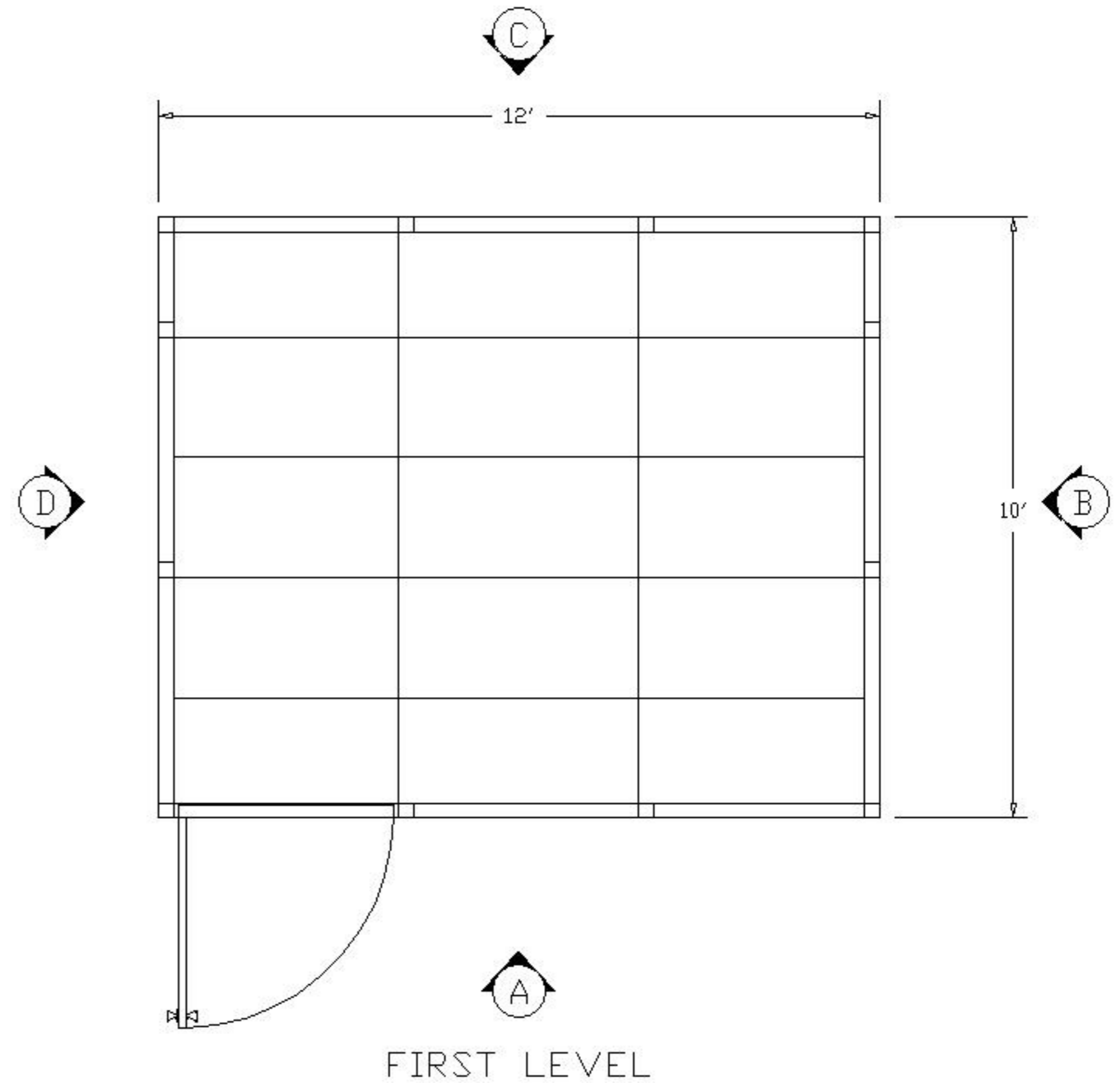
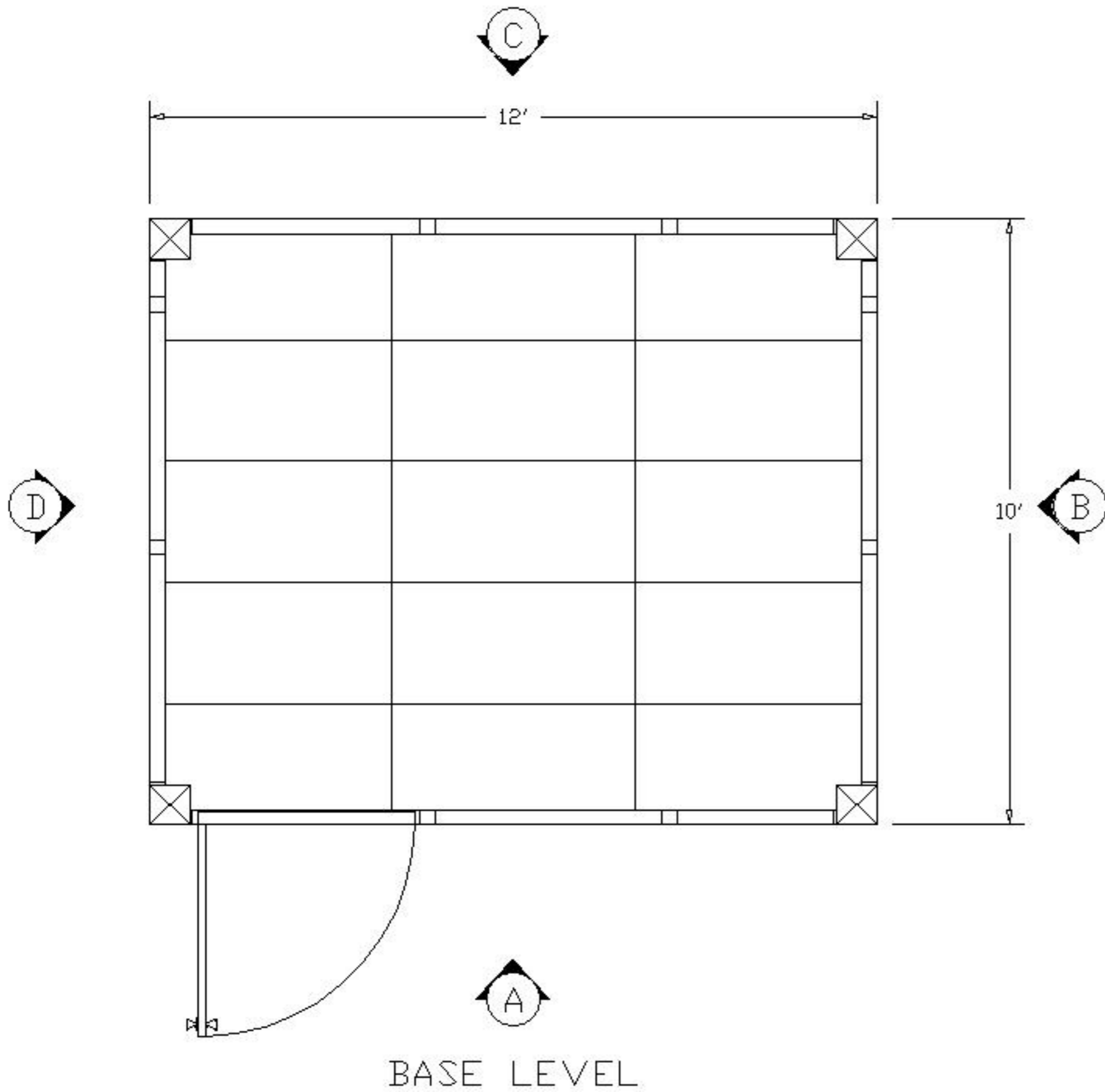
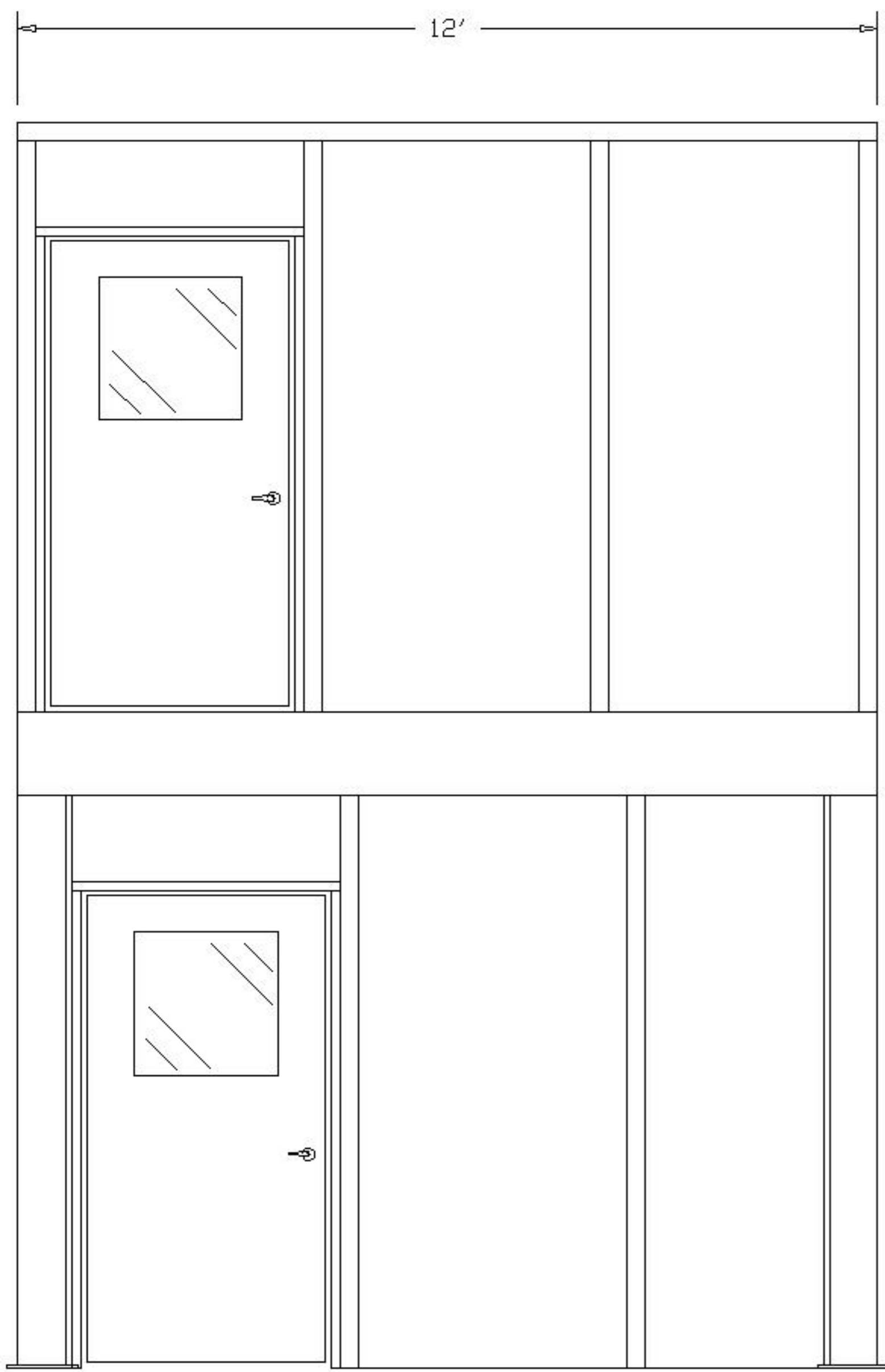


PLEASE MARK DESIRED LOCATION OF OPTIONS
 SHOWN IN LEGEND ON FLOOR PLAN
 IP3-2L-10128

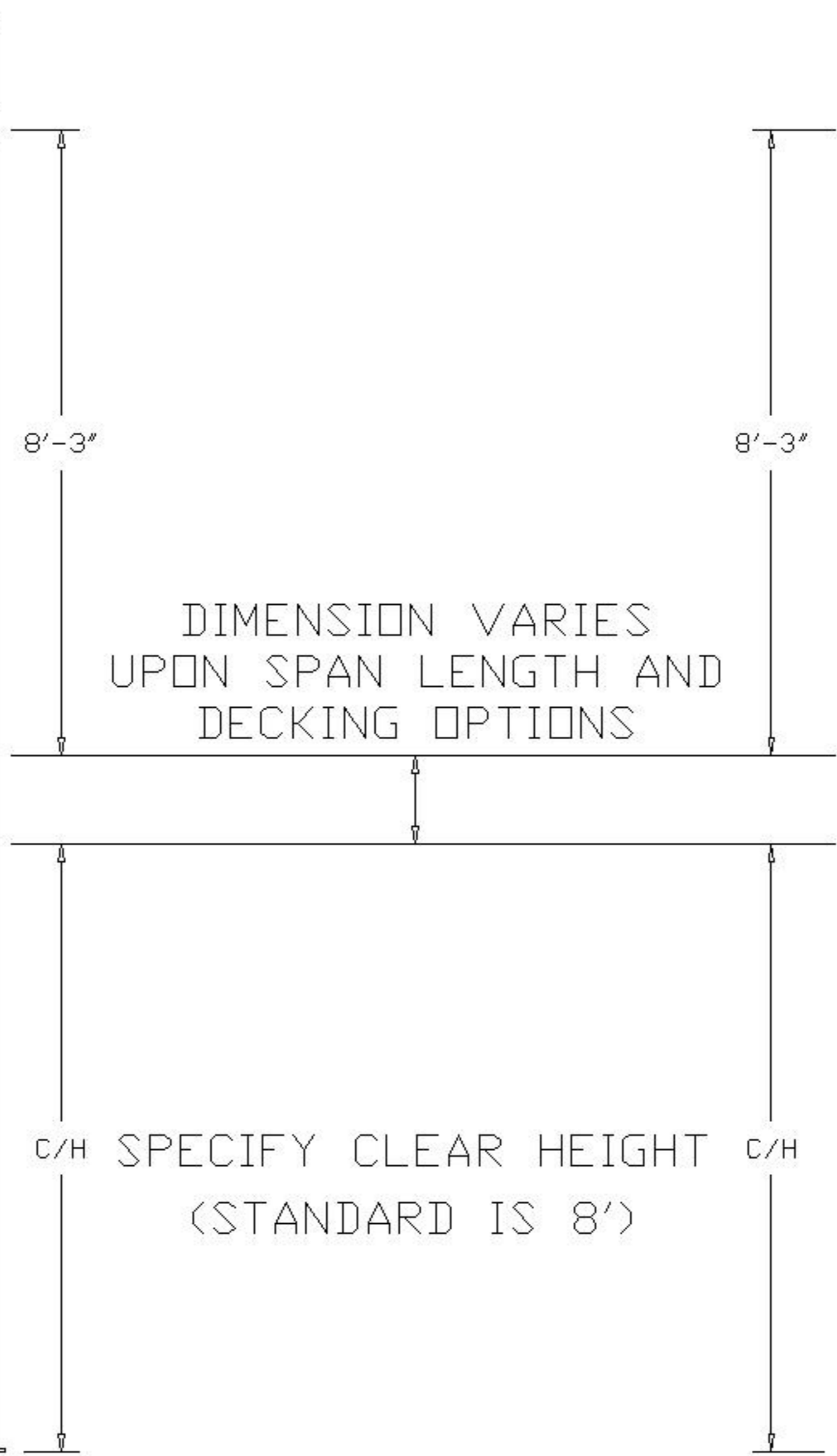
8" SQ. TUBE
 STEEL COLUMN = 

DESCRIPTION	SYMBOL	DESIGNATION
208V OUTLET =		Φ
TYP. EMERGENCY FLOOD LIGHTS =		E/L
120V DUPLEX OUTLET =		Φ
LIGHT SWITCH =		$\$$
MAIN PANEL =		PNL
TYP. 2' X 4' LAY IN 4 TUBE LIGHT FIXTURE =		L/F
THRU WALL HVAC UNIT =		HVAC

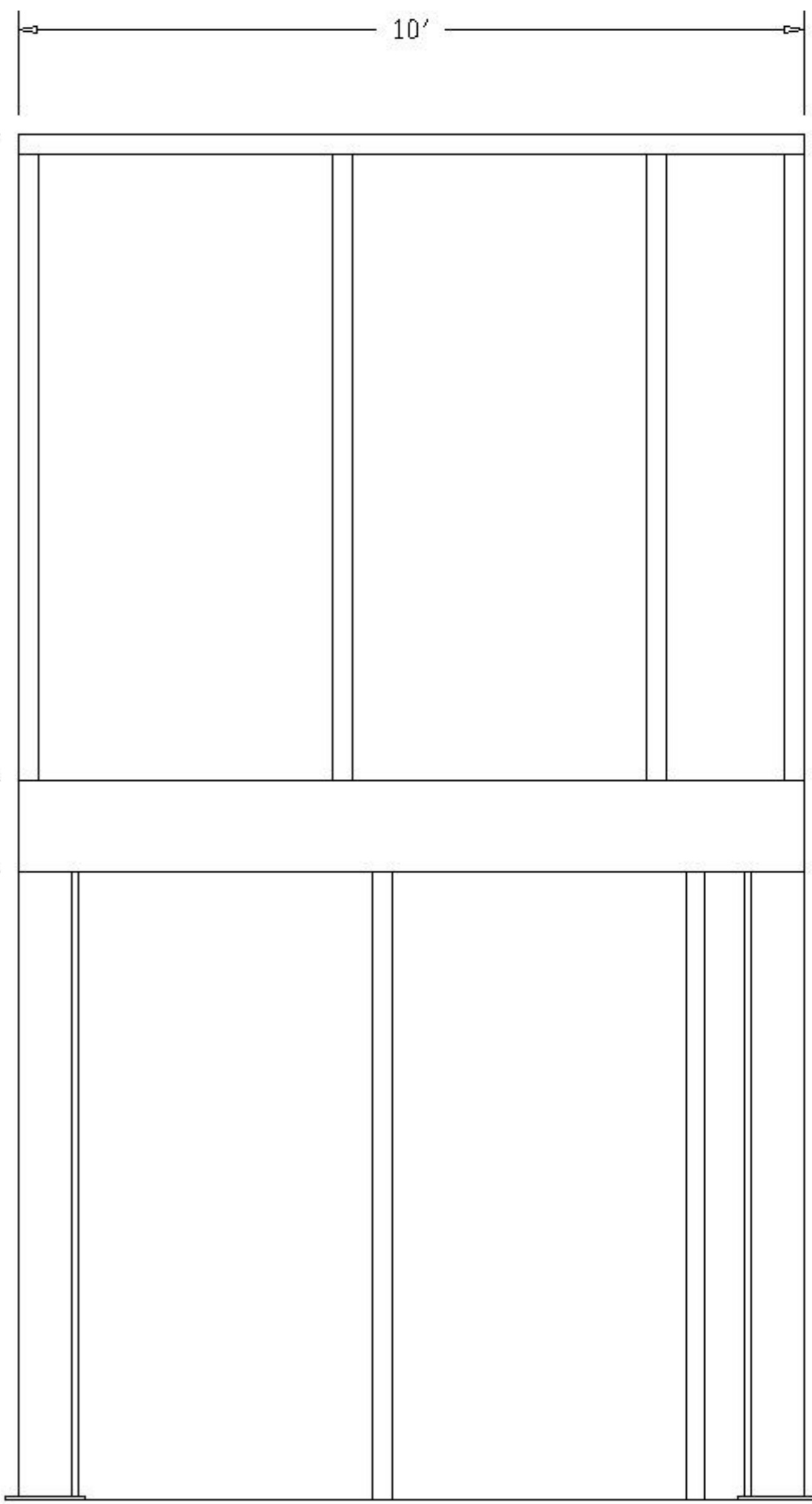




"A" ELEVATION




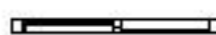
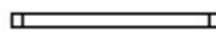
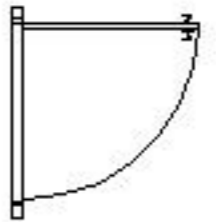
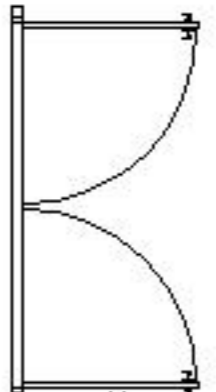
IP3-2L-10128

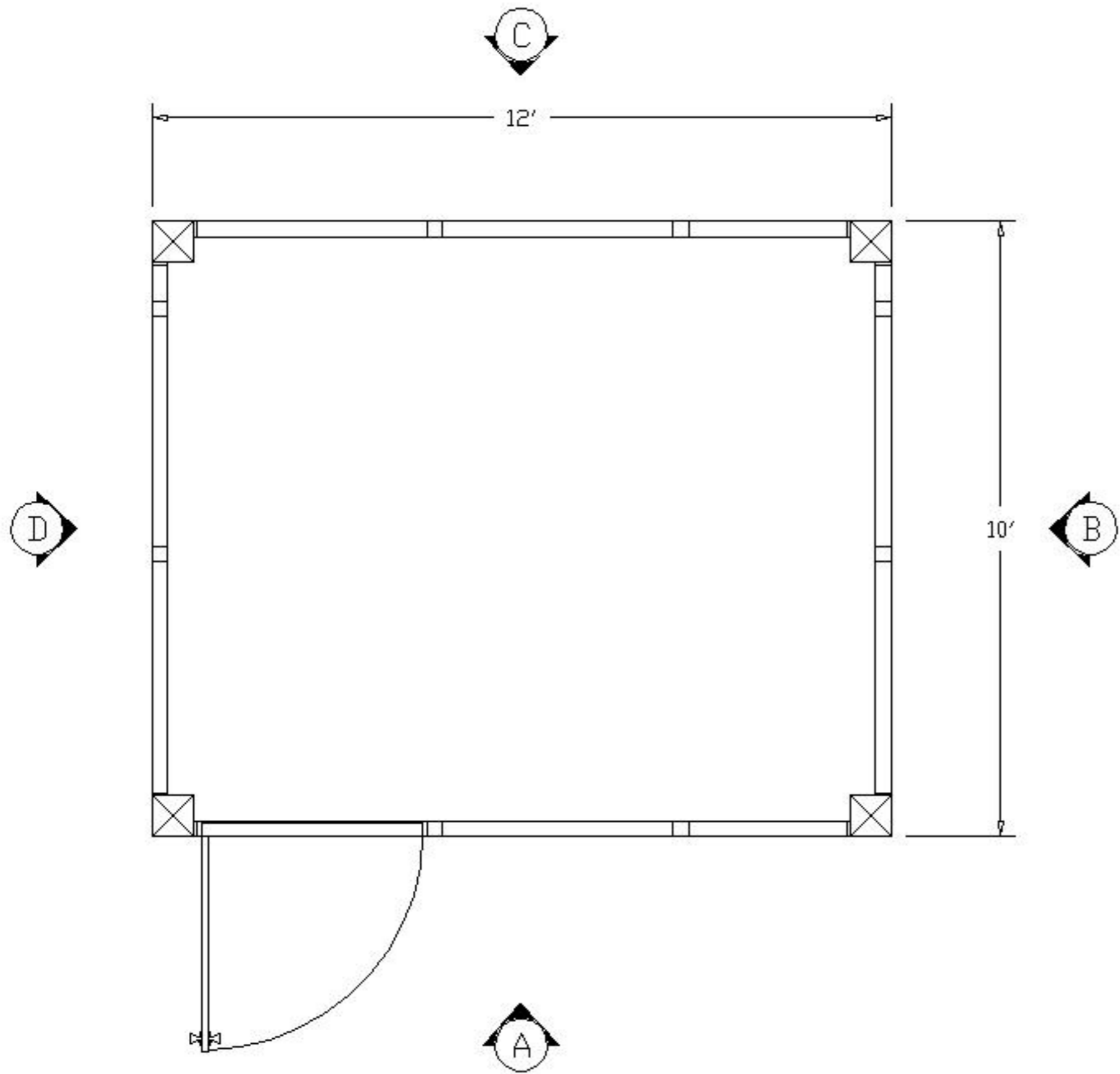


"B" ELEVATION

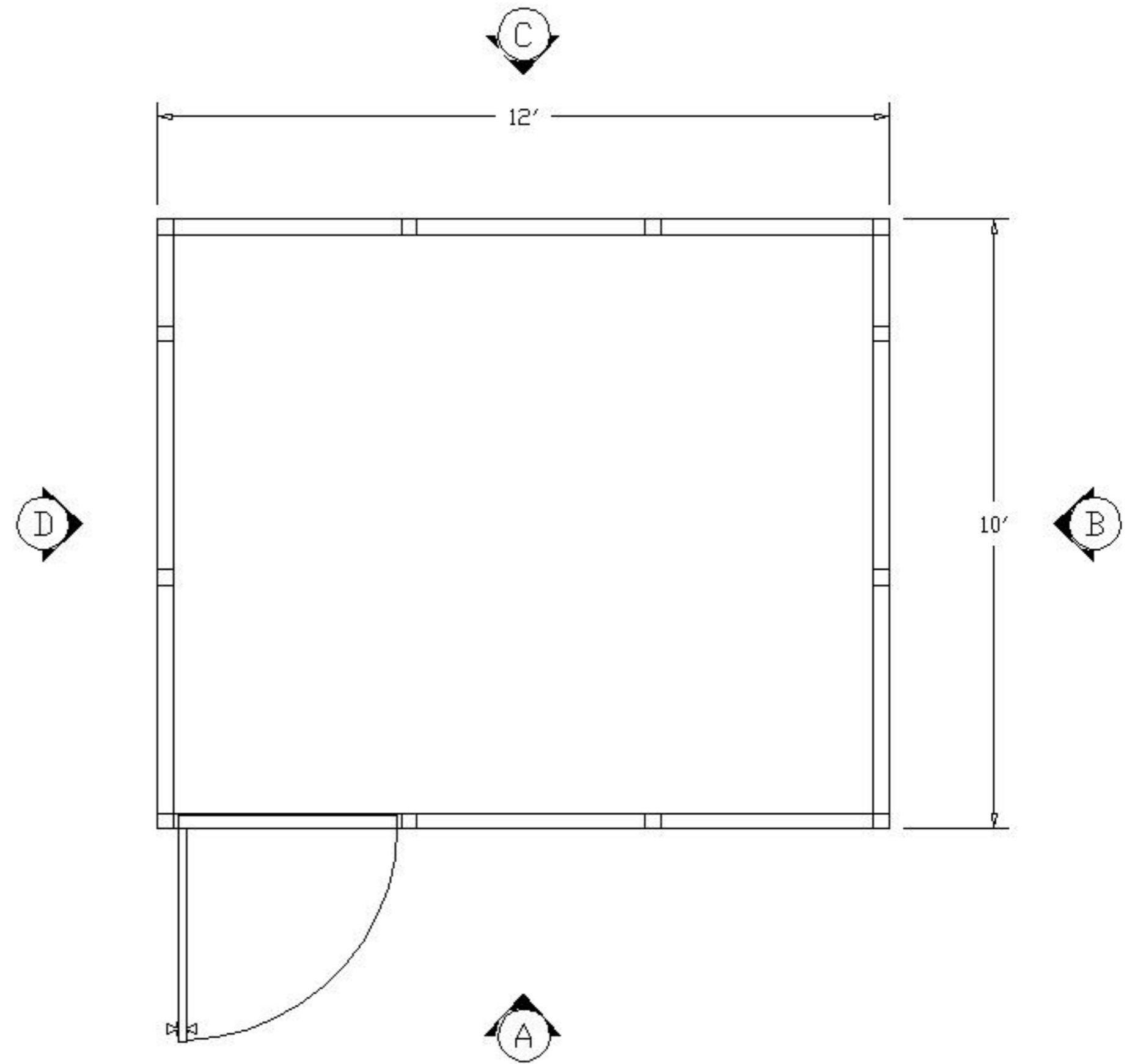
PLEASE MARK DESIRED LOCATION OF OPTIONS
 SHOWN IN LEGEND ON FLOOR PLAN
 IP3-2L-10128

8" SQ. TUBE
 STEEL COLUMN = 

DESCRIPTION	SYMBOL	DESIGNATION
WINDOW PANEL =		W/P
SLIDING WINDOW PANEL =		SW/P
SOLID PANEL =		S/P
42" X 80" DOOR W/ 2' X 2' WINDOW =		D/L
DOUBLE DOOR W/ 2' X 2' WINDOW =		DD/L



BASE LEVEL



FIRST LEVEL

PLEASE MARK DESIRED LOCATION OF OPTIONS
 SHOWN IN LEGEND ON FLOOR PLAN
 IP3-2L-10128

8" SQ. TUBE
 STEEL COLUMN = 

DESCRIPTION
 TYP. 2'X4'x5/8"
 MINERAL BOARD =
 CEILING TILE

SYMBOL

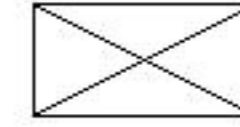


=

DESIGNATION

C/T

TYP. 2' X 4'
 LAY IN 4 TUBE
 LIGHT FIXTURE =



=

L/F

