





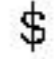


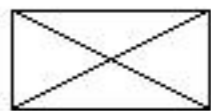


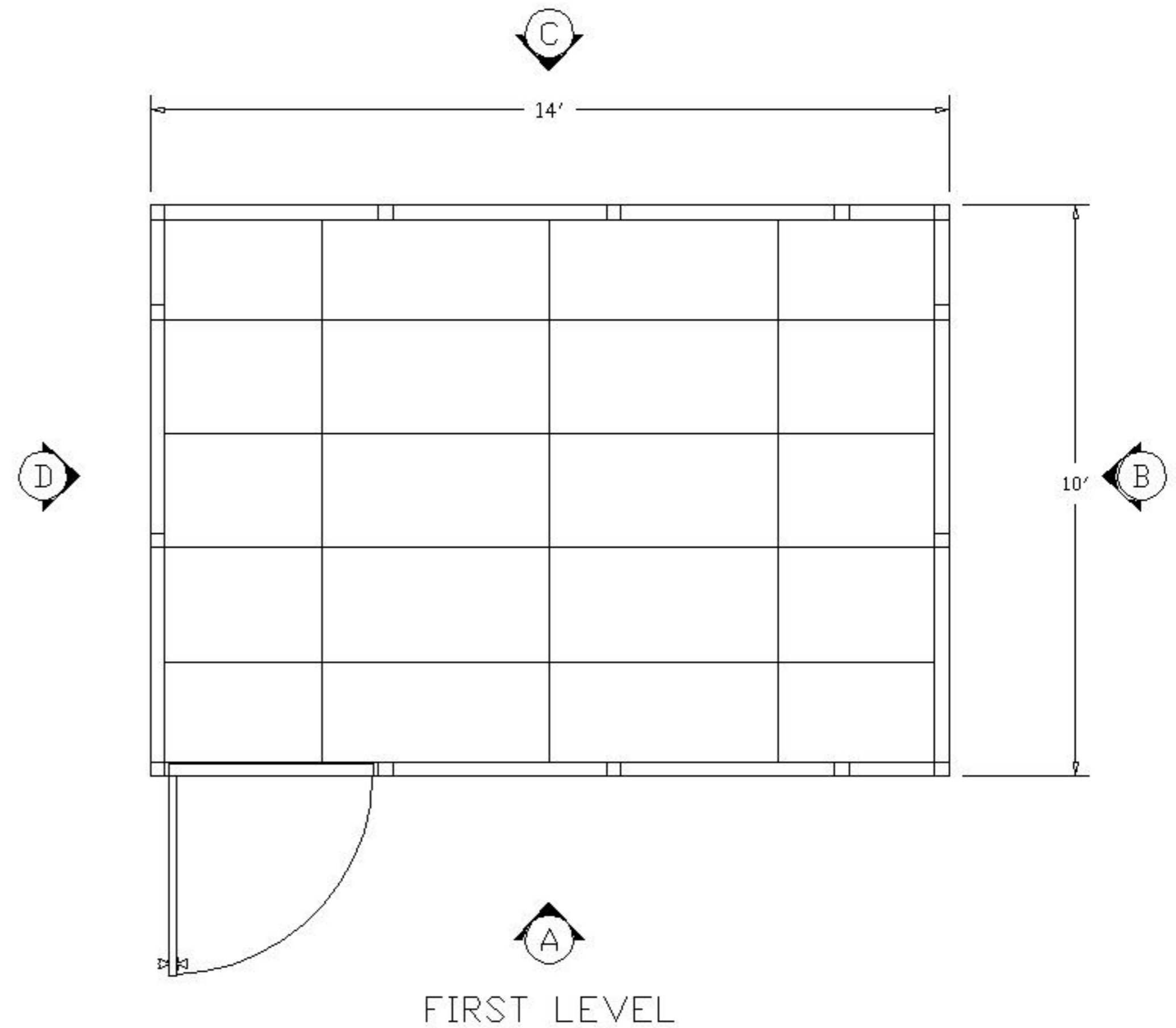
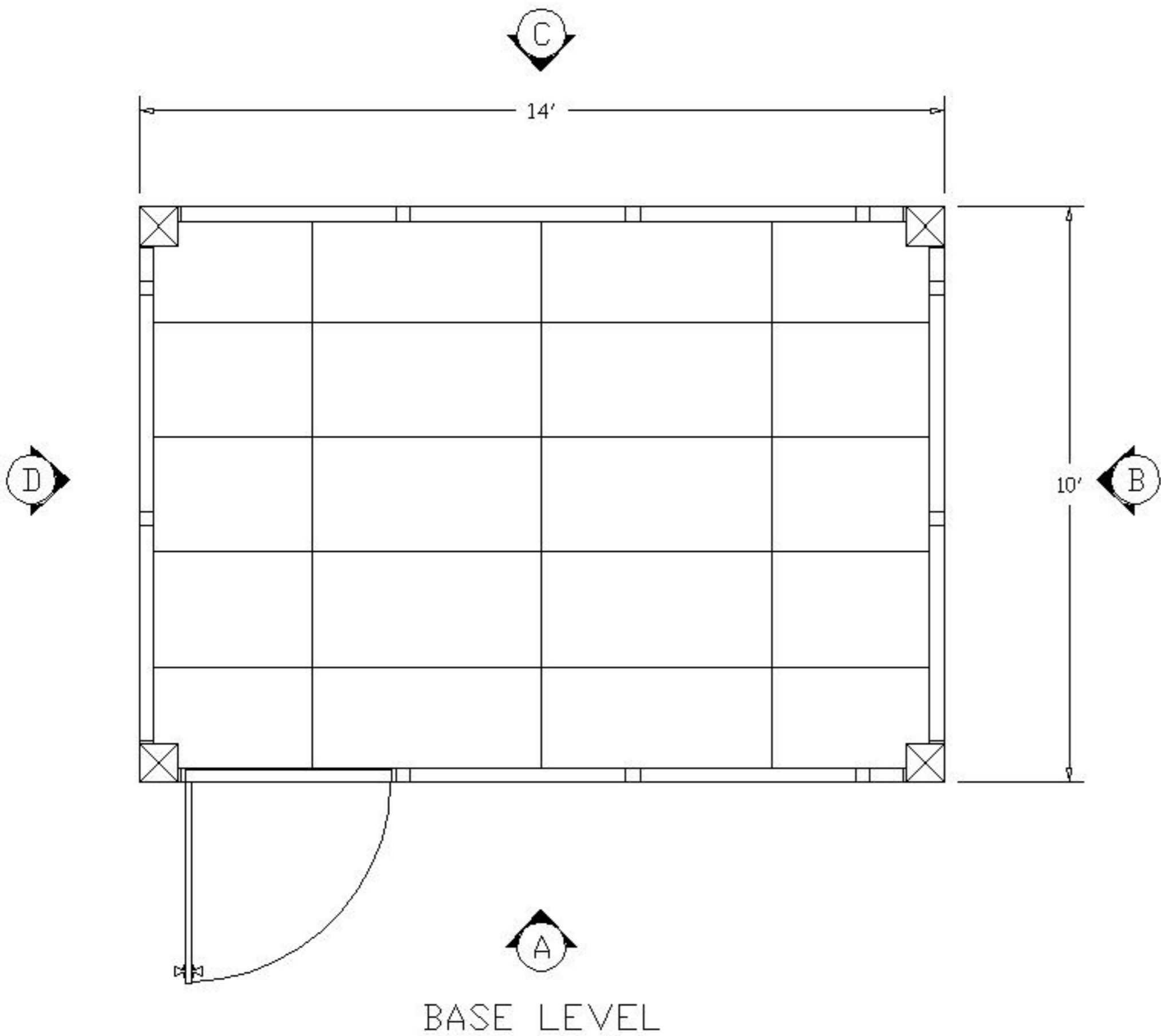
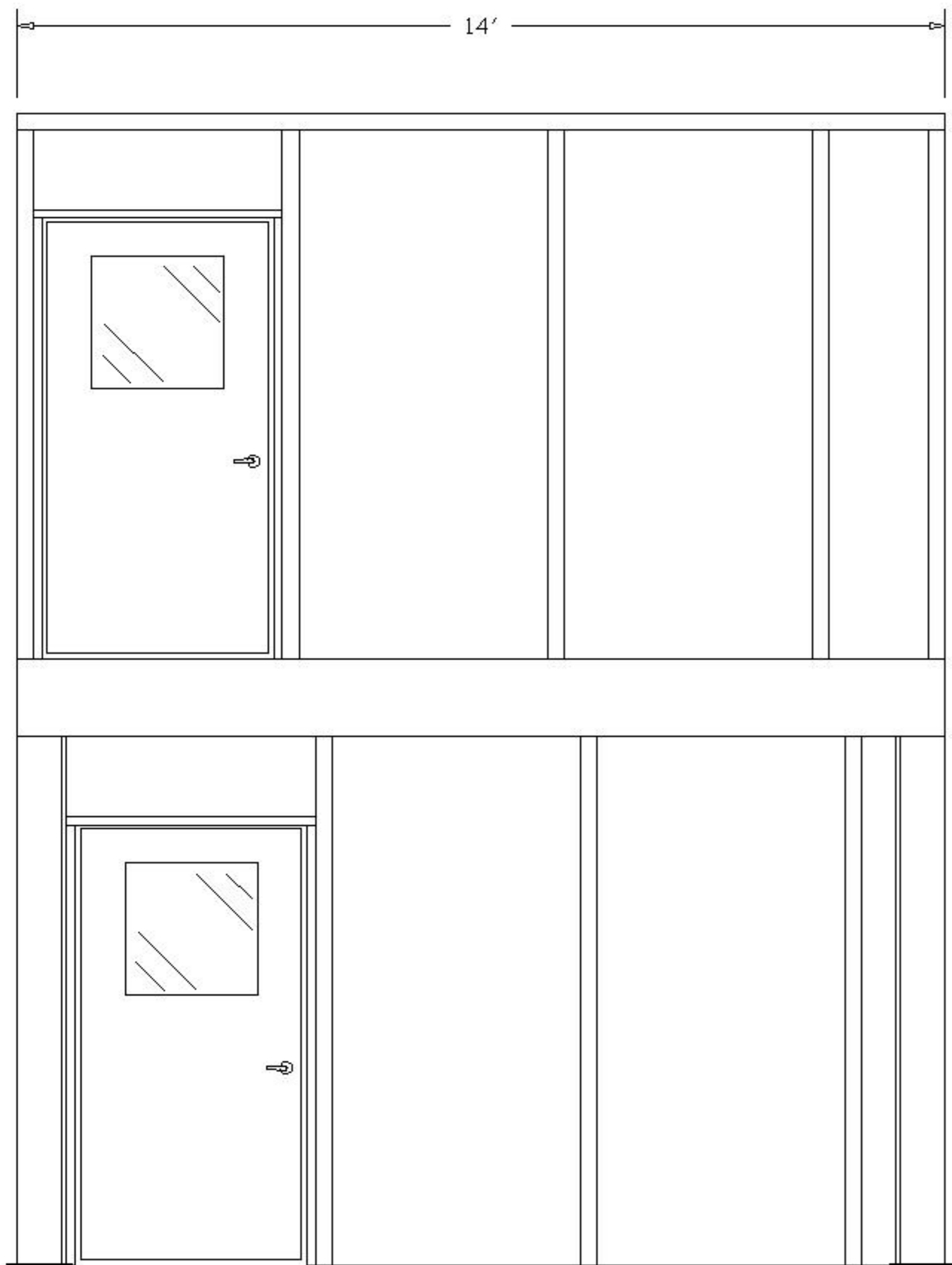


PLEASE MARK DESIRED LOCATION OF OPTIONS  
 SHOWN IN LEGEND ON FLOOR PLAN  
 IP3-2L-10148

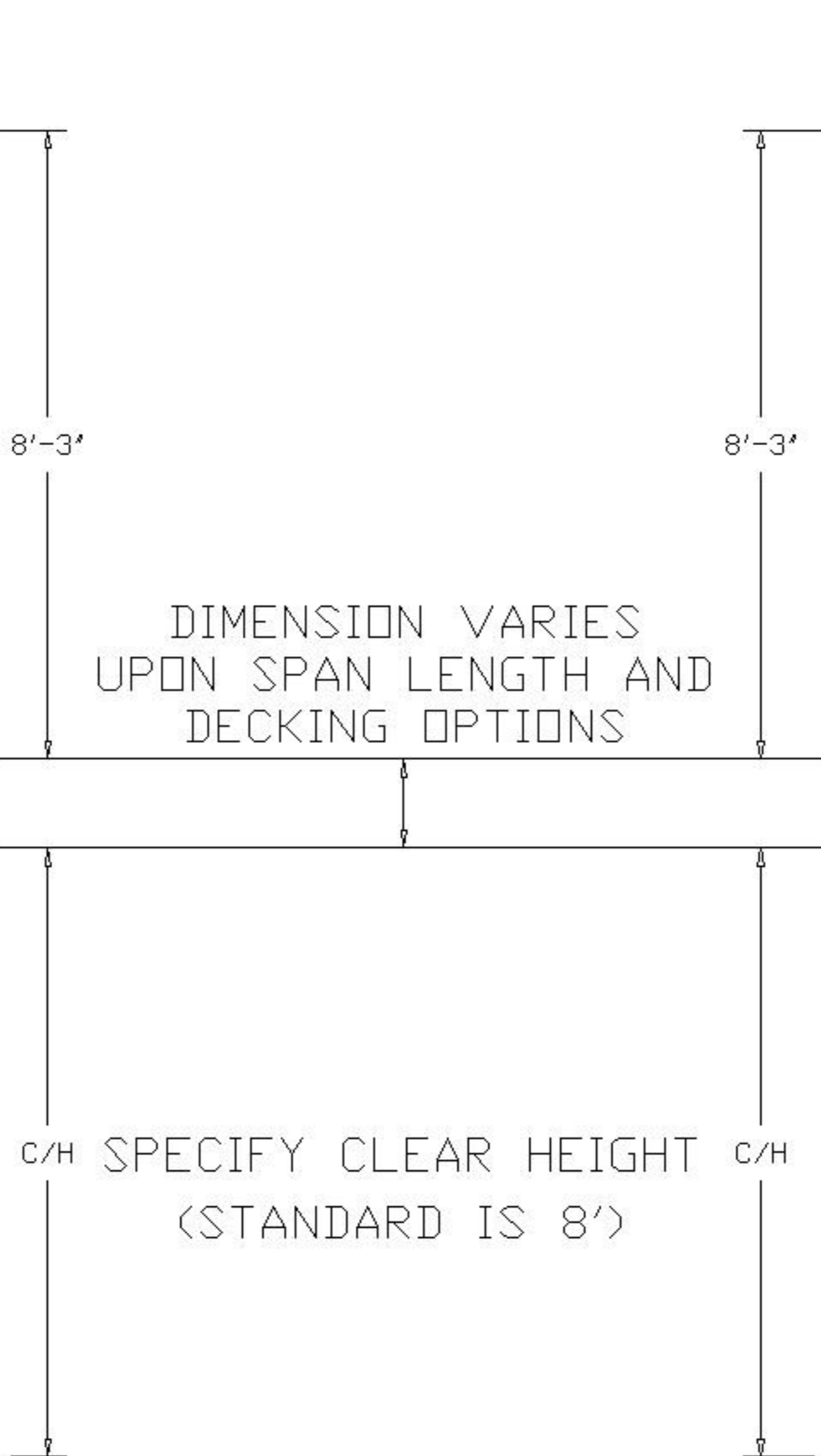
8" SQ. TUBE  
 STEEL COLUMN = 

<u>DESCRIPTION</u>	<u>SYMBOL</u>	<u>DESIGNATION</u>
208V OUTLET =		= 
TYP. EMERGENCY FLOOD LIGHTS =		= E/L
120V DUPLEX OUTLET =		= 
LIGHT SWITCH =		= 
MAIN PANEL =		= 
TYP. 2' X 4' LAY IN 4 TUBE LIGHT FIXTURE =		= L/F
THRU WALL HVAC UNIT =		= 

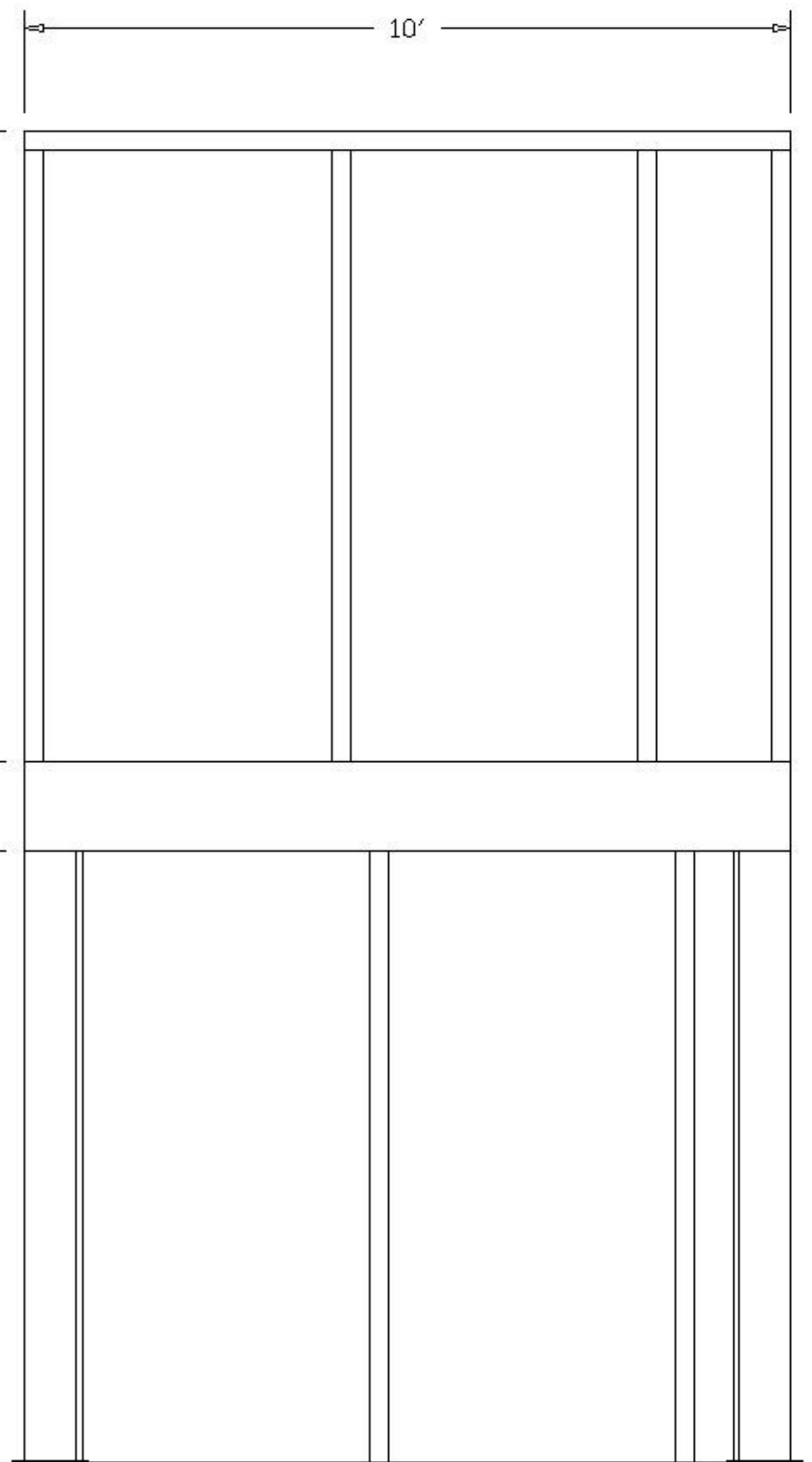




"A" ELEVATION






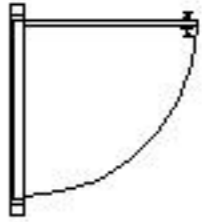
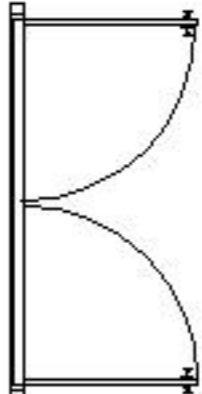
IP3-2L-10148

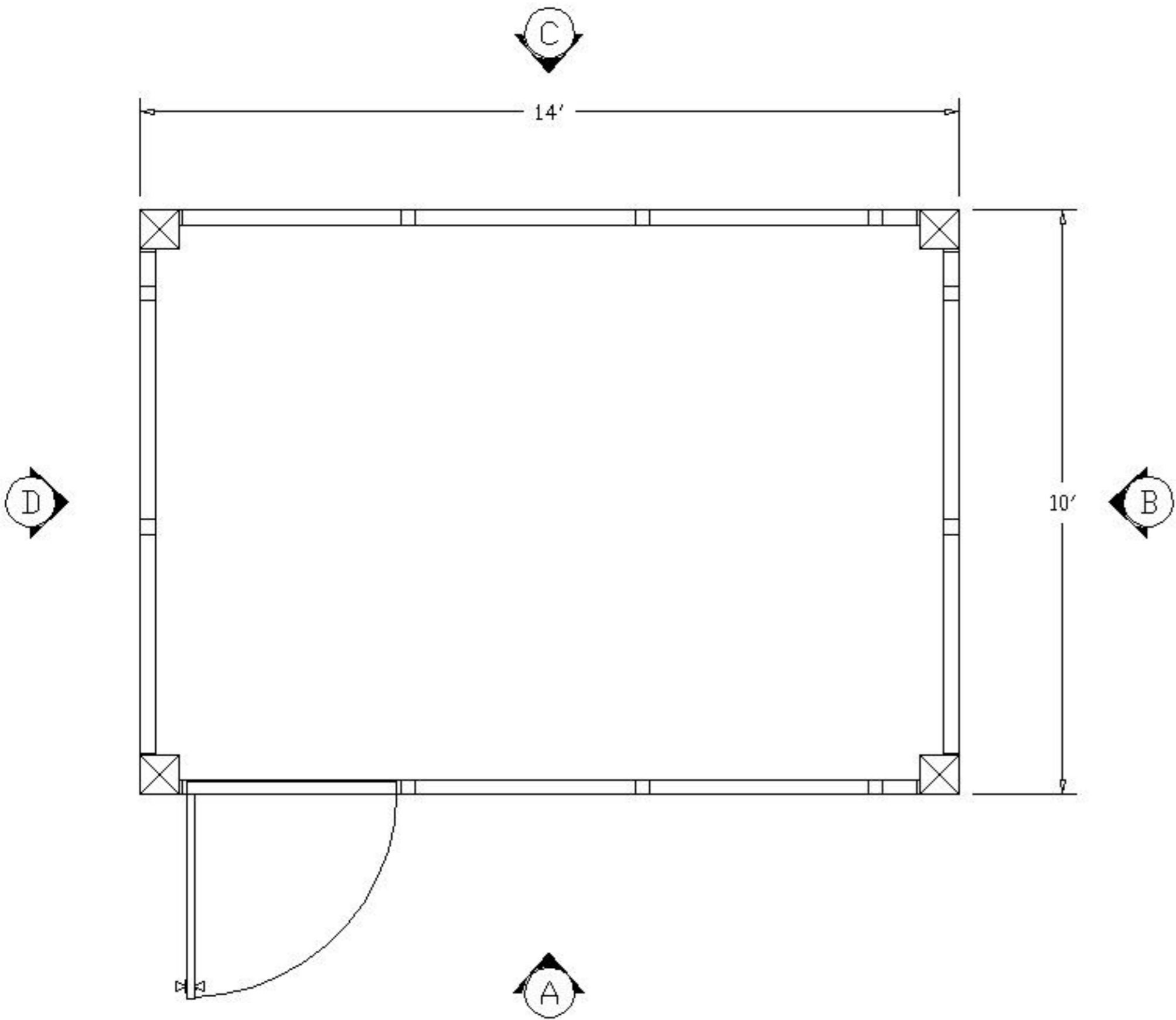


"B" ELEVATION

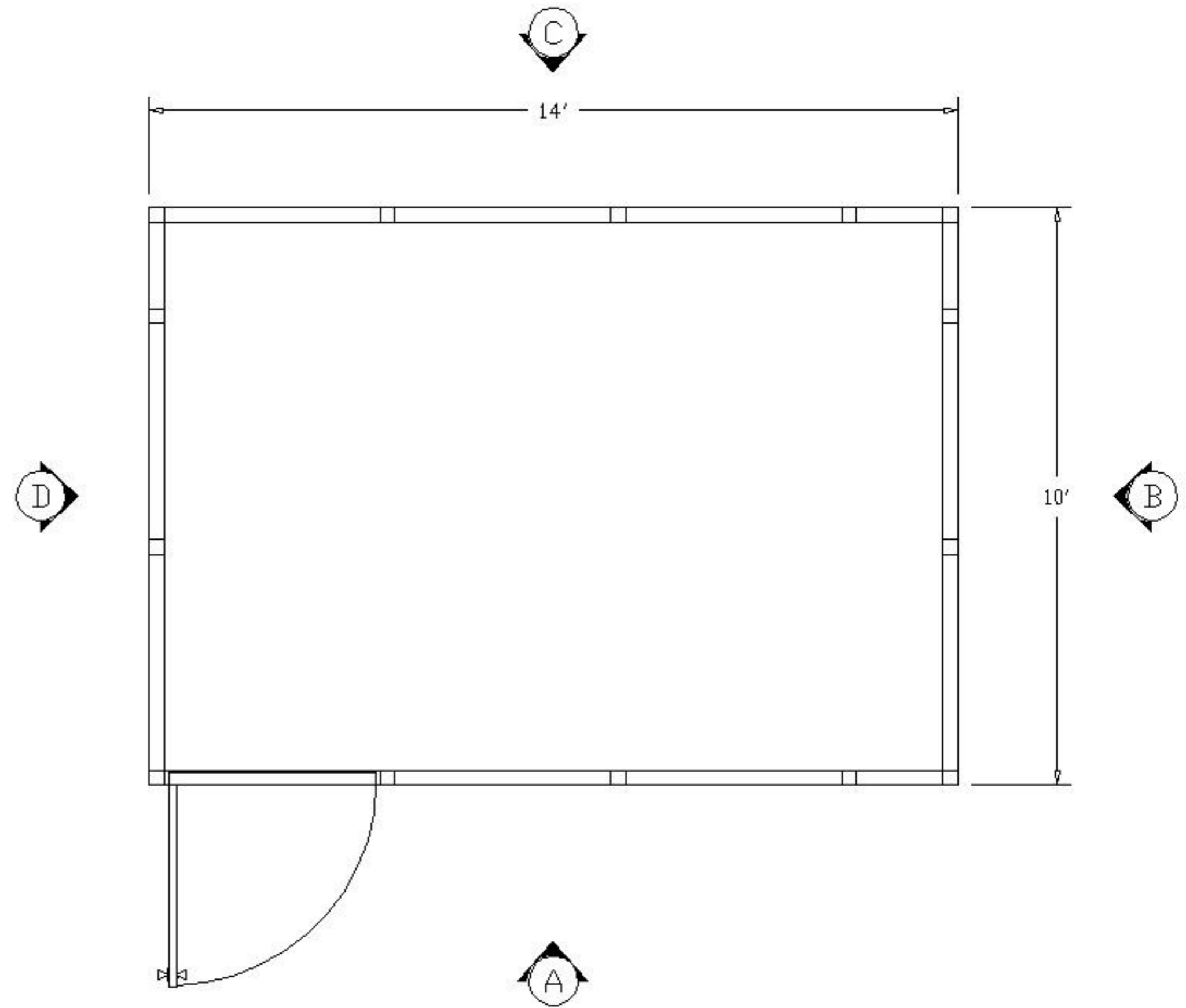
PLEASE MARK DESIRED LOCATION OF OPTIONS  
 SHOWN IN LEGEND ON FLOOR PLAN  
 IP3-2L-10148

8" SQ. TUBE  
 STEEL COLUMN = 

DESCRIPTION	SYMBOL	DESIGNATION
WINDOW PANEL		W/P
SLIDING WINDOW PANEL		SW/P
SOLID PANEL		S/P
42" X 80" DOOR W/ 2' X 2' WINDOW		D/L
DOUBLE DOOR W/ 2' X 2' WINDOW		DD/L



BASE LEVEL



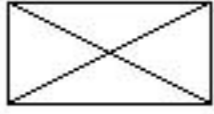
FIRST LEVEL

PLEASE MARK DESIRED LOCATION OF OPTIONS  
 SHOWN IN LEGEND ON FLOOR PLAN  
 IP3-2L-10148

8" SQ. TUBE  
 STEEL COLUMN = 

DESCRIPTION                      SYMBOL                      DESIGNATION

TYP. 2'X4'x5/8"  
 MINERAL BOARD =  = C/T  
 CEILING TILE

TYP. 2' X 4'  
 LAY IN 4 TUBE =  = L/F  
 LIGHT FIXTURE

