

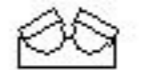


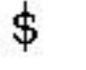



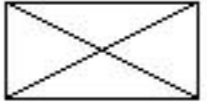


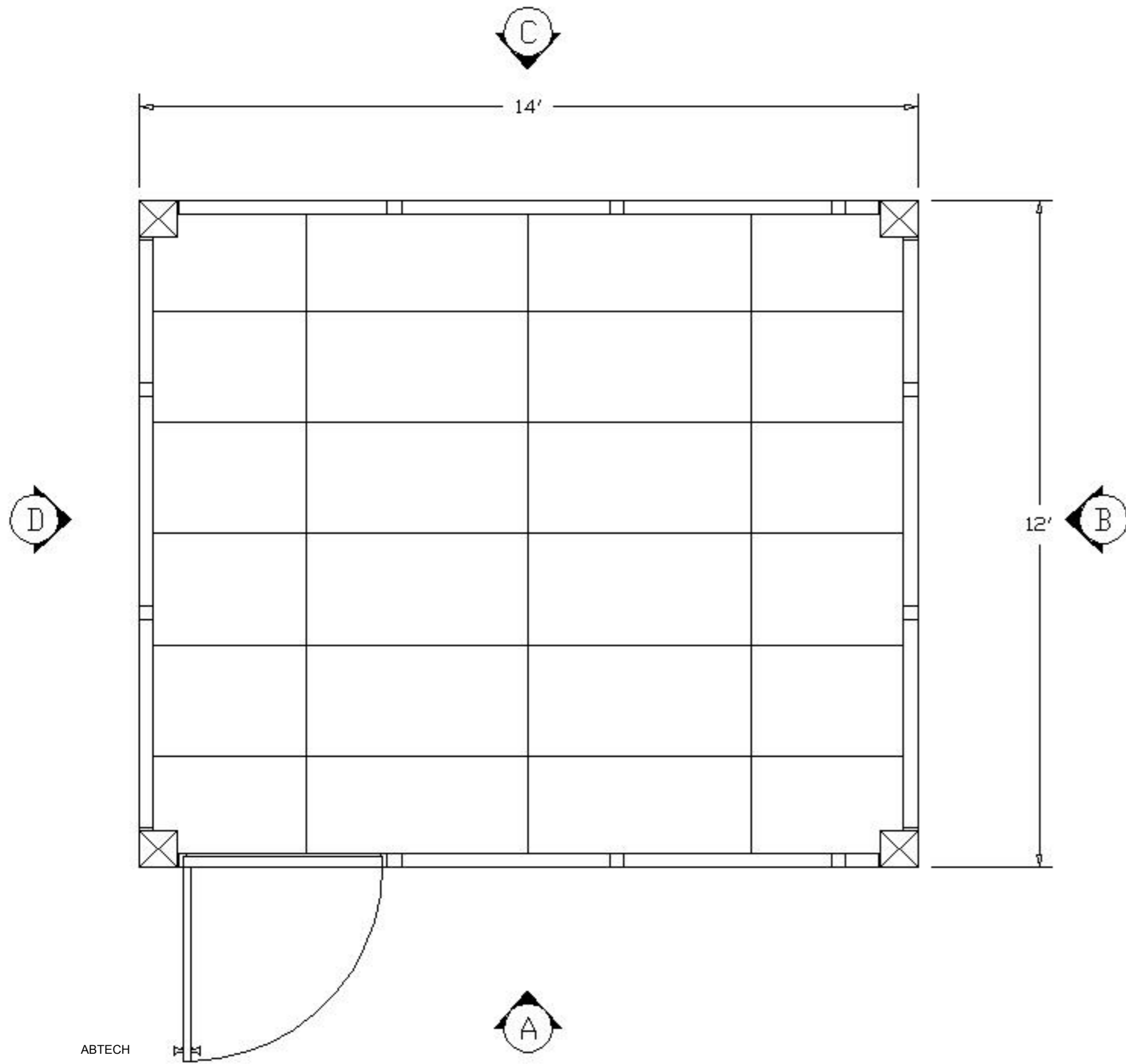


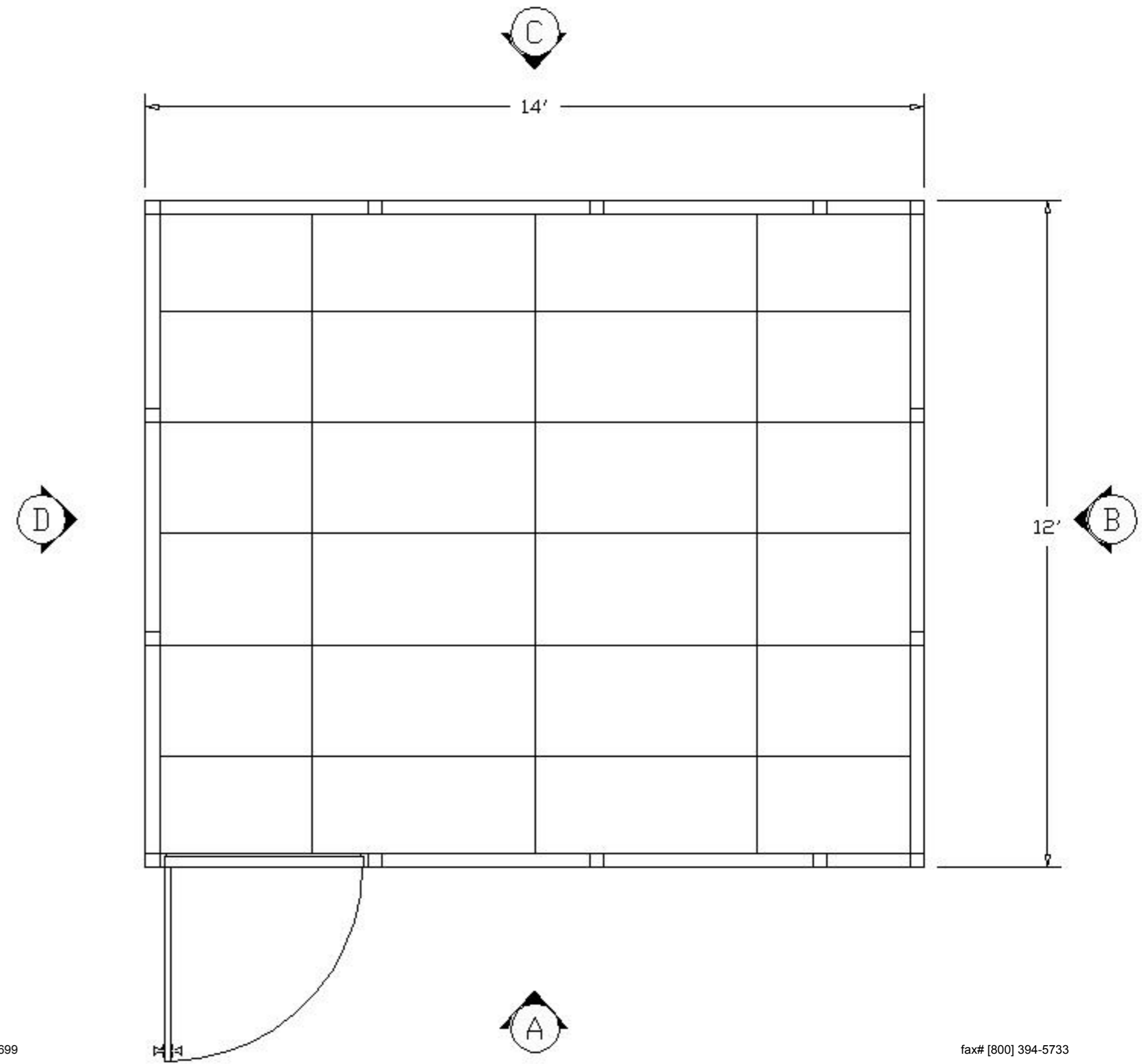
PLEASE MARK DESIRED LOCATION OF OPTIONS
 SHOWN IN LEGEND ON FLOOR PLAN
 IP3-2L-12148

8" SQ. TUBE
 STEEL COLUMN = 

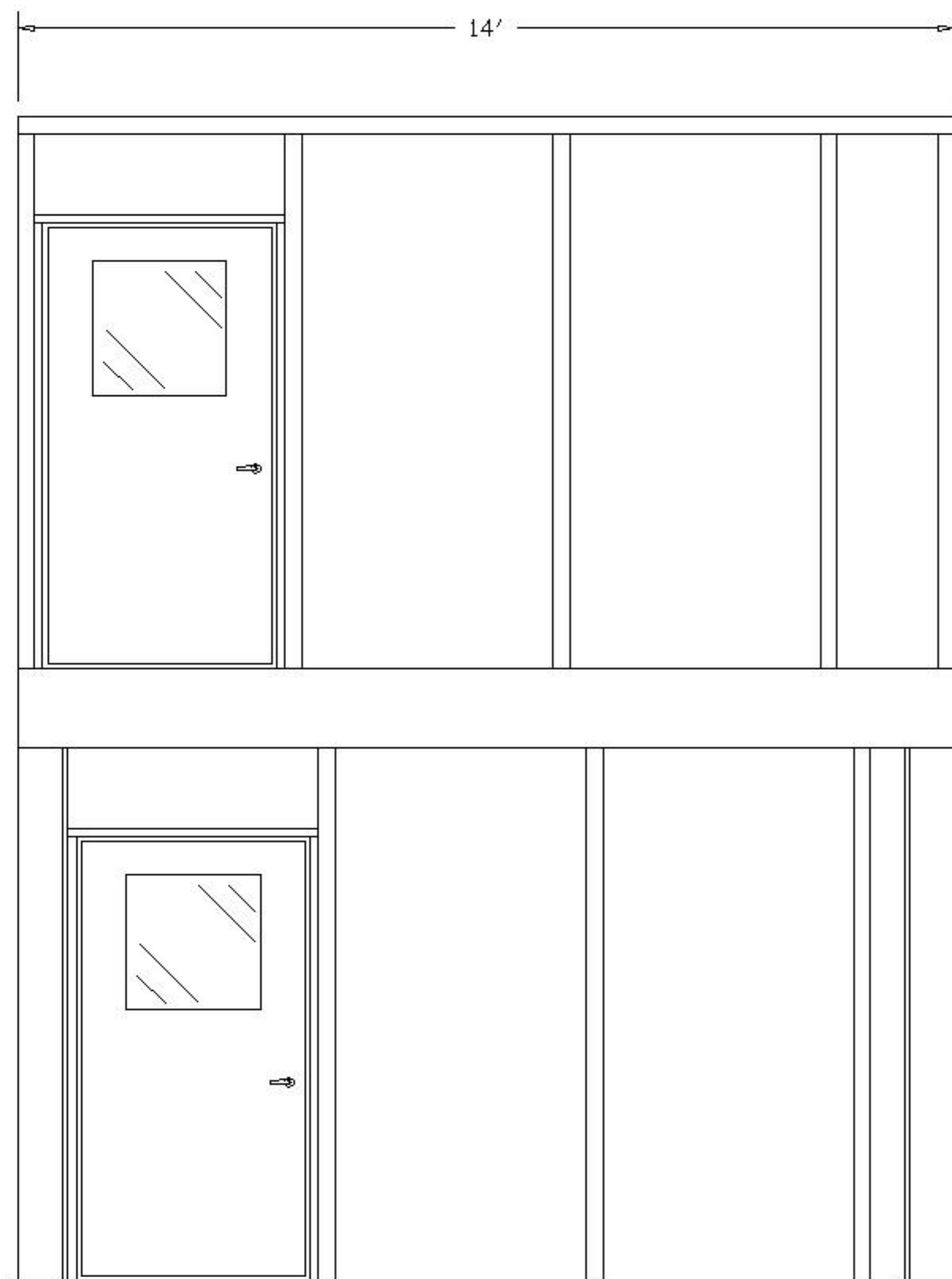
DESCRIPTION	SYMBOL	DESIGNATION
208V OUTLET		
TYP. EMERGENCY FLOOD LIGHTS		E/L
120V DUPLEX OUTLET		
LIGHT SWITCH		
MAIN PANEL		
TYP. 2' X 4' LAY IN 4 TUBE LIGHT FIXTURE		L/F
THRU WALL HVAC UNIT		



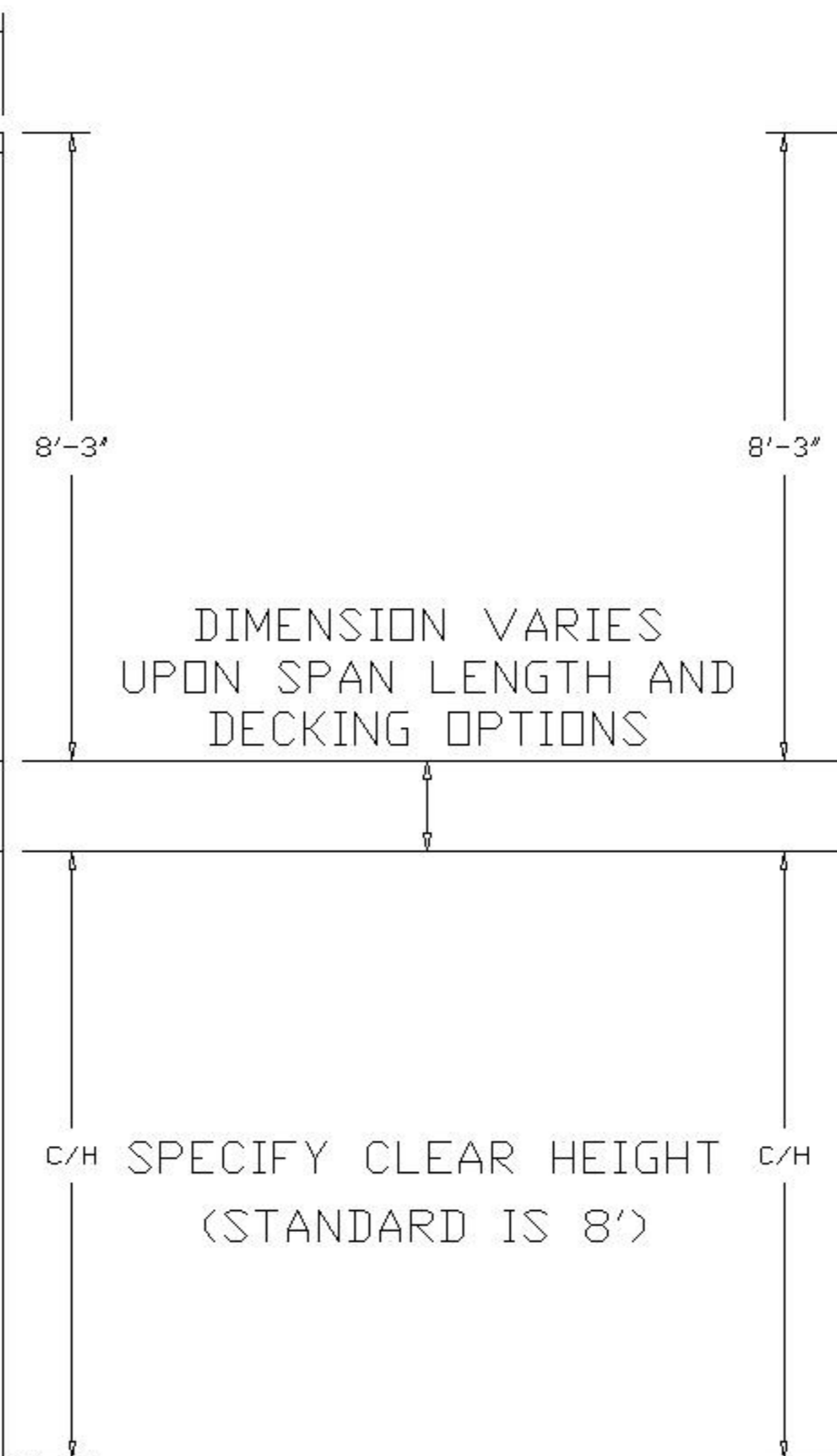
ph.# [800] 394-7699



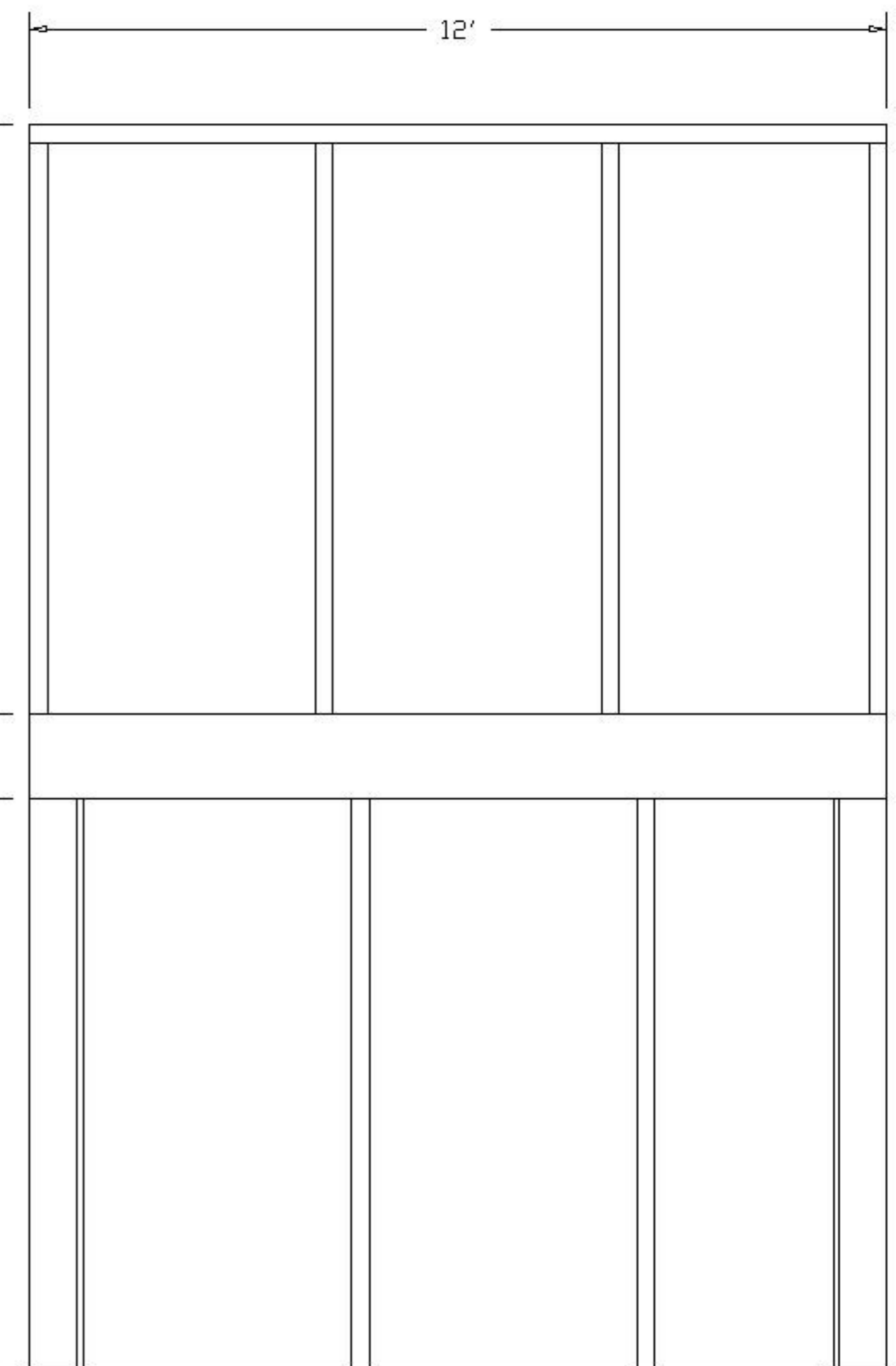
fax# [800] 394-5733



"A" ELEVATION






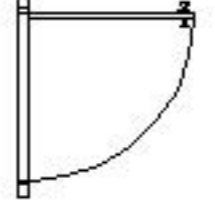
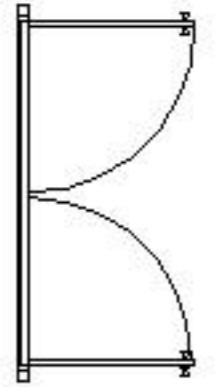
IP3-2L-12148

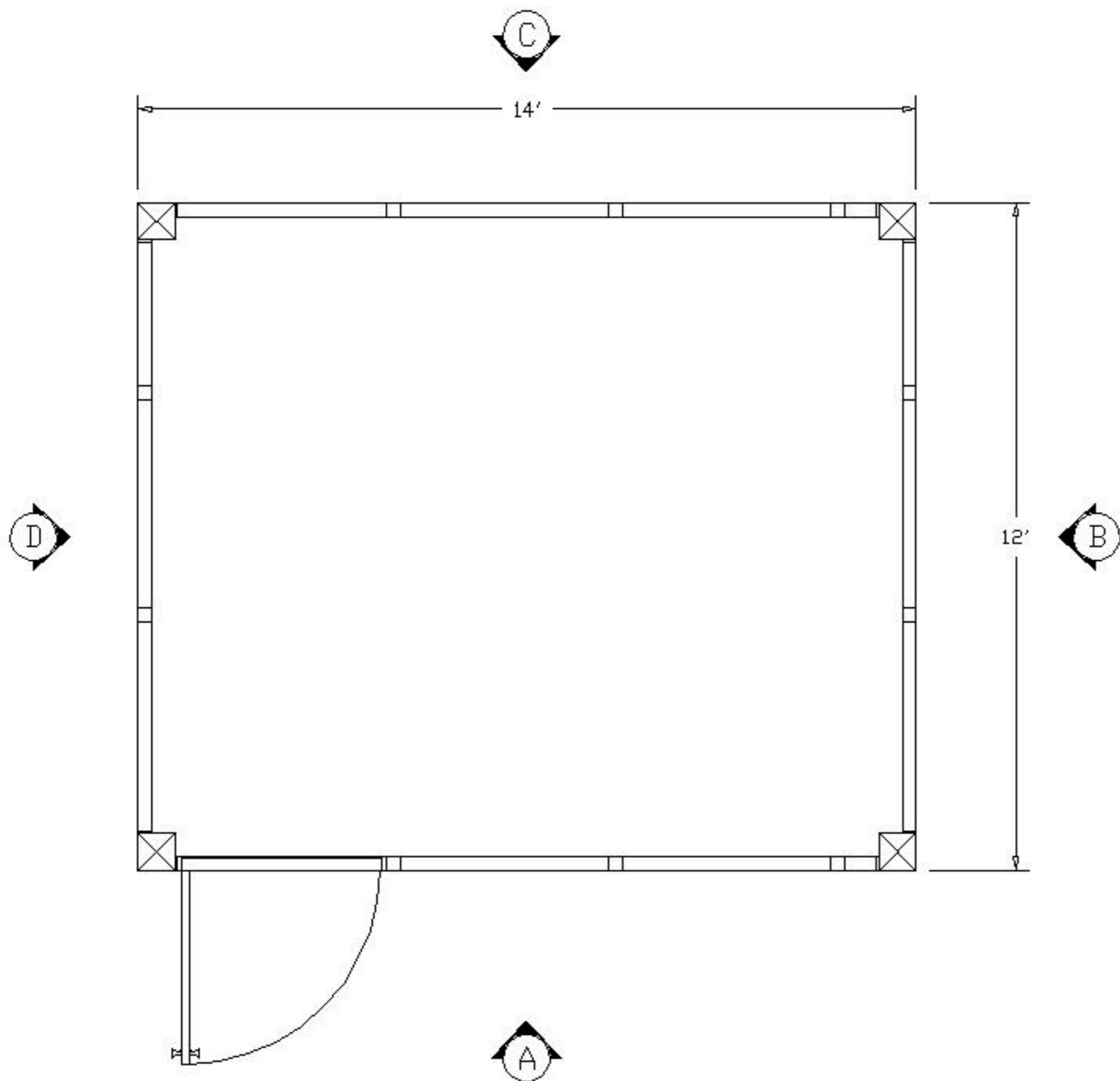


"B" ELEVATION

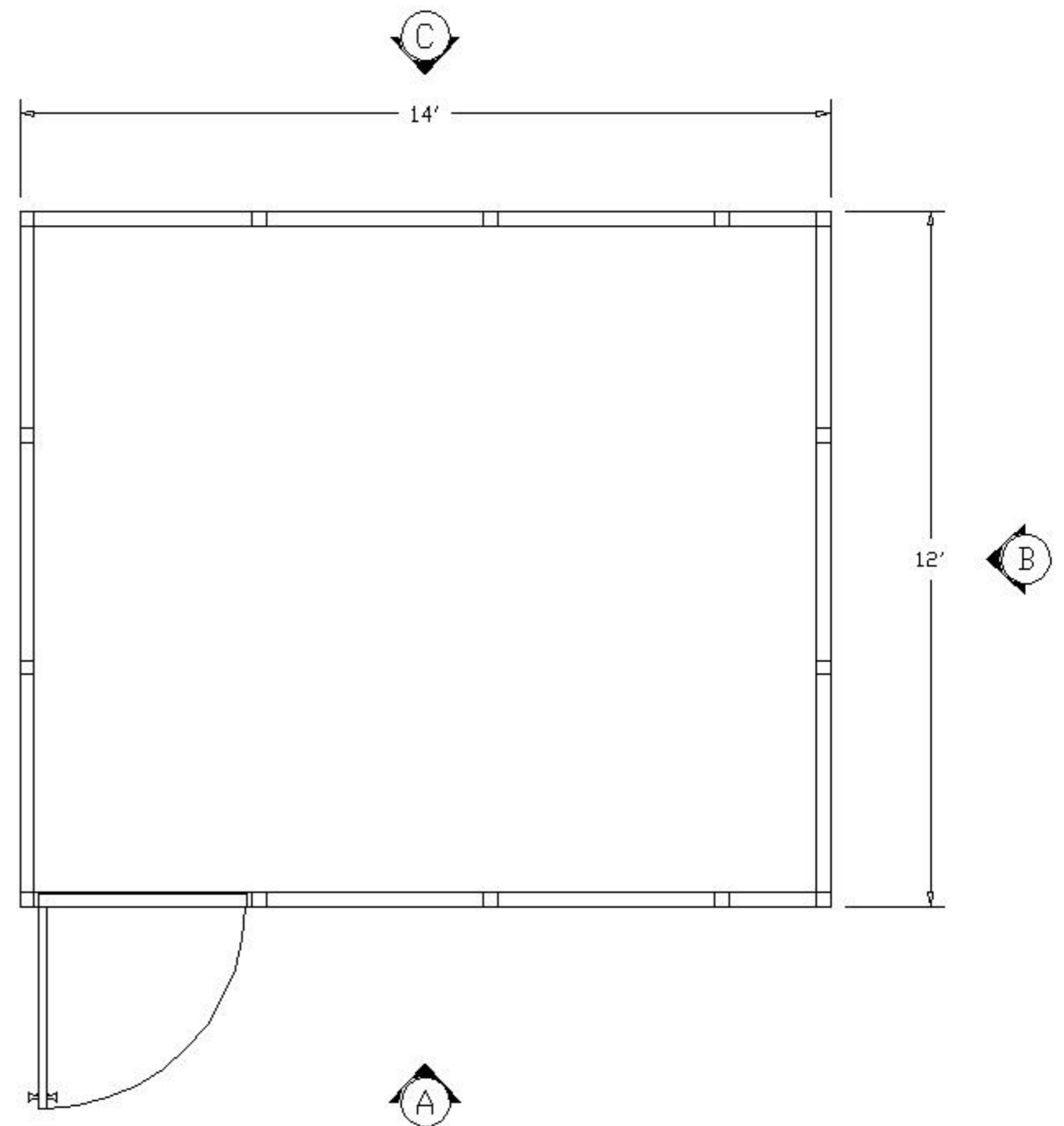
PLEASE MARK DESIRED LOCATION OF OPTIONS
 SHOWN IN LEGEND ON FLOOR PLAN
 IP3-2L-12148

8" SQ. TUBE
 STEEL COLUMN = 

DESCRIPTION	SYMBOL	DESIGNATION
WINDOW PANEL		W/P
SLIDING WINDOW PANEL		SW/P
SOLID PANEL		S/P
42" X 80" DOOR W/ 2' X 2' WINDOW		D/L
DOUBLE DOOR W/ 2' X 2' WINDOW		DD/L



BASE LEVEL





FIRST LEVEL

PLEASE MARK DESIRED LOCATION OF OPTIONS
 SHOWN IN LEGEND ON FLOOR PLAN
 IP3-2L-12148

8" SQ. TUBE
 STEEL COLUMN = 

DESCRIPTION SYMBOL DESIGNATION

TYP. 2'X4'x5/8"
 MINERAL BOARD =  = C/T
 CEILING TILE

TYP. 2' X 4'
 LAY IN 4 TUBE =  = L/F
 LIGHT FIXTURE

