




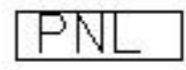
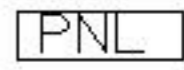
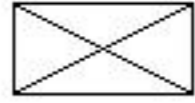


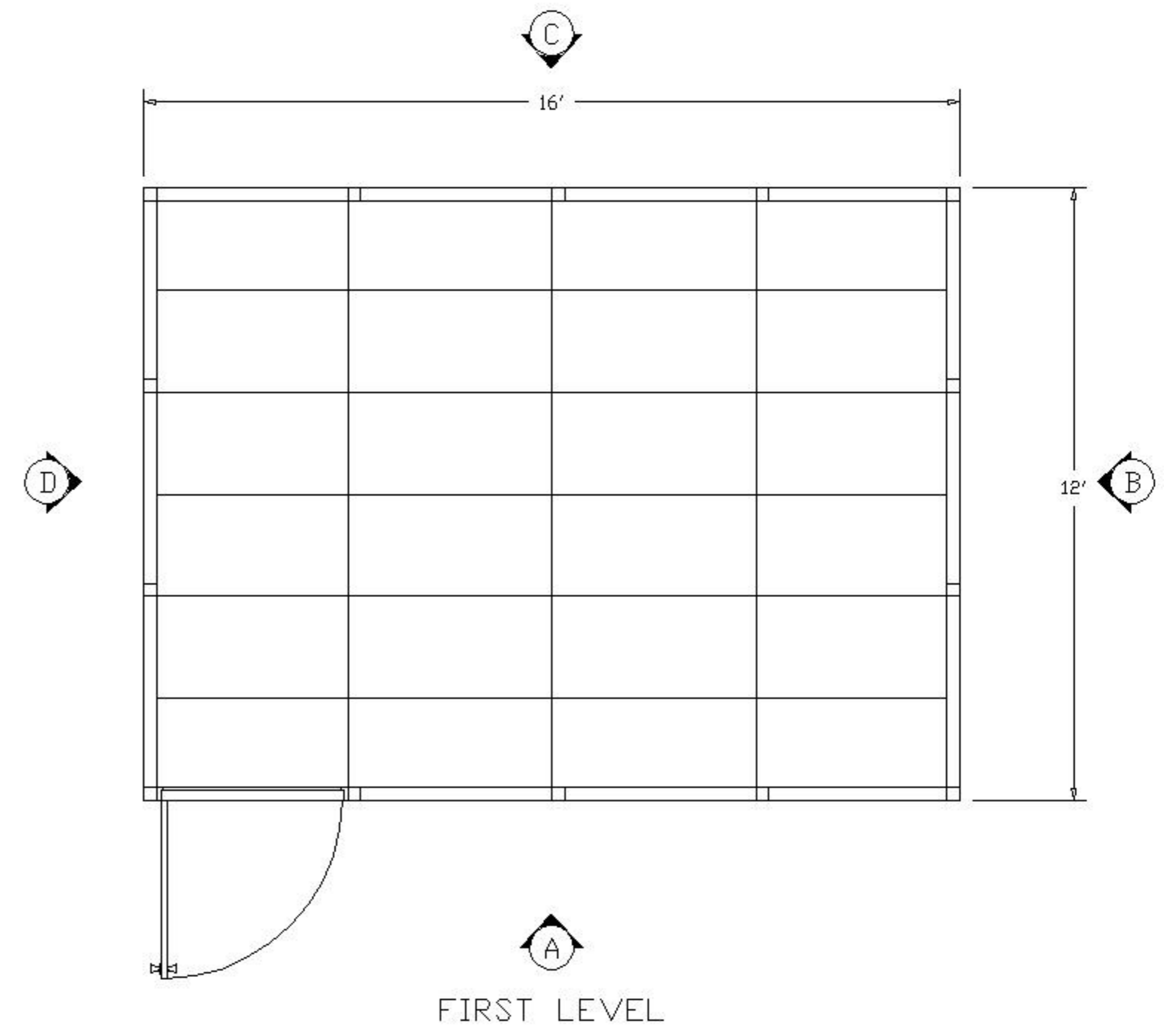
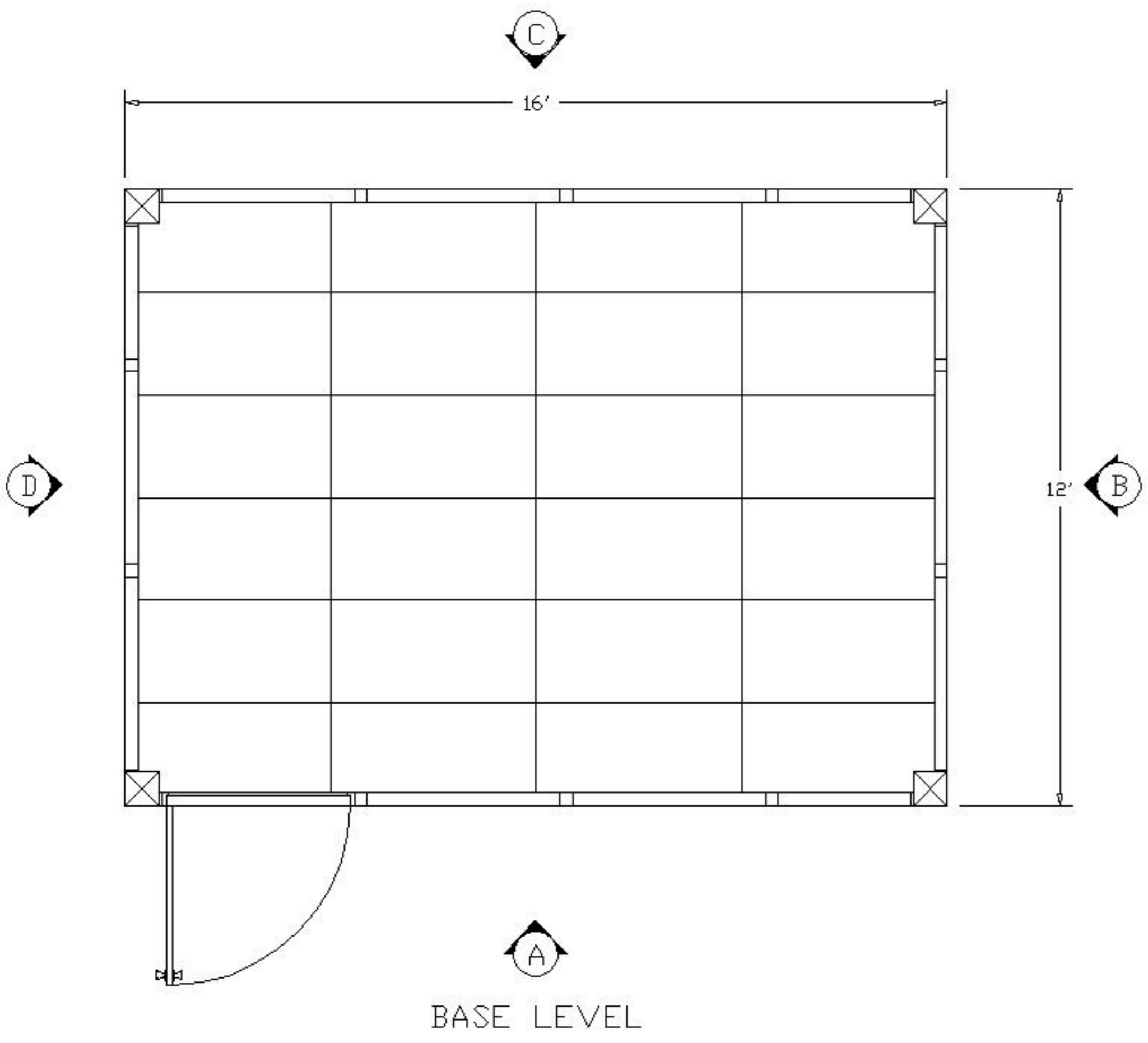
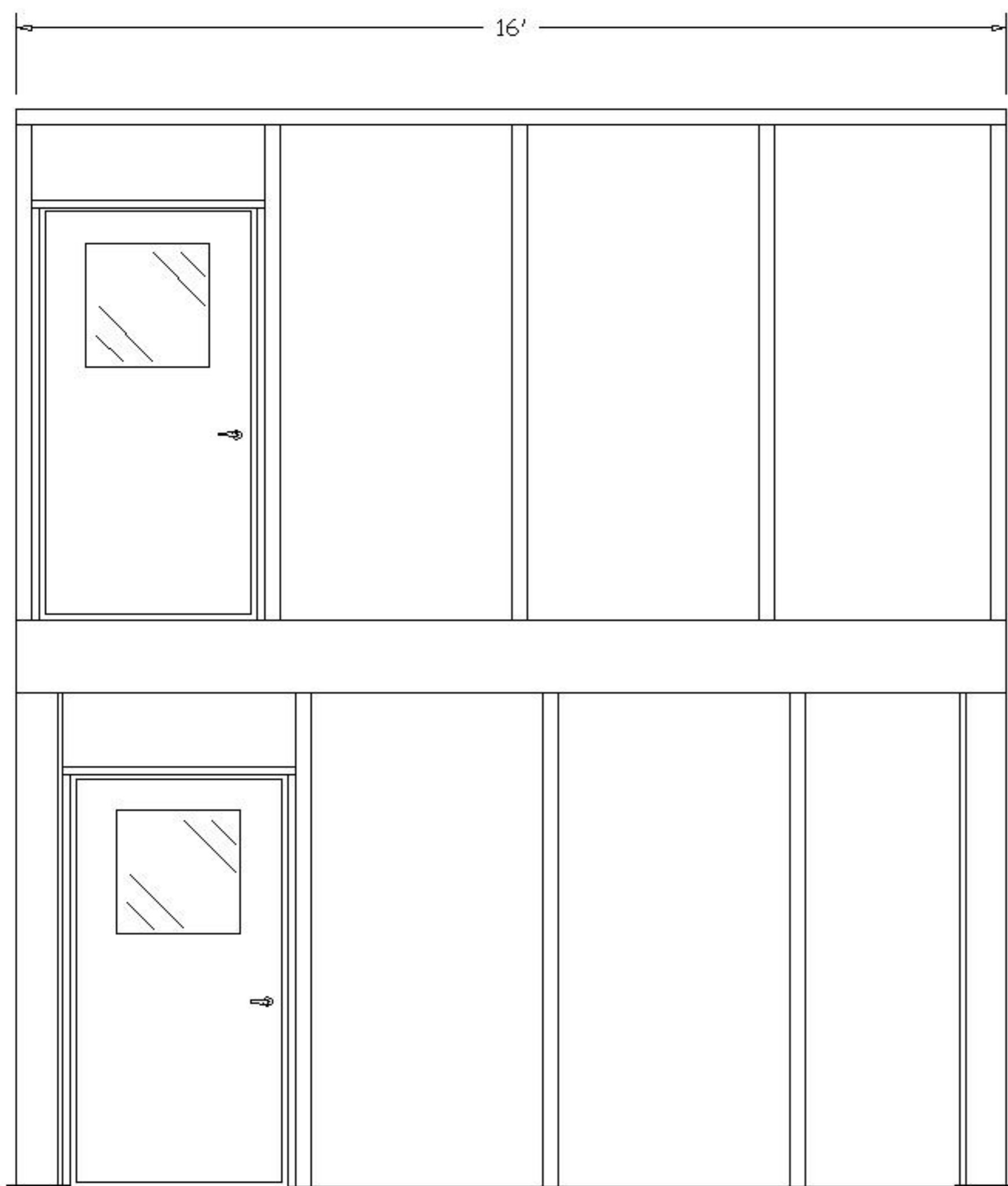


PLEASE MARK DESIRED LOCATION OF OPTIONS
 SHOWN IN LEGEND ON FLOOR PLAN
 IP3-2L-12168

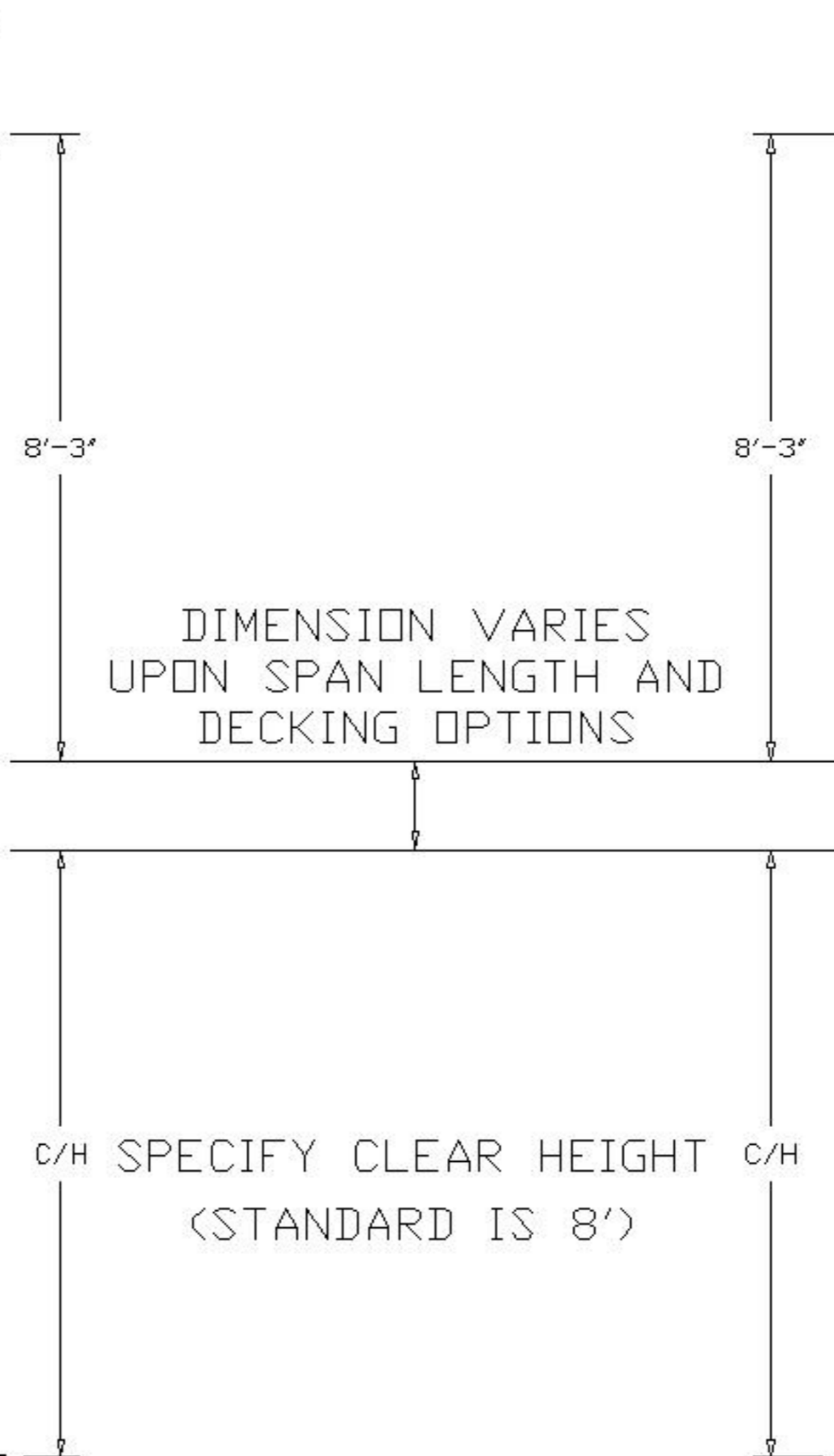
8" SQ. TUBE
 STEEL COLUMN = 

DESCRIPTION	SYMBOL	DESIGNATION
208V OUTLET =		
TYP. EMERGENCY FLOOD LIGHTS =		E/L
120V DUPLEX OUTLET =		
LIGHT SWITCH =	\$	\$
MAIN PANEL =		
TYP. 2' X 4' LAY IN 4 TUBE LIGHT FIXTURE =		L/F
THRU WALL HVAC UNIT =		

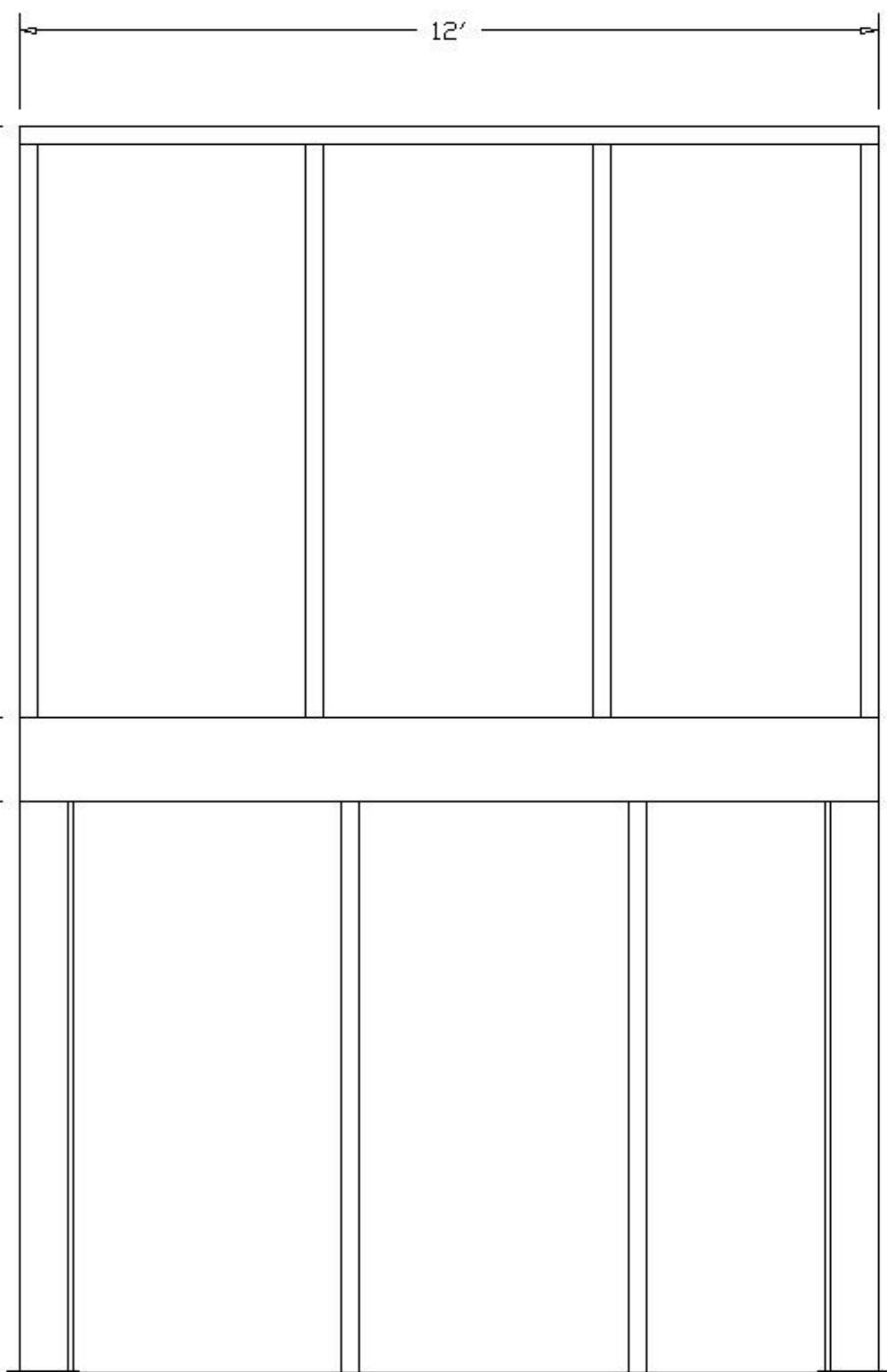




"A" ELEVATION






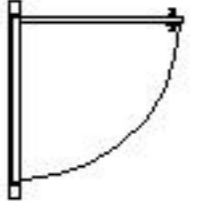
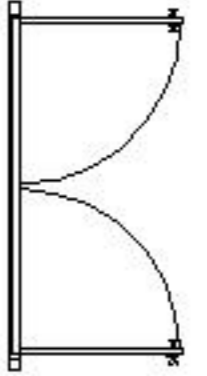
IP3-2L-12168

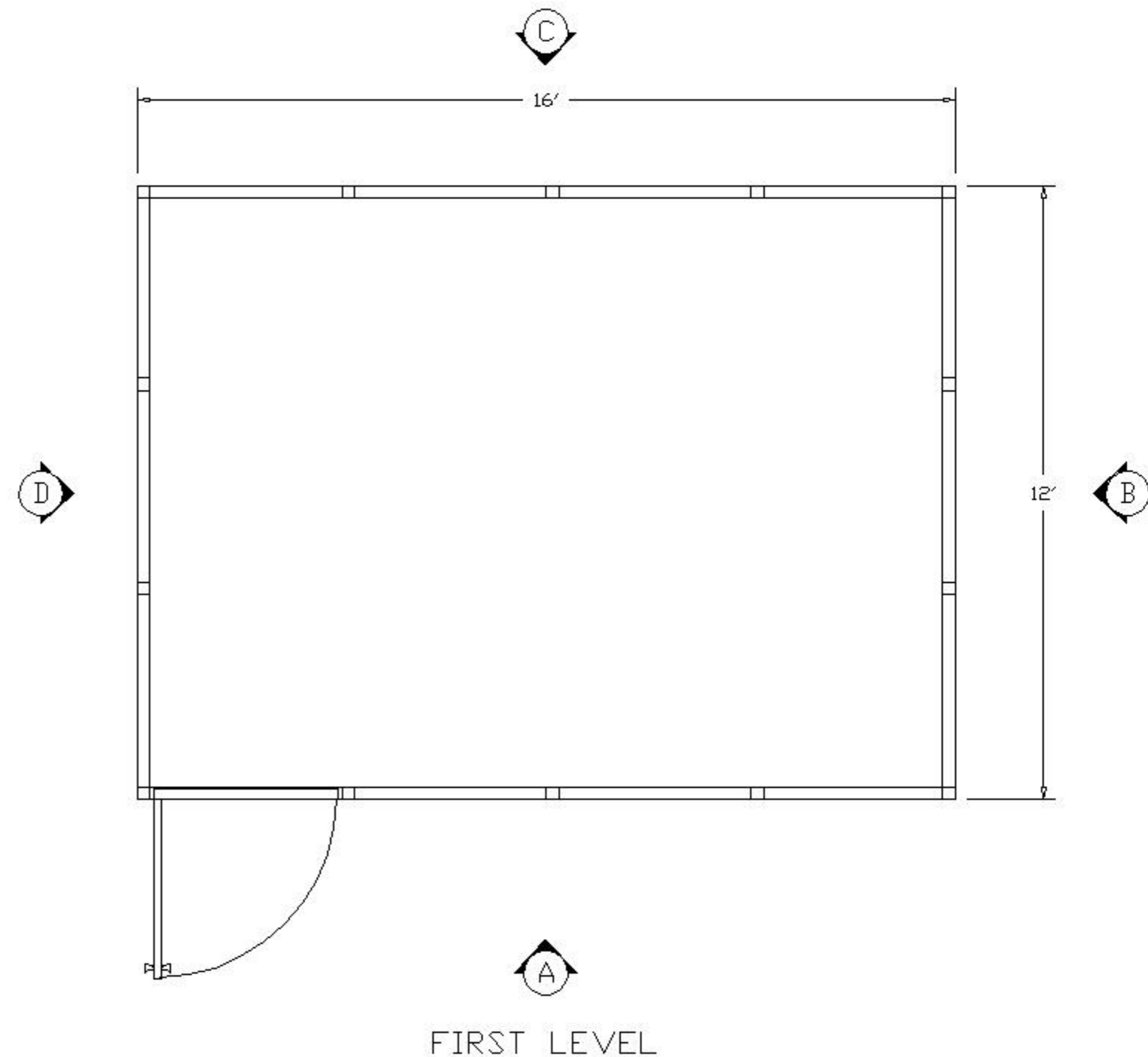
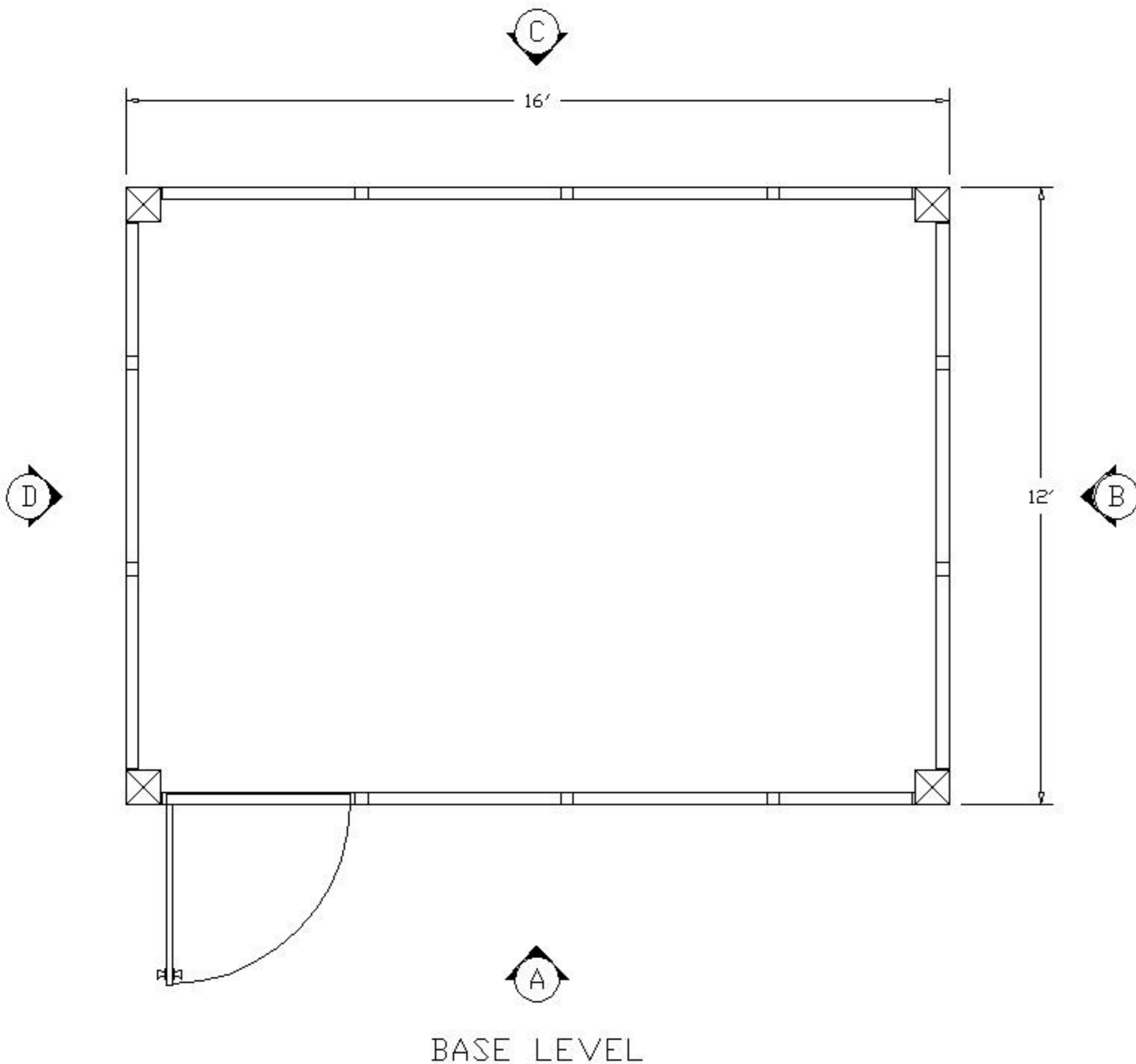


"B" ELEVATION

PLEASE MARK DESIRED LOCATION OF OPTIONS
 SHOWN IN LEGEND ON FLOOR PLAN
 IP3-2L-12168

8" SQ. TUBE
 STEEL COLUMN = 


<u>DESCRIPTION</u>	<u>SYMBOL</u>	<u>DESIGNATION</u>
WINDOW PANEL = 	=	W/P
SLIDING WINDOW PANEL = 	=	SW/P
SOLID PANEL = 	=	S/P
42" X 80" DOOR W/ 2' X 2' WINDOW = 	=	D/L
DOUBLE DOOR W/ 2' X 2' WINDOW = 	=	DD/L

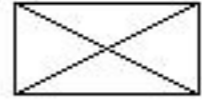


PLEASE MARK DESIRED LOCATION OF OPTIONS
 SHOWN IN LEGEND ON FLOOR PLAN
 IP3-2L-12168

8" SQ. TUBE
 STEEL COLUMN = 

DESCRIPTION SYMBOL DESIGNATION

TYP. 2'X4'x5/8"
 MINERAL BOARD =  = C/T
 CEILING TILE

TYP. 2' X 4'
 LAY IN 4 TUBE =  = L/F
 LIGHT FIXTURE

