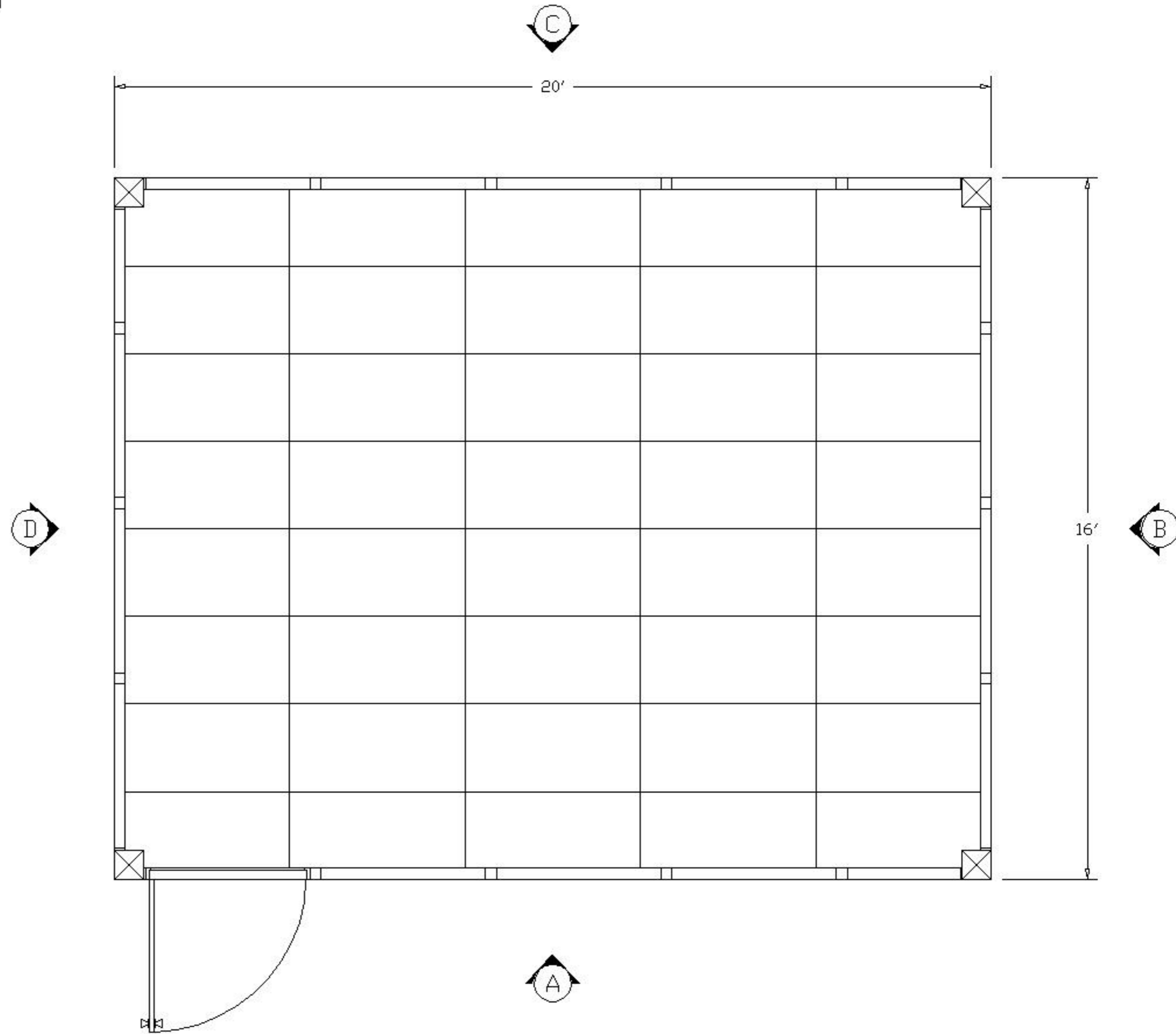



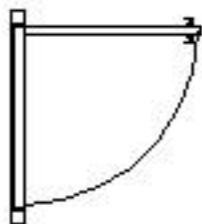
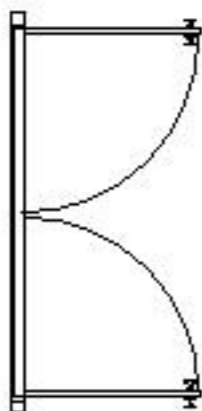



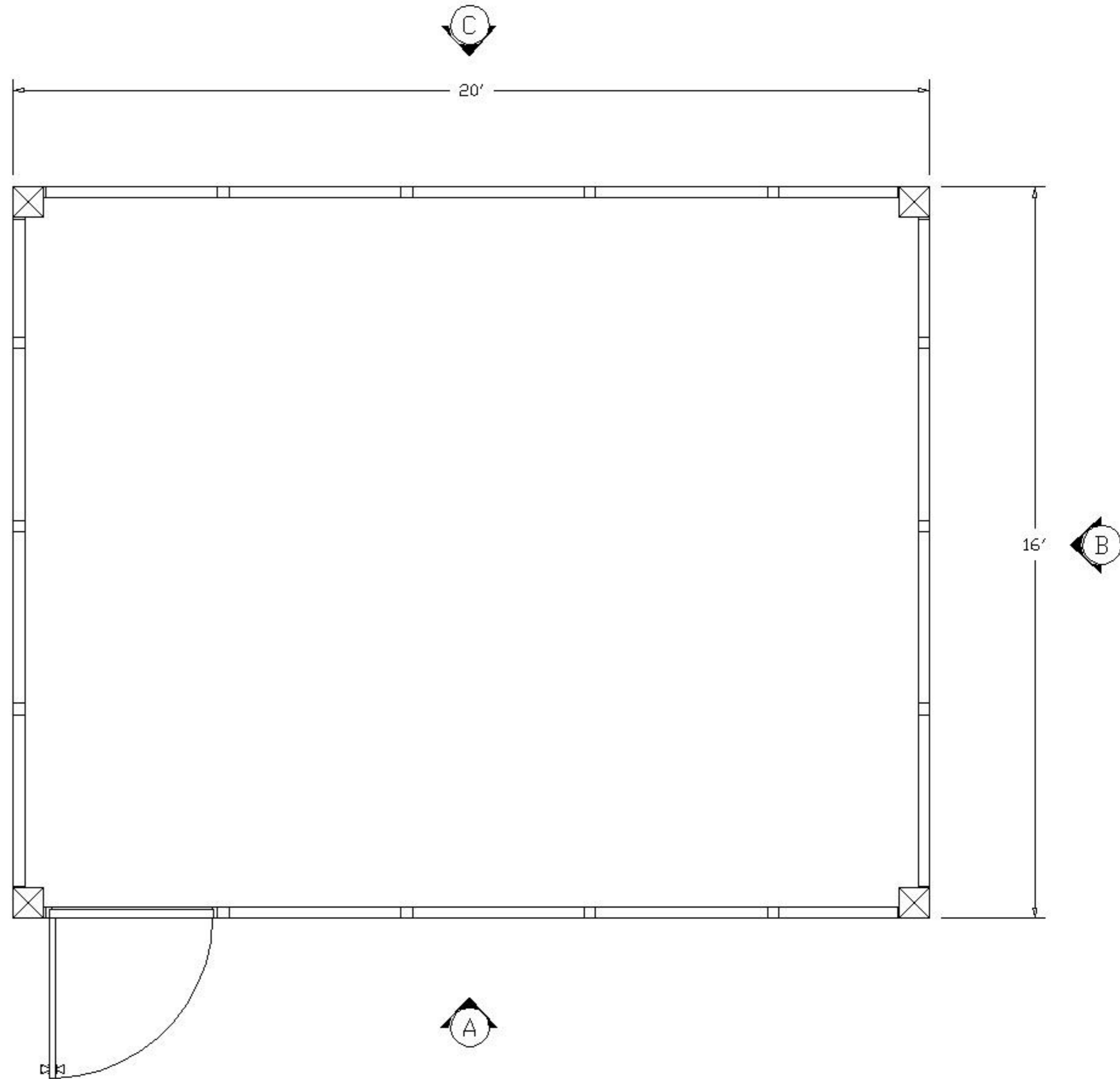
PLEASE MARK DESIRED LOCATION OF OPTIONS
 SHOWN IN LEGEND ON FLOOR PLAN
 IP3-2L-16208, BASE LEVEL

DESCRIPTION	SYMBOL	DESIGNATION
208V OUTLET =	⊕	⊕
TYP. EMERGENCY FLOOD LIGHTS =	⊕	E/L
120V DUPLEX OUTLET =	⊕	⊕
LIGHT SWITCH =	\$	\$
MAIN PANEL =	PNL	PNL
TYP. 2' X 4' LAY IN 4 TUBE LIGHT FIXTURE =	⊗	L/F
THRU WALL HVAC UNIT =	HVAC	HVAC
8" SQ. TUBE STEEL COLUMN =	⊗	






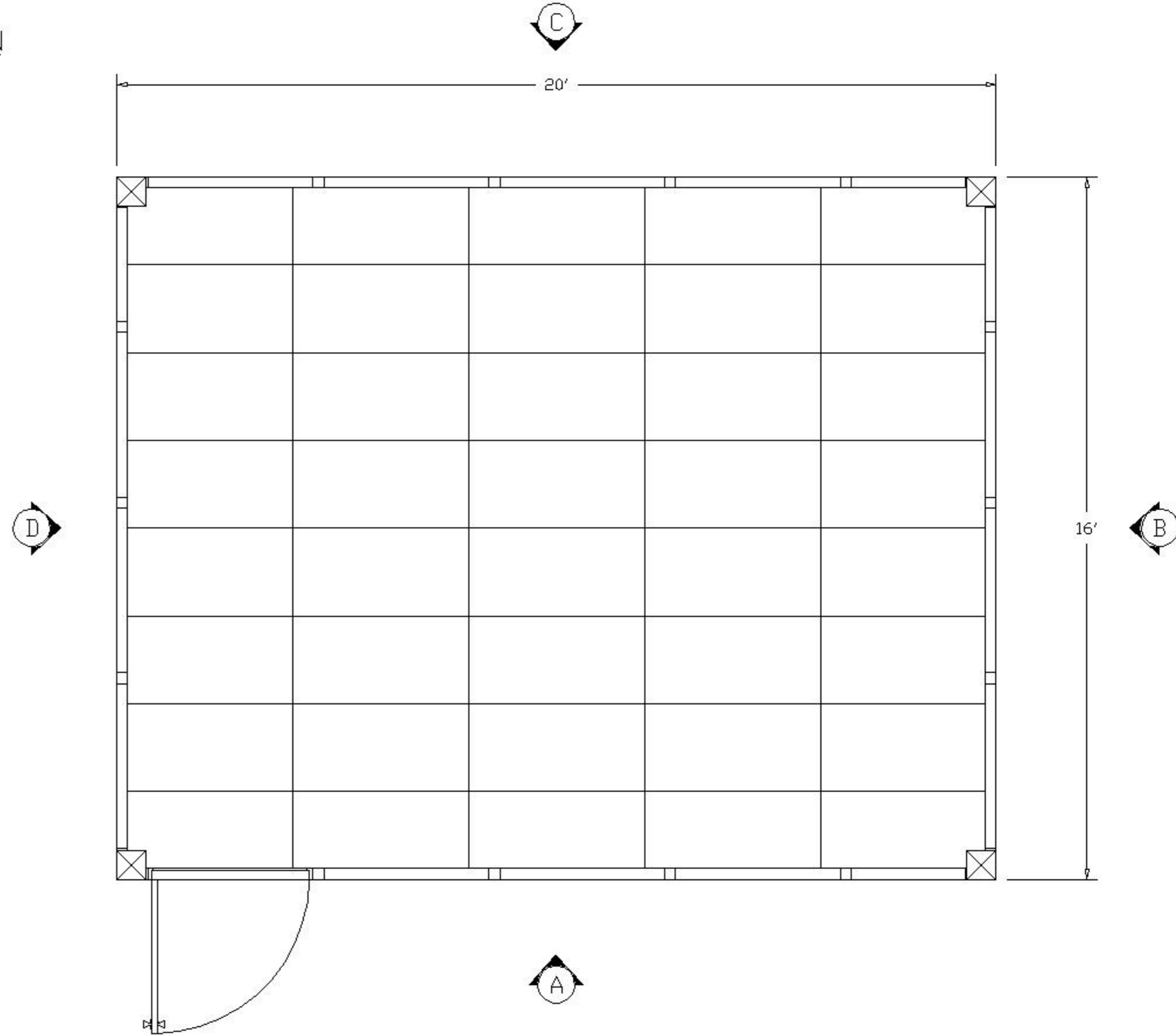
PLEASE MARK DESIRED LOCATION OF OPTIONS
 SHOWN IN LEGEND ON FLOOR PLAN
 IP3-2L-16208, BASE LEVEL

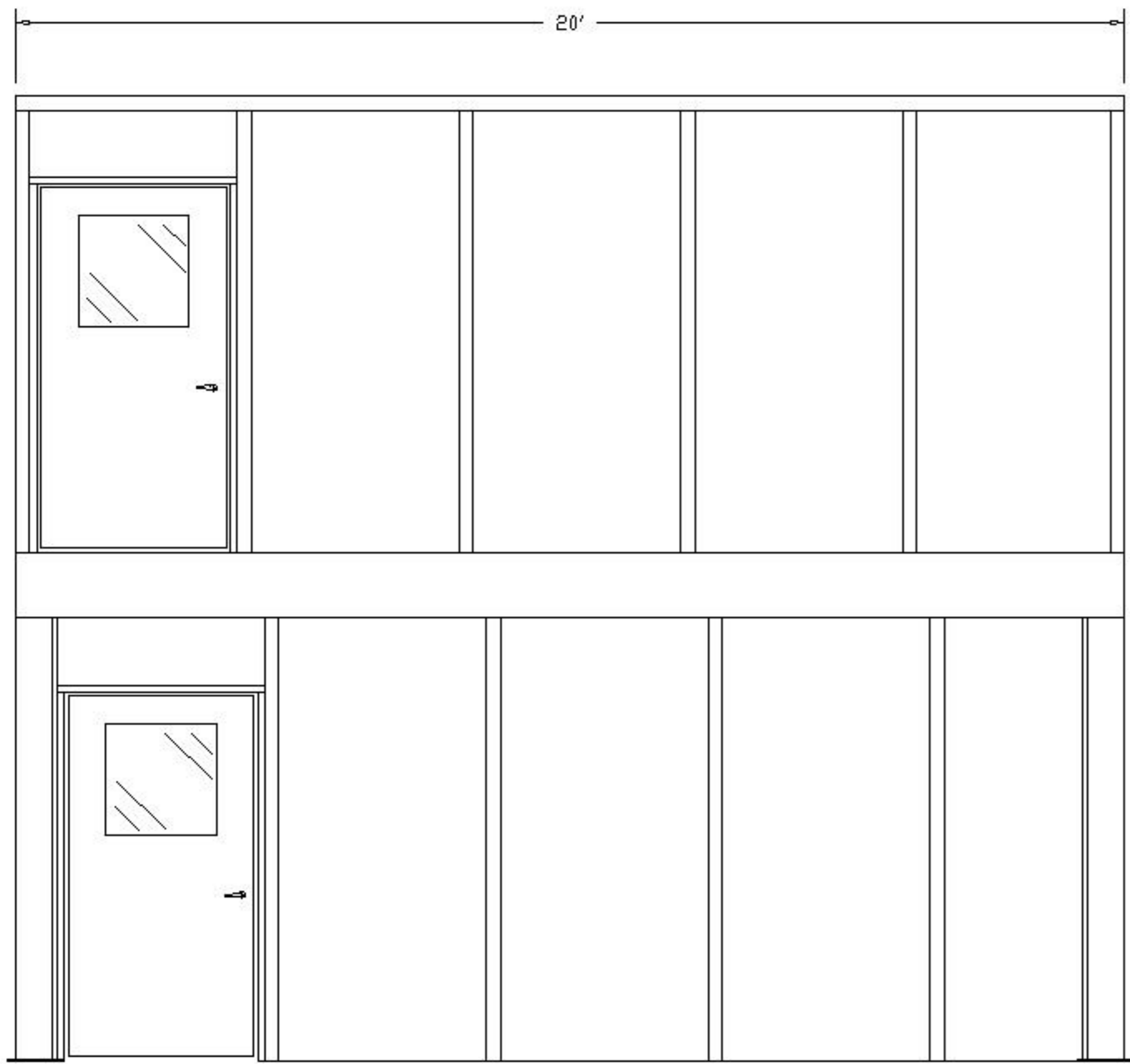
DESCRIPTION	SYMBOL	DESIGNATION
WINDOW PANEL		W/P
SLIDING WINDOW PANEL		SW/P
SOLID PANEL		S/P
42" X 80" DOOR W/ 2' X 2' WINDOW		D/L
DOUBLE DOOR W/ 2' X 2' WINDOW		DD/L
8" SQ. TUBE STEEL COLUMN		



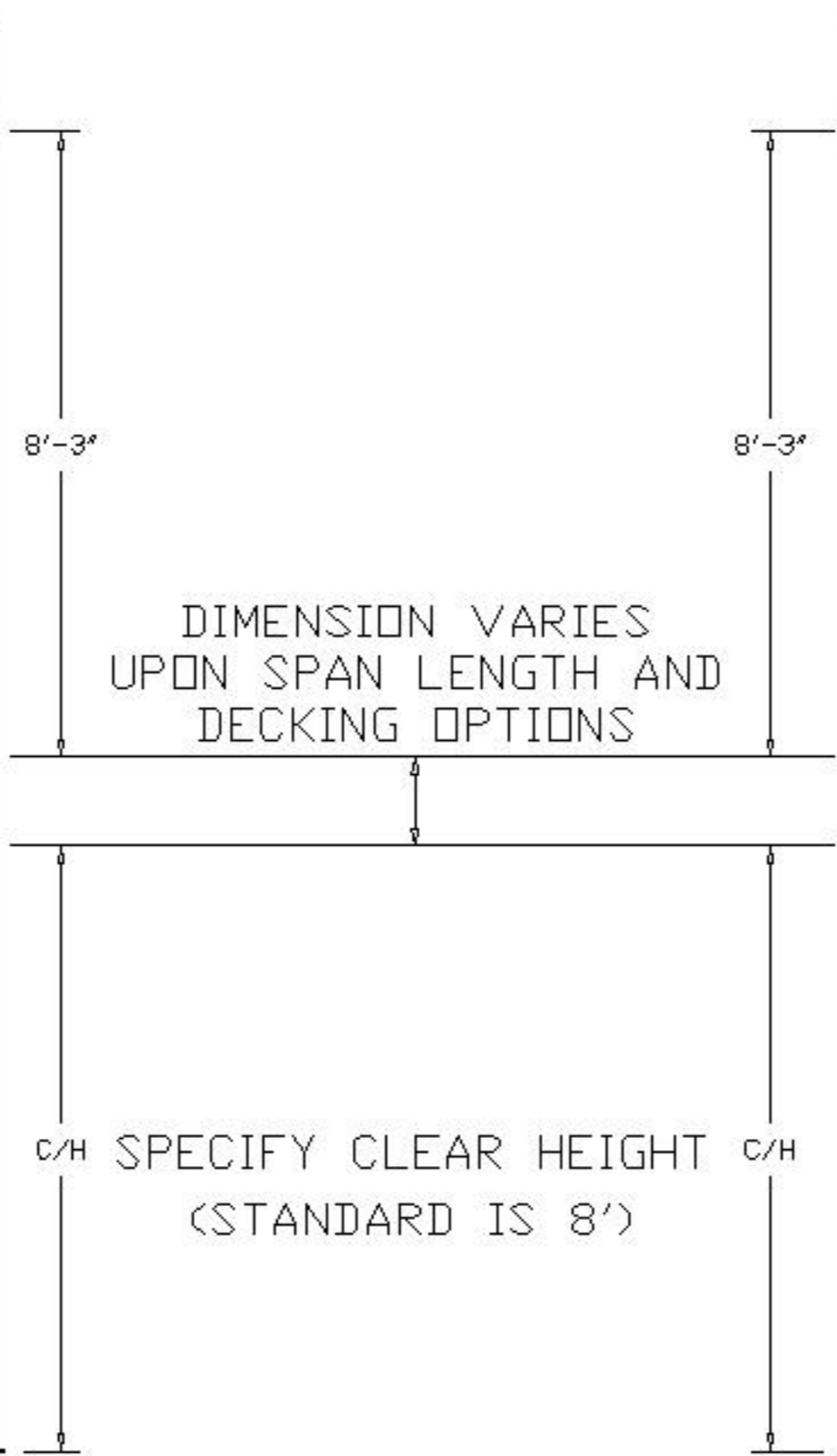
PLEASE MARK DESIRED LOCATION OF OPTIONS
 SHOWN IN LEGEND ON FLOOR PLAN
 IP3-2L-16208, BASE LEVEL

<u>DESCRIPTION</u>	<u>SYMBOL</u>	<u>DESIGNATION</u>
TYP. 2'X4'x5/8" MINERAL BOARD CEILING TILE =		= C/T
TYP. 2' X 4' LAY IN 4 TUBE LIGHT FIXTURE =		= L/F
8" SQ. TUBE STEEL COLUMN =		

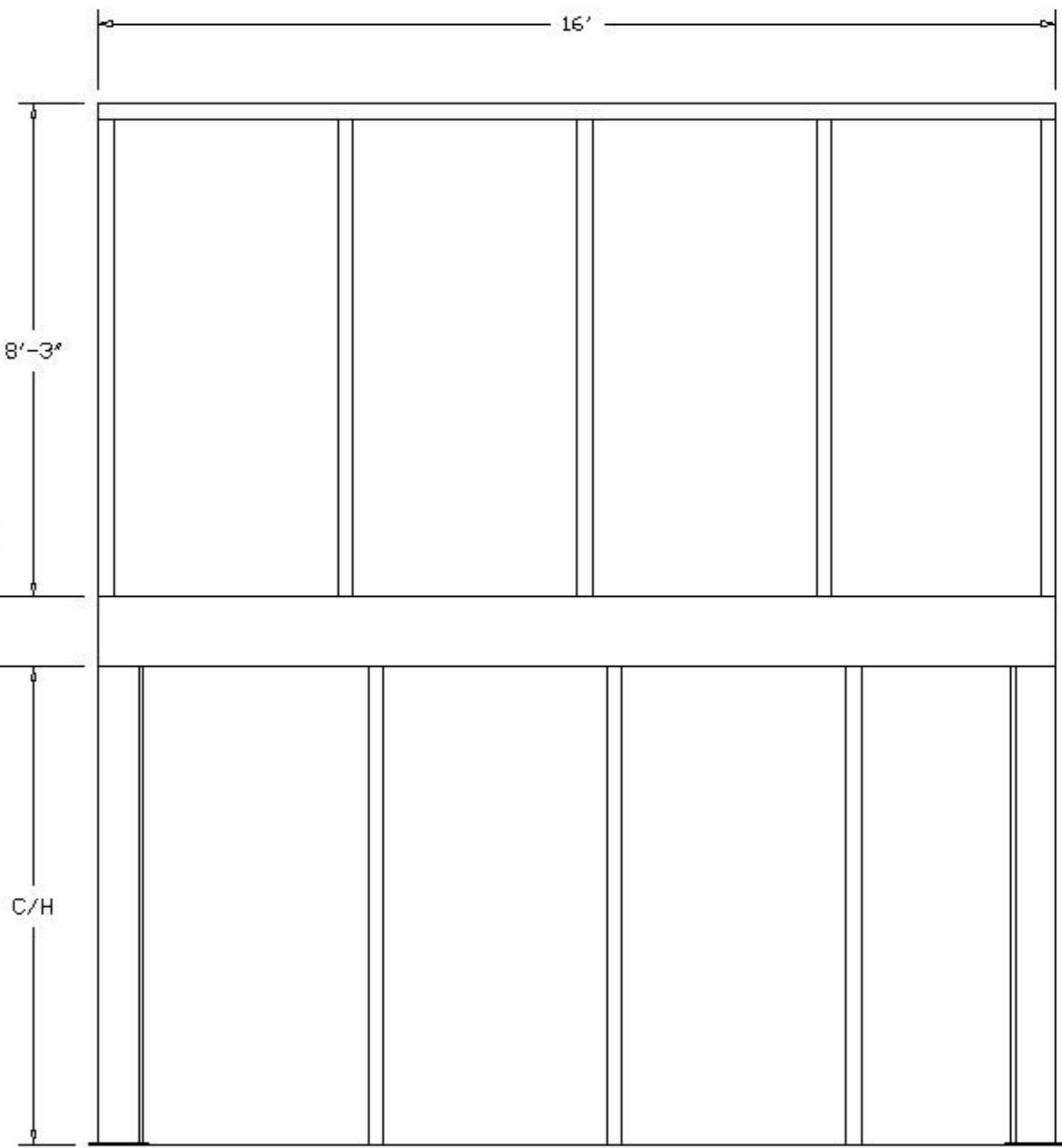




"A" ELEVATION



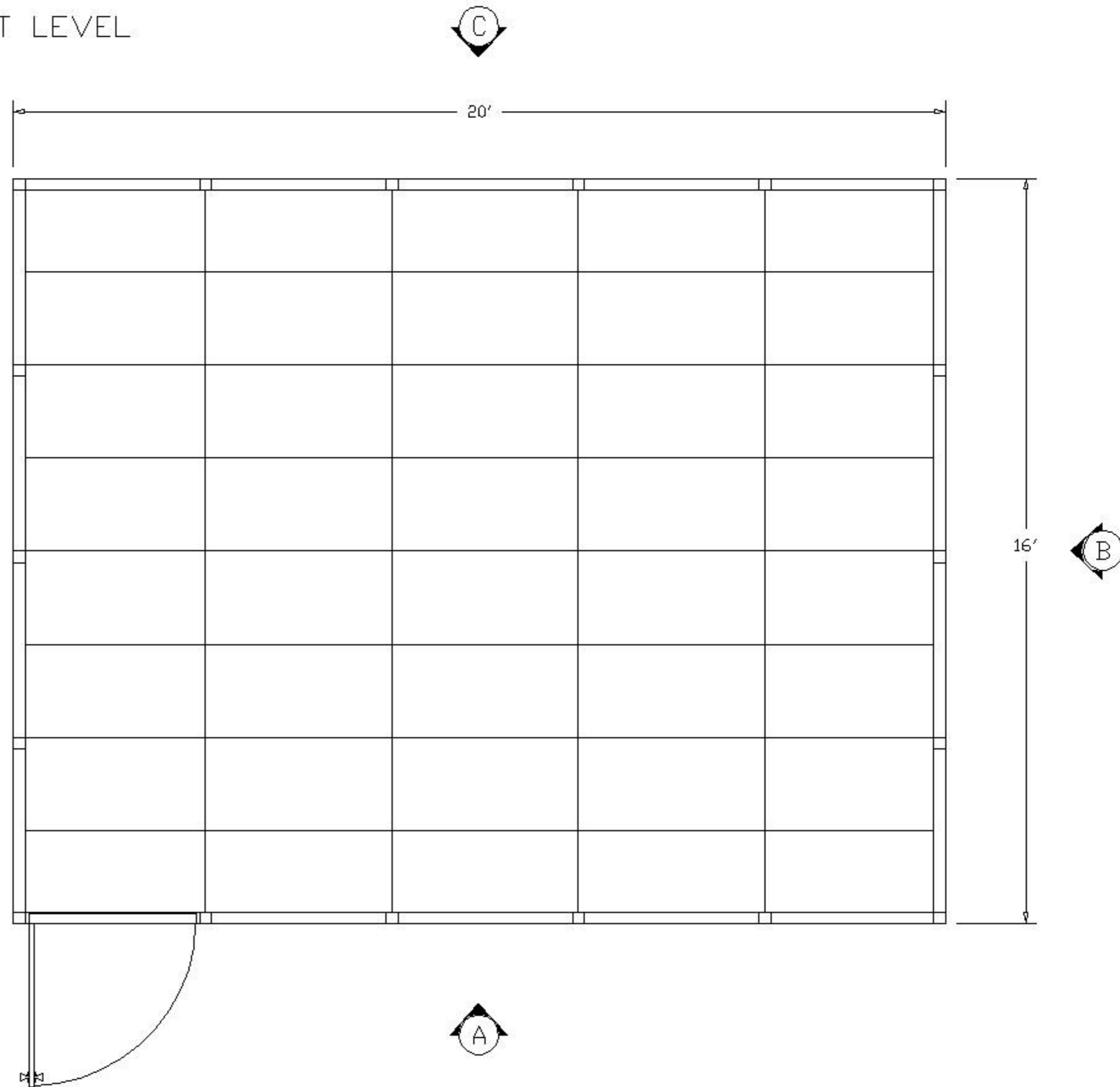
IP3-2L-16208





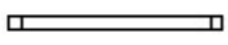
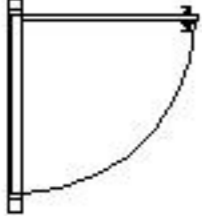
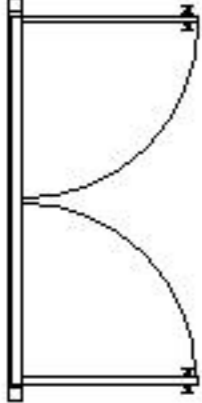
"B" ELEVATION

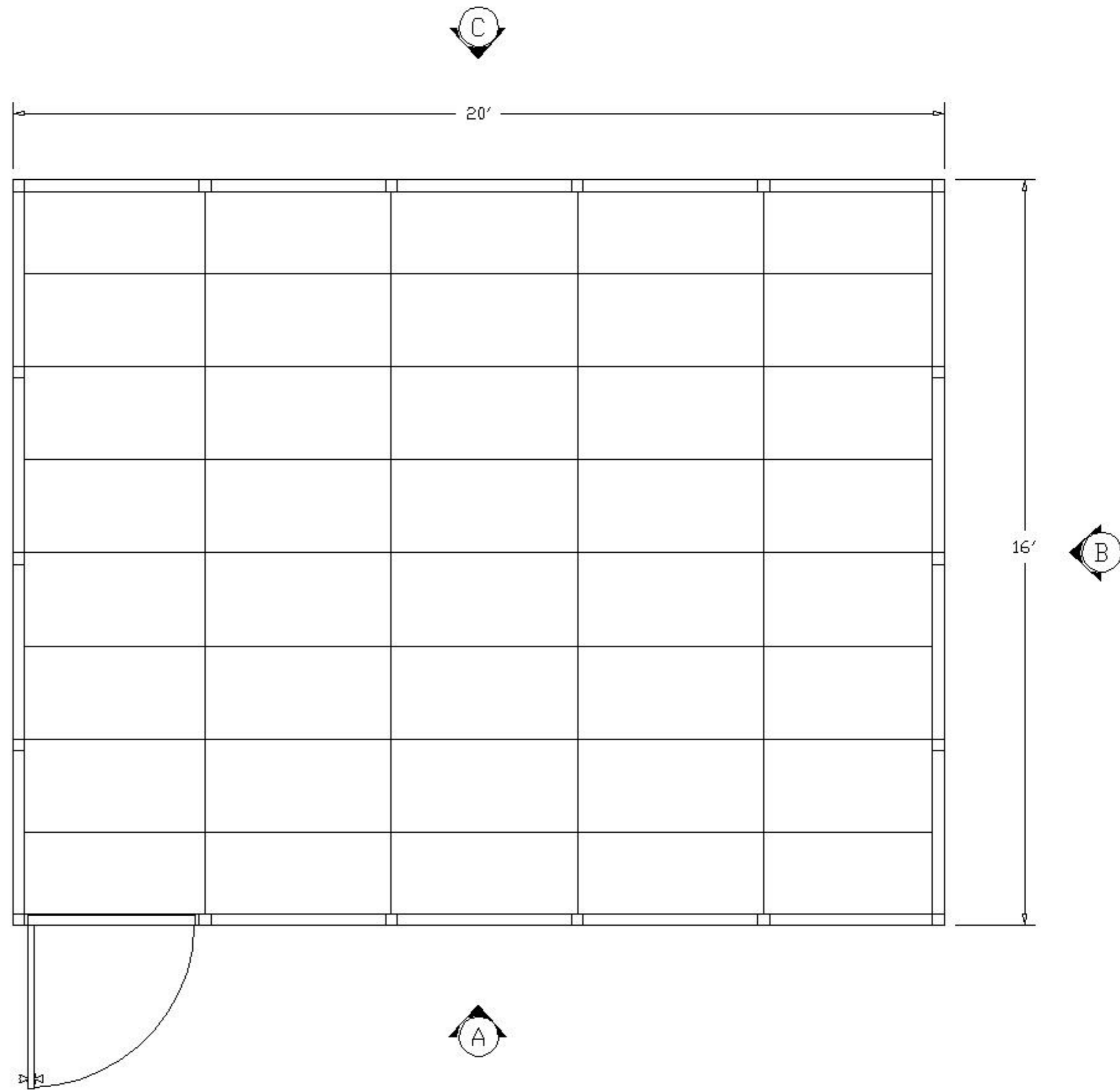
PLEASE MARK DESIRED LOCATION OF OPTIONS
 SHOWN IN LEGEND ON FLOOR PLAN
 IP3-2L-16208, FIRST LEVEL

DESCRIPTION	SYMBOL	DESIGNATION
208V OUTLET	⌀	⌀
TYP. EMERGENCY FLOOD LIGHTS		E/L
120V DUPLEX OUTLET	⌀	⌀
LIGHT SWITCH	\$	\$
MAIN PANEL	PNL	PNL
TYP. 2' X 4' LAY IN 4 TUBE LIGHT FIXTURE		L/F
THRU WALL HVAC UNIT	HVAC	HVAC
8" SQ. TUBE STEEL COLUMN		



PLEASE MARK DESIRED LOCATION OF OPTIONS
 SHOWN IN LEGEND ON FLOOR PLAN
 IP3-2L-16208, FIRST LEVEL

<u>DESCRIPTION</u>	<u>SYMBOL</u>	<u>DESIGNATION</u>
WINDOW PANEL =		= W/P
SLIDING WINDOW PANEL =		= SW/P
SOLID PANEL =		= S/P
42" X 80" DOOR W/ 2' X 2' WINDOW =		= D/L
DOUBLE DOOR W/ 2' X 2' WINDOW =		= DD/L



PLEASE MARK DESIRED LOCATION OF OPTIONS
 SHOWN IN LEGEND ON FLOOR PLAN
 IP3-2L-16208, FIRST LEVEL

DESCRIPTION

SYMBOL

DESIGNATION

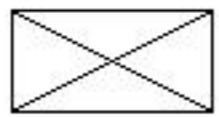
TYP. 2'X4'x5/8"
 MINERAL BOARD =
 CEILING TILE



=

C/T

TYP. 2' X 4'
 LAY IN 4 TUBE =
 LIGHT FIXTURE



=

L/F

