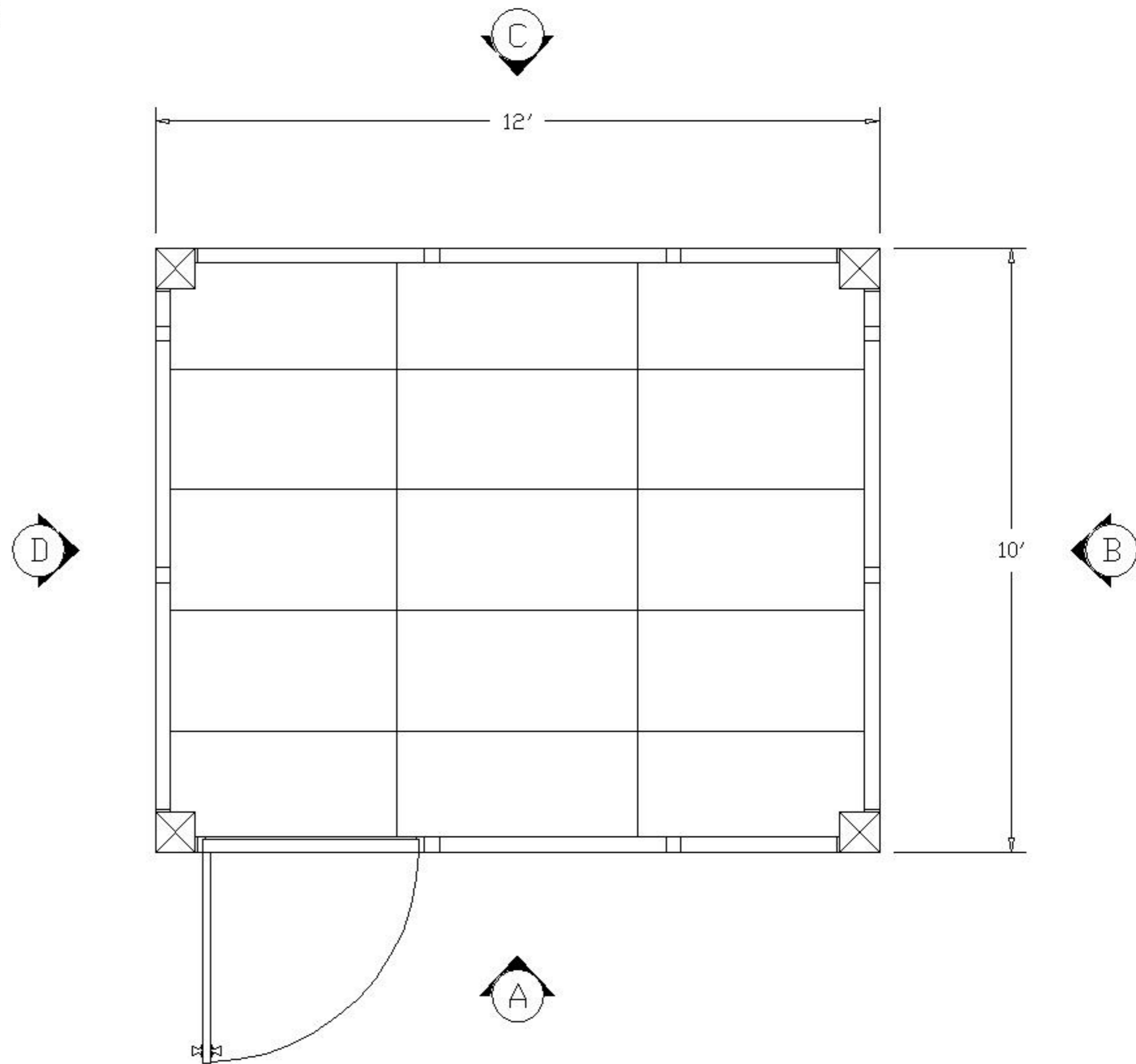
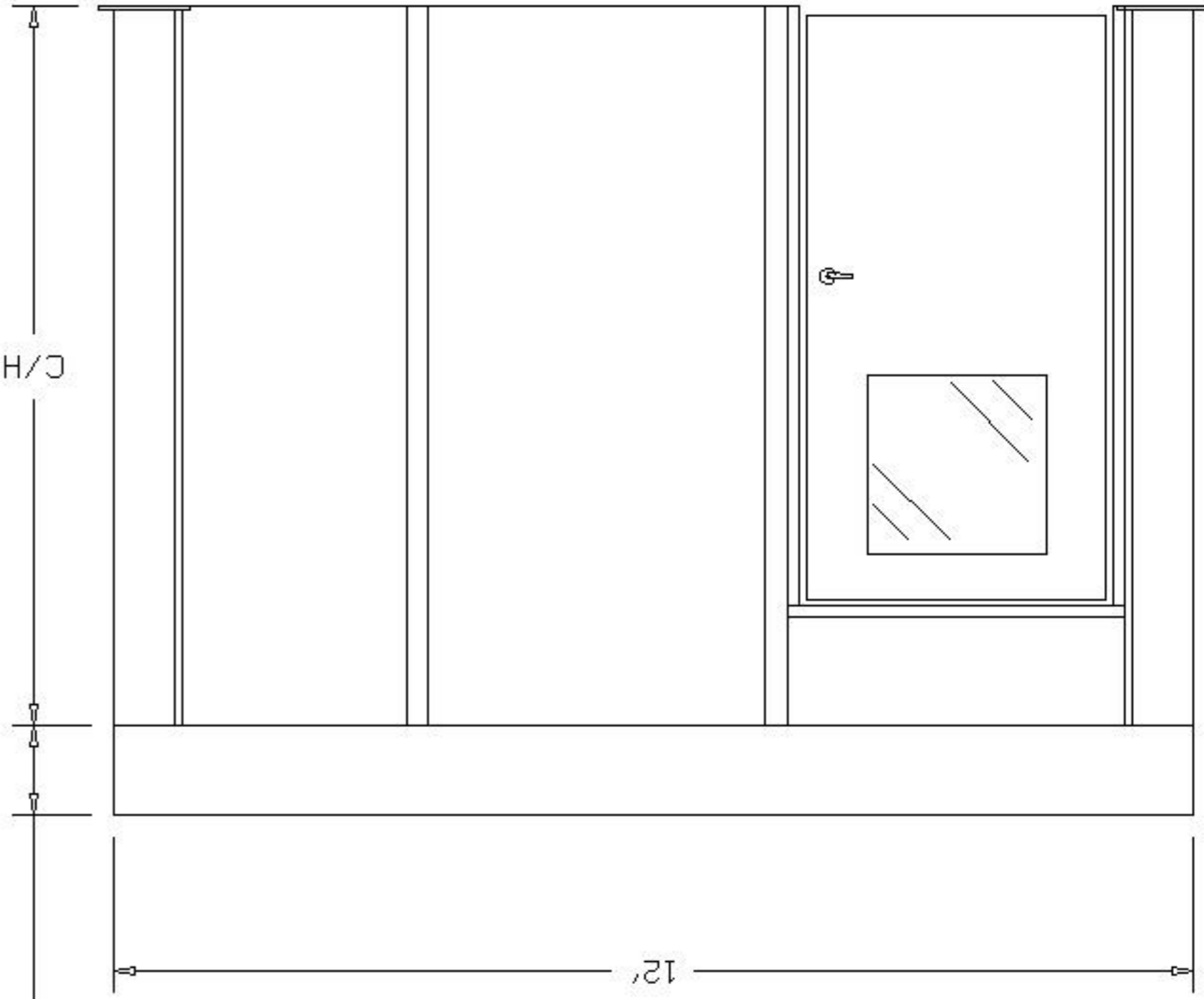


PLEASE MARK DESIRED LOCATION OF OPTIONS  
 SHOWN IN LEGEND ON FLOOR PLAN  
 IP3-STM-10128

<u>DESCRIPTION</u>	<u>SYMBOL</u>	<u>DESIGNATION</u>
208V OUTLET =	⊕	⊕
TYP. EMERGENCY FLOOD LIGHTS =		E/L
120V DUPLEX OUTLET =	⊕	⊕
LIGHT SWITCH =	\$	\$
MAIN PANEL =		
TYP. 2' X 4' LAY IN 4 TUBE LIGHT FIXTURE =		L/F
THRU WALL HVAC UNIT =		
8" SQ. TUBE STEEL COLUMN =	⊗	



"A" ELEVATION

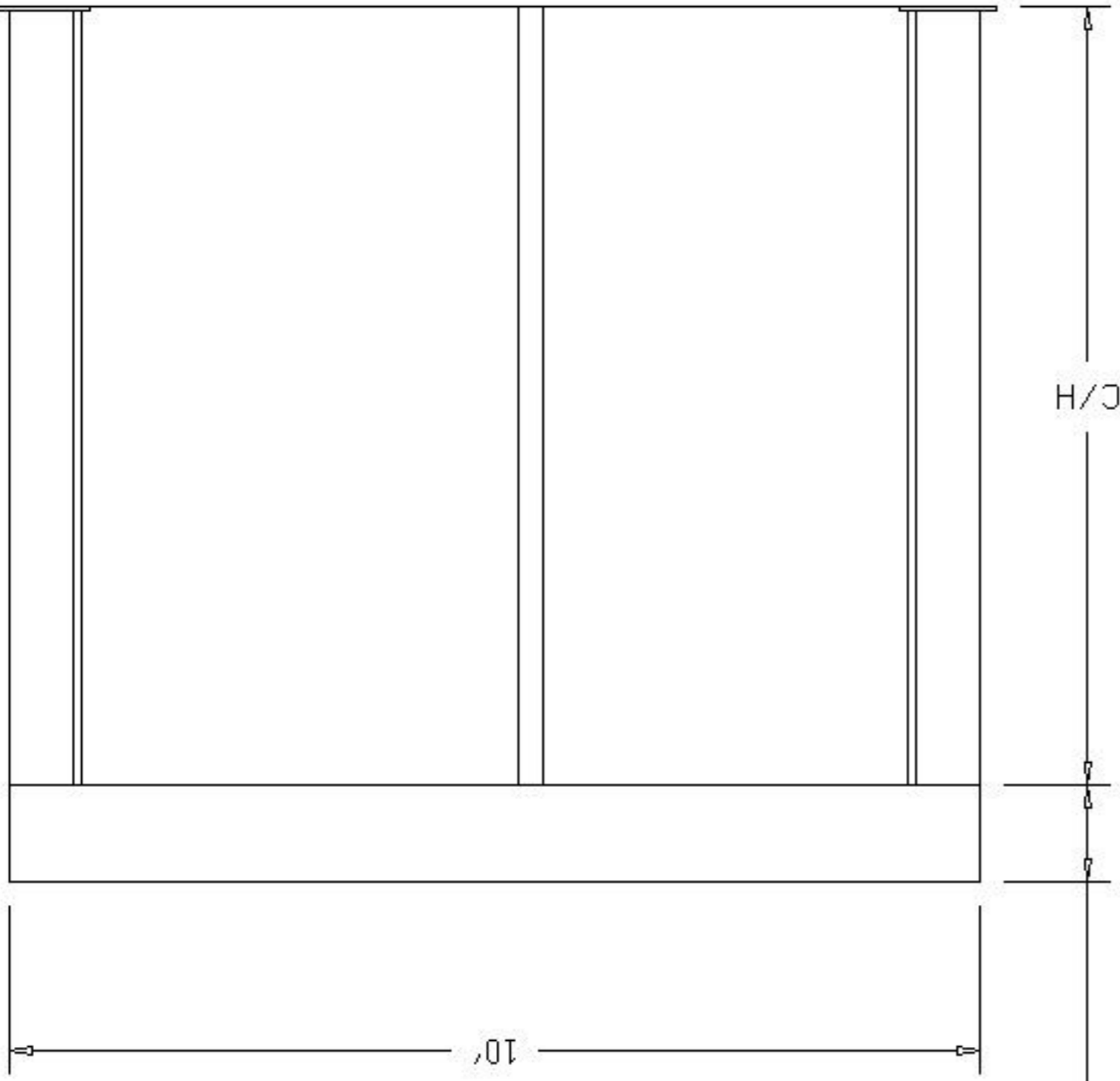


IP3-STM-10128

(STANDARD IS 8')  
SPECIFY CLEAR HEIGHT  
c/h




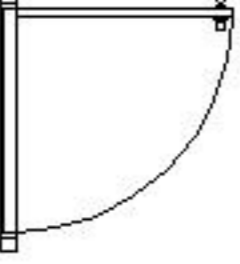
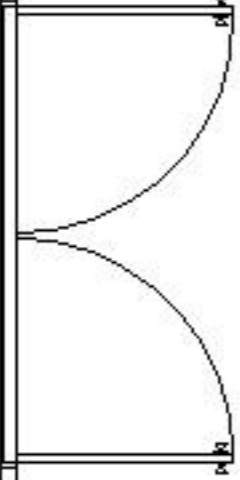

DIMENSION VARIES UPON SPAN LENGTH  
AND DECKING OPTIONS

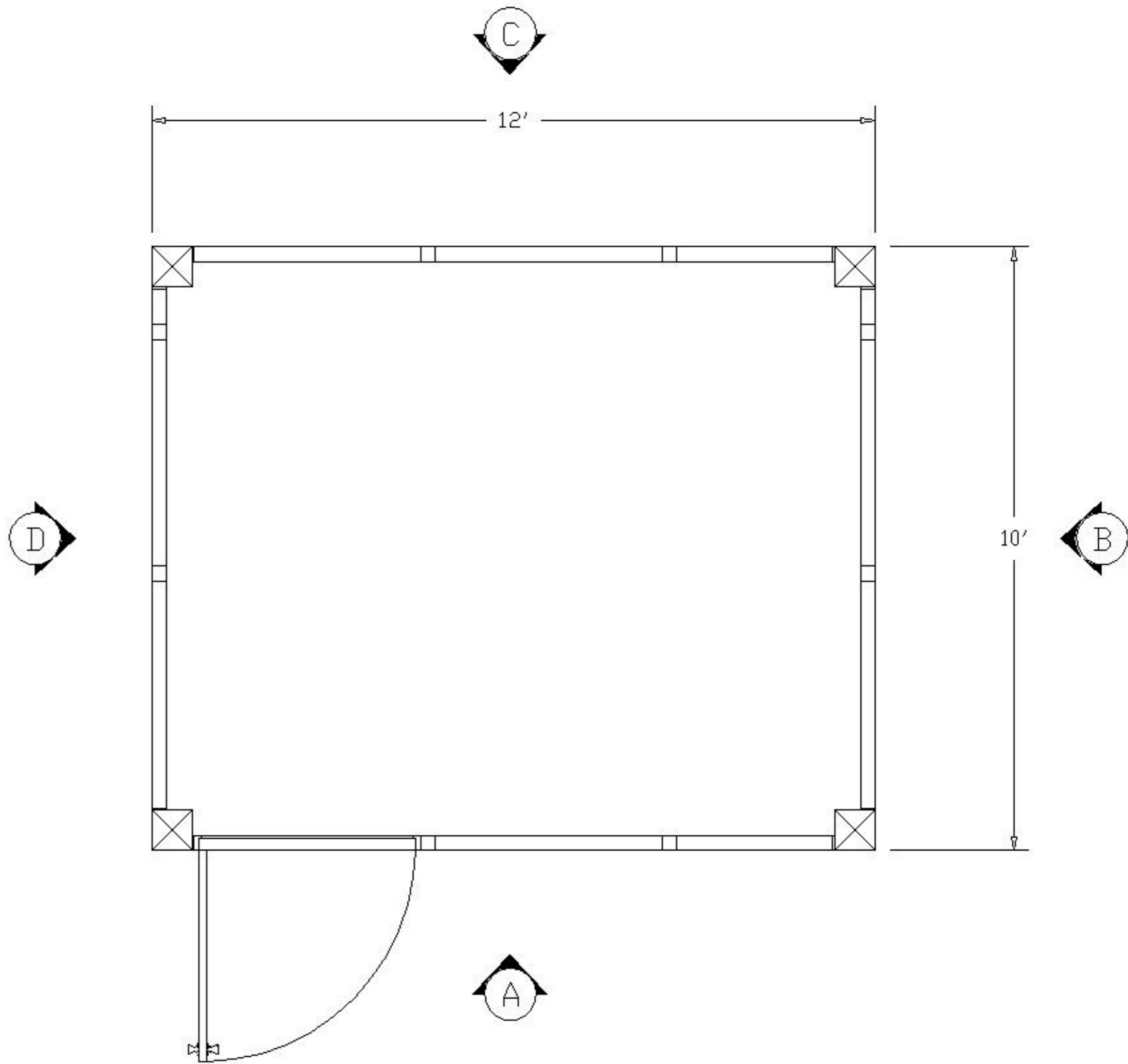
"B" ELEVATION



DIMENSION VARIES UPON SPAN LENGTH  
AND DECKING OPTIONS

PLEASE MARK DESIRED LOCATION OF OPTIONS  
 SHOWN IN LEGEND ON FLOOR PLAN  
 IP3-STM-10128

<u>DESCRIPTION</u>	<u>SYMBOL</u>	<u>DESIGNATION</u>
WINDOW PANEL =		W/P
SLIDING WINDOW PANEL =		SW/P
SOLID PANEL =		S/P
42" X 80" DOOR W/ 2' X 2' WINDOW =		D/L
DOUBLE DOOR W/ 2' X 2' WINDOW =		DD/L
8" SQ. TUBE STEEL COLUMN =		



PLEASE MARK DESIRED LOCATION OF OPTIONS  
 SHOWN IN LEGEND ON FLOOR PLAN  
 IP3-STM-10128

DESCRIPTION

SYMBOL

DESIGNATION

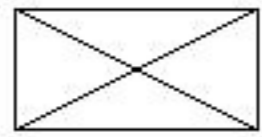
TYP. 2'X4'x5/8"  
 MINERAL BOARD =  
 CEILING TILE



=

C/T

TYP. 2' X 4'  
 LAY IN 4 TUBE =  
 LIGHT FIXTURE



=

L/F

8" SQ. TUBE  
 STEEL COLUMN =



=

