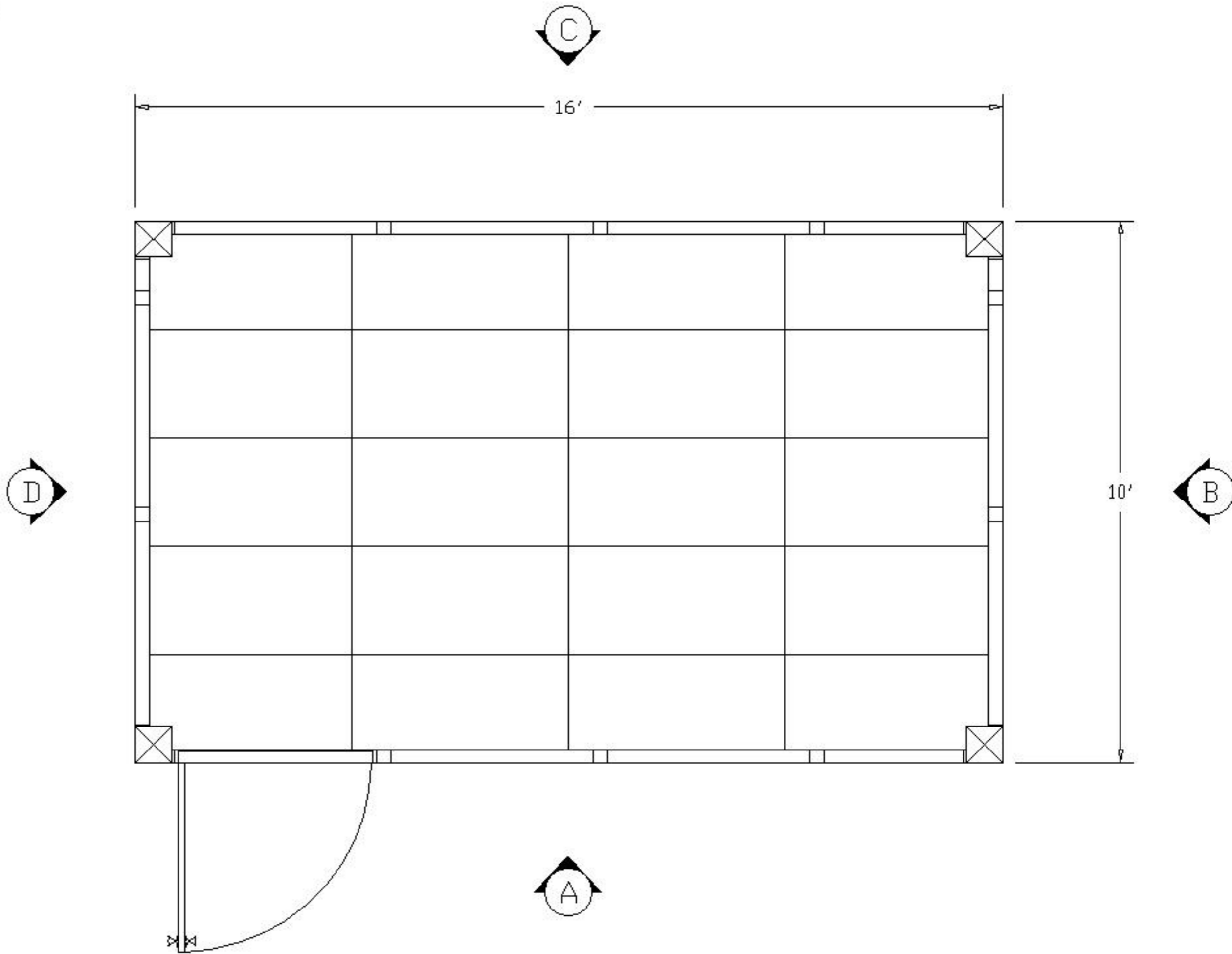
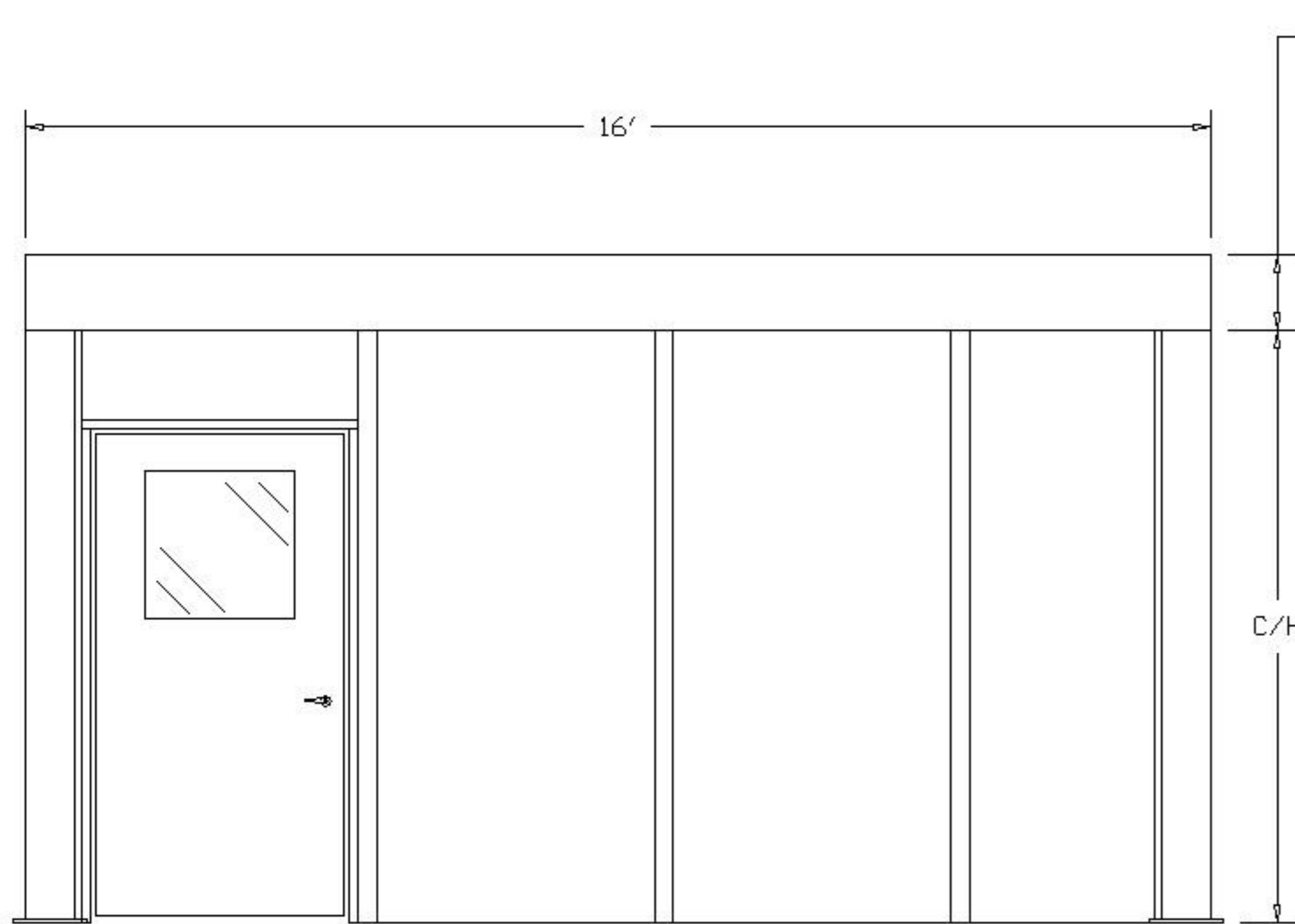


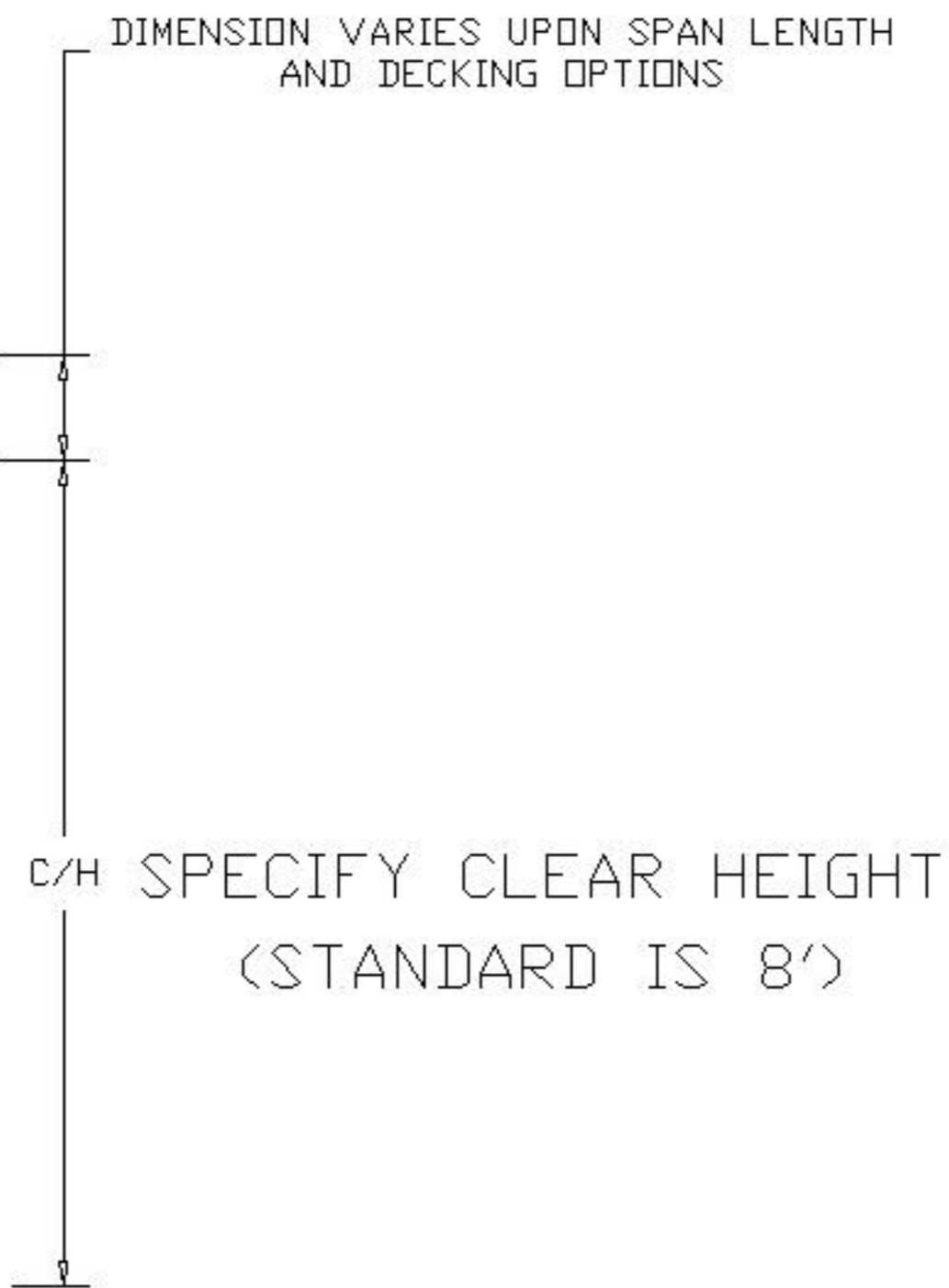
PLEASE MARK DESIRED LOCATION OF OPTIONS  
 SHOWN IN LEGEND ON FLOOR PLAN  
 IP3-STM-10168

<u>DESCRIPTION</u>	<u>SYMBOL</u>	<u>DESIGNATION</u>
208V OUTLET =		= $\Phi$
TYP. EMERGENCY FLOOD LIGHTS =		= E/L
120V DUPLEX OUTLET =		= $\Phi$
LIGHT SWITCH =		= \$
MAIN PANEL =		= PNL
TYP. 2' X 4' LAY IN 4 TUBE LIGHT FIXTURE =		= L/F
THRU WALL HVAC UNIT =		= HVAC
8" SQ. TUBE STEEL COLUMN =		=

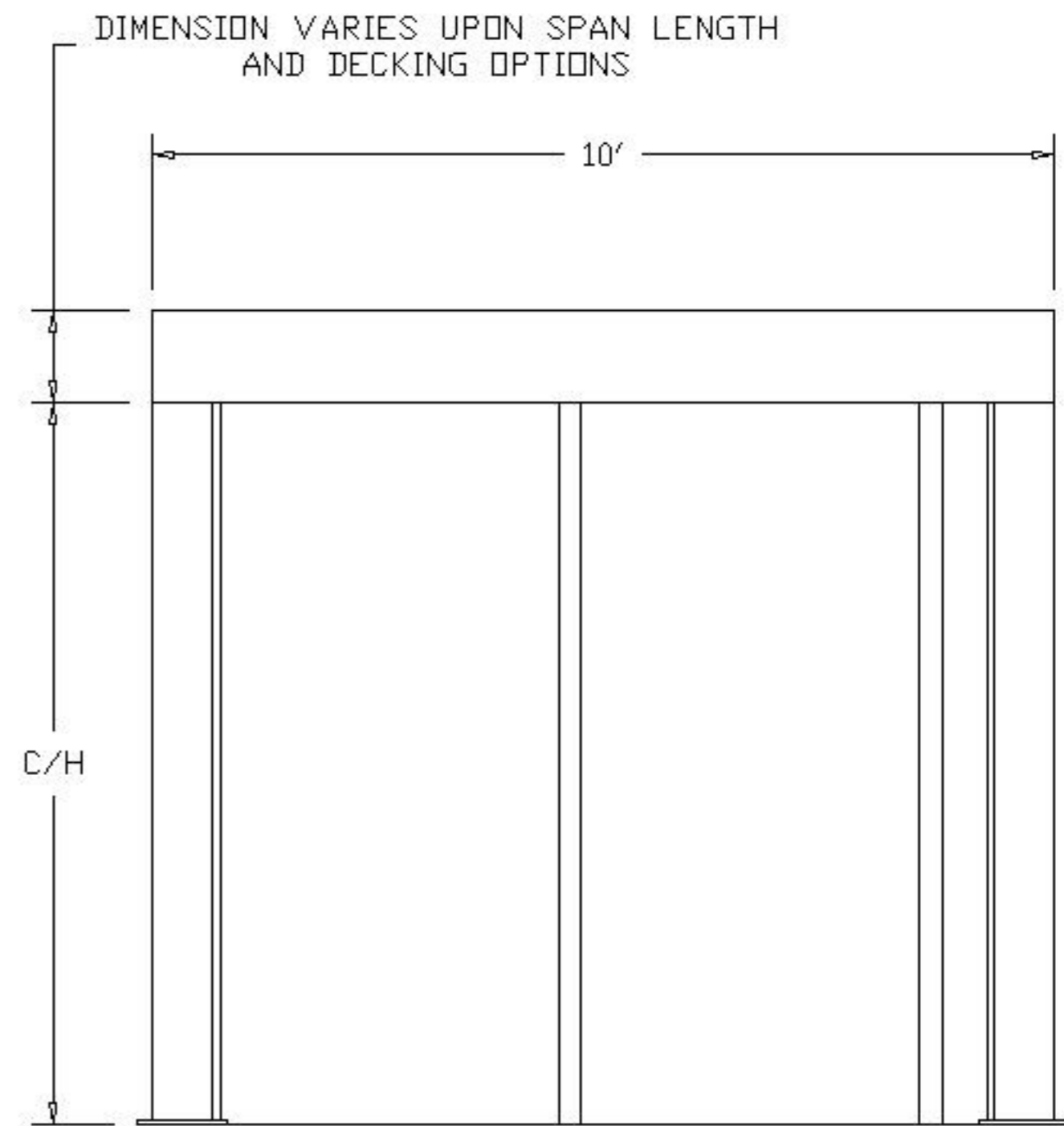




"A" ELEVATION




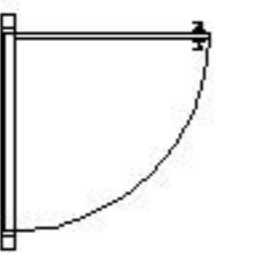
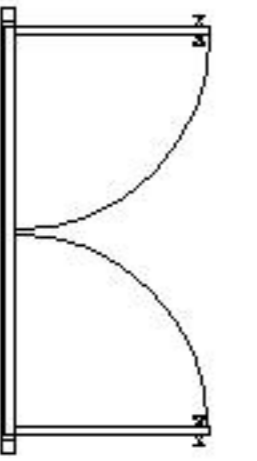



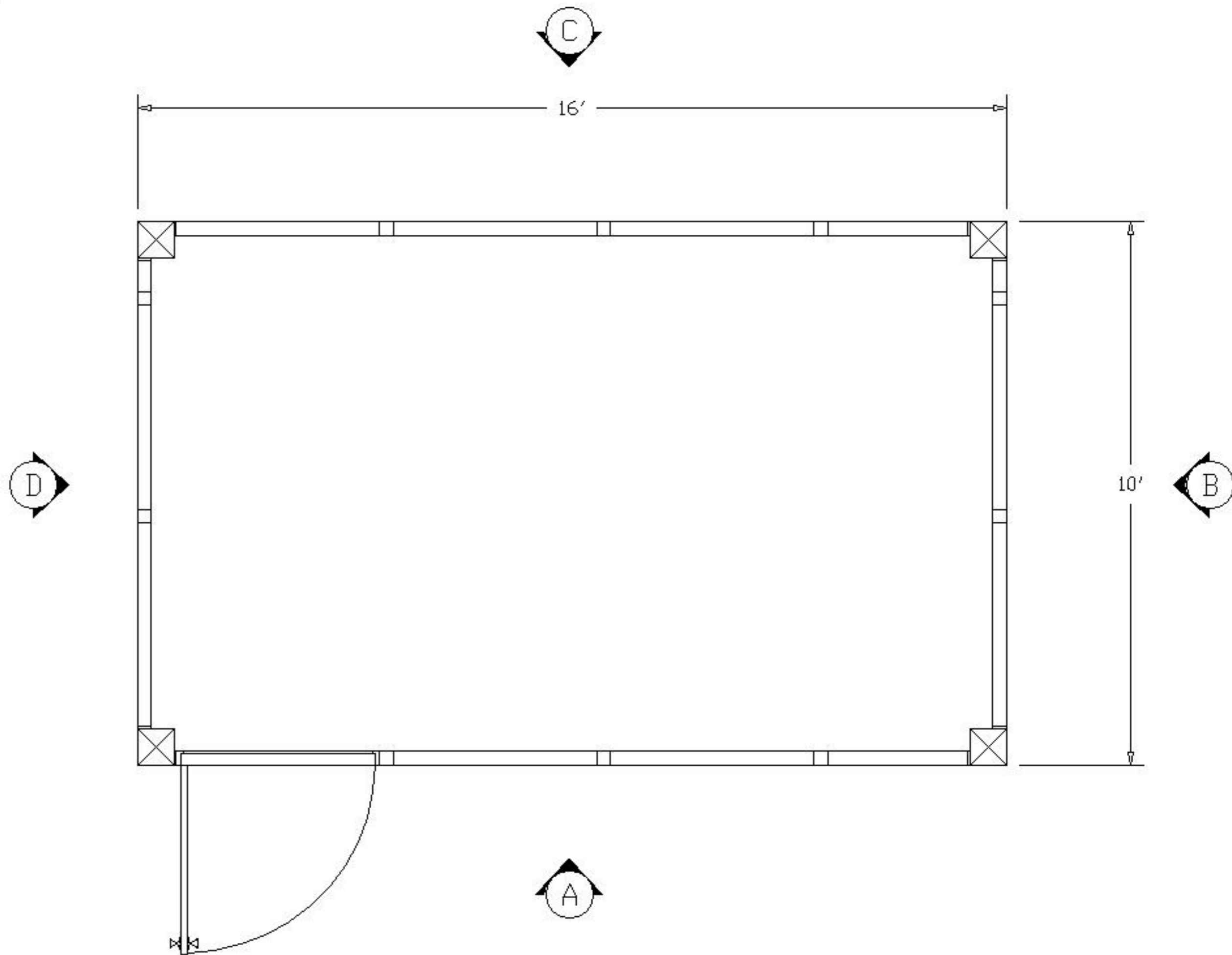
IP3-STM-10168



"B" ELEVATION

PLEASE MARK DESIRED LOCATION OF OPTIONS  
 SHOWN IN LEGEND ON FLOOR PLAN  
 IP3-STM-10168

<u>DESCRIPTION</u>	<u>SYMBOL</u>	<u>DESIGNATION</u>
WINDOW PANEL =		W/P
SLIDING WINDOW PANEL =		SW/P
SOLID PANEL =		S/P
42" X 80" DOOR W/ 2' X 2' WINDOW =		D/L
DOUBLE DOOR W/ 2' X 2' WINDOW =		DD/L
8" SQ. TUBE STEEL COLUMN =		



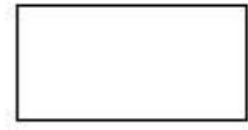
PLEASE MARK DESIRED LOCATION OF OPTIONS  
 SHOWN IN LEGEND ON FLOOR PLAN  
 IP3-STM-10168

DESCRIPTION

SYMBOL

DESIGNATION

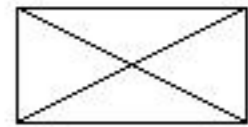
TYP. 2'X4'x5/8"  
 MINERAL BOARD =  
 CEILING TILE



=

C/T

TYP. 2' X 4'  
 LAY IN 4 TUBE =  
 LIGHT FIXTURE



=

L/F

8" SQ. TUBE  
 STEEL COLUMN =



=

