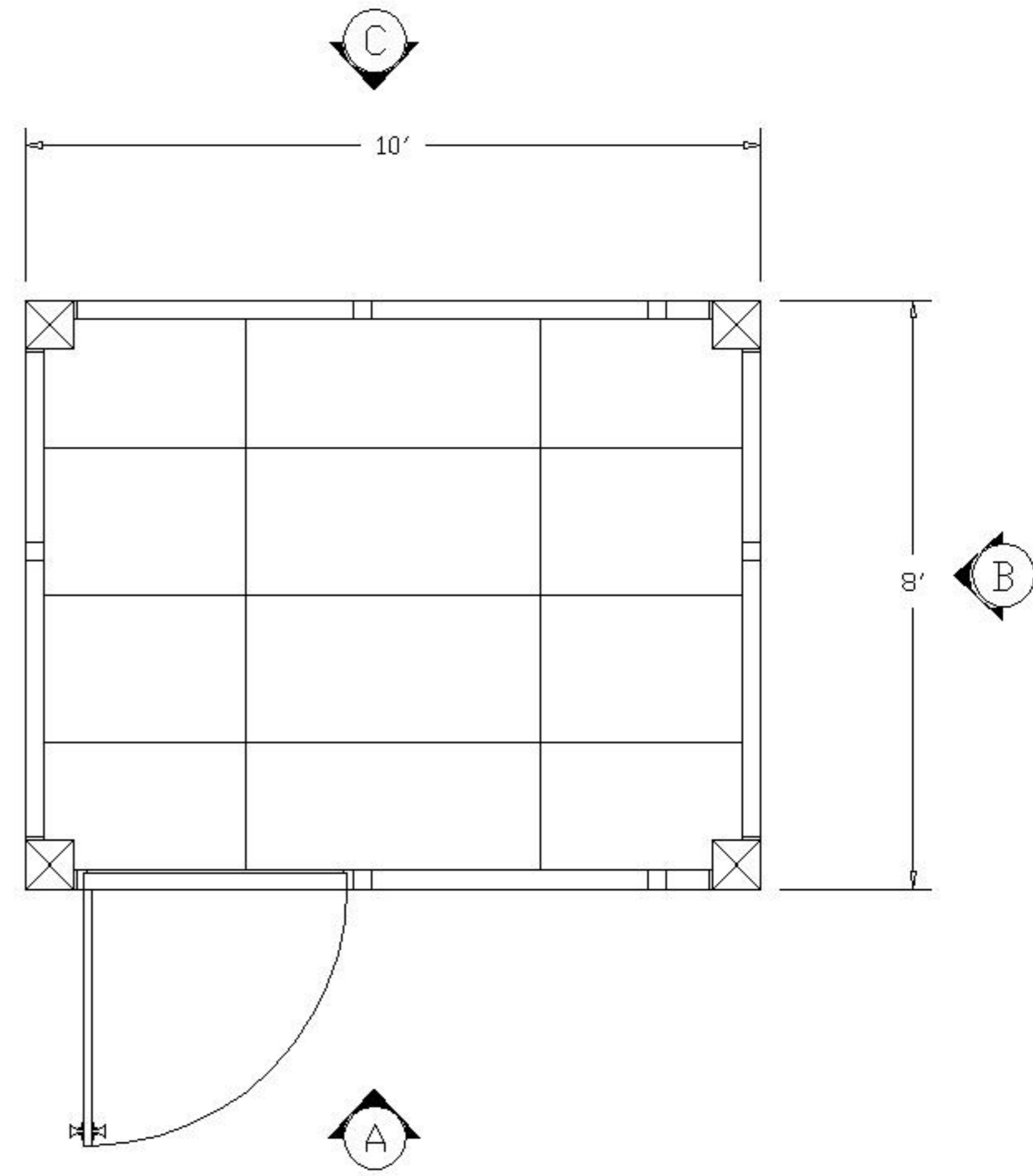
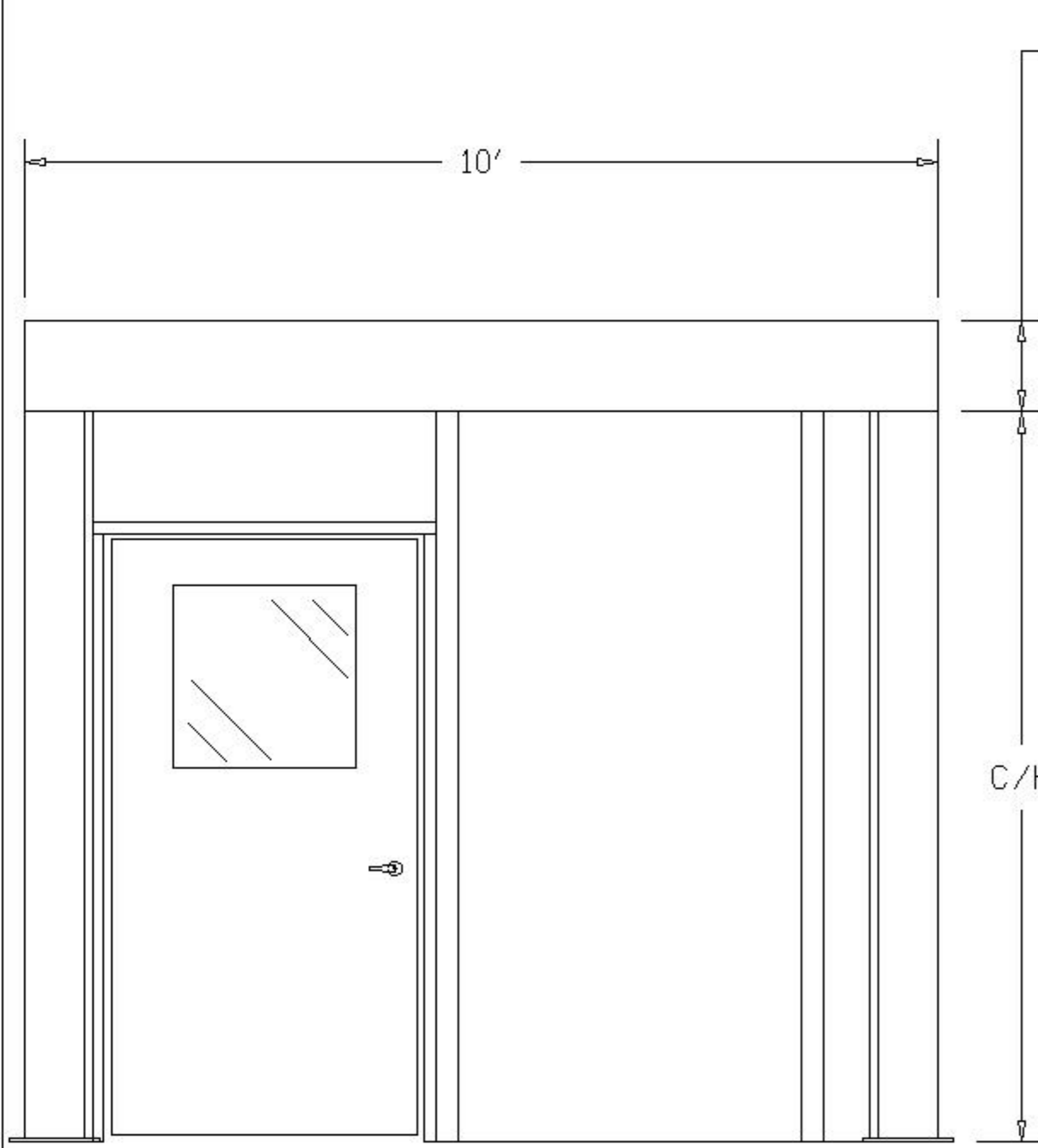


PLEASE MARK DESIRED LOCATION OF OPTIONS
 SHOWN IN LEGEND ON FLOOR PLAN
 IP3-STM-8108

<u>DESCRIPTION</u>	<u>SYMBOL</u>	<u>DESIGNATION</u>
208V OUTLET =	⊕	⊕
TYP. EMERGENCY FLOOD LIGHTS =	☰	E/L
120V DUPLEX OUTLET =	⊖	⊖
LIGHT SWITCH =	\$	\$
MAIN PANEL =	PNL	PNL
TYP. 2' X 4' LAY IN 4 TUBE LIGHT FIXTURE =	⊠	L/F
THRU WALL HVAC UNIT =	HVAC	HVAC
8" SQ. TUBE STEEL COLUMN =	⊗	



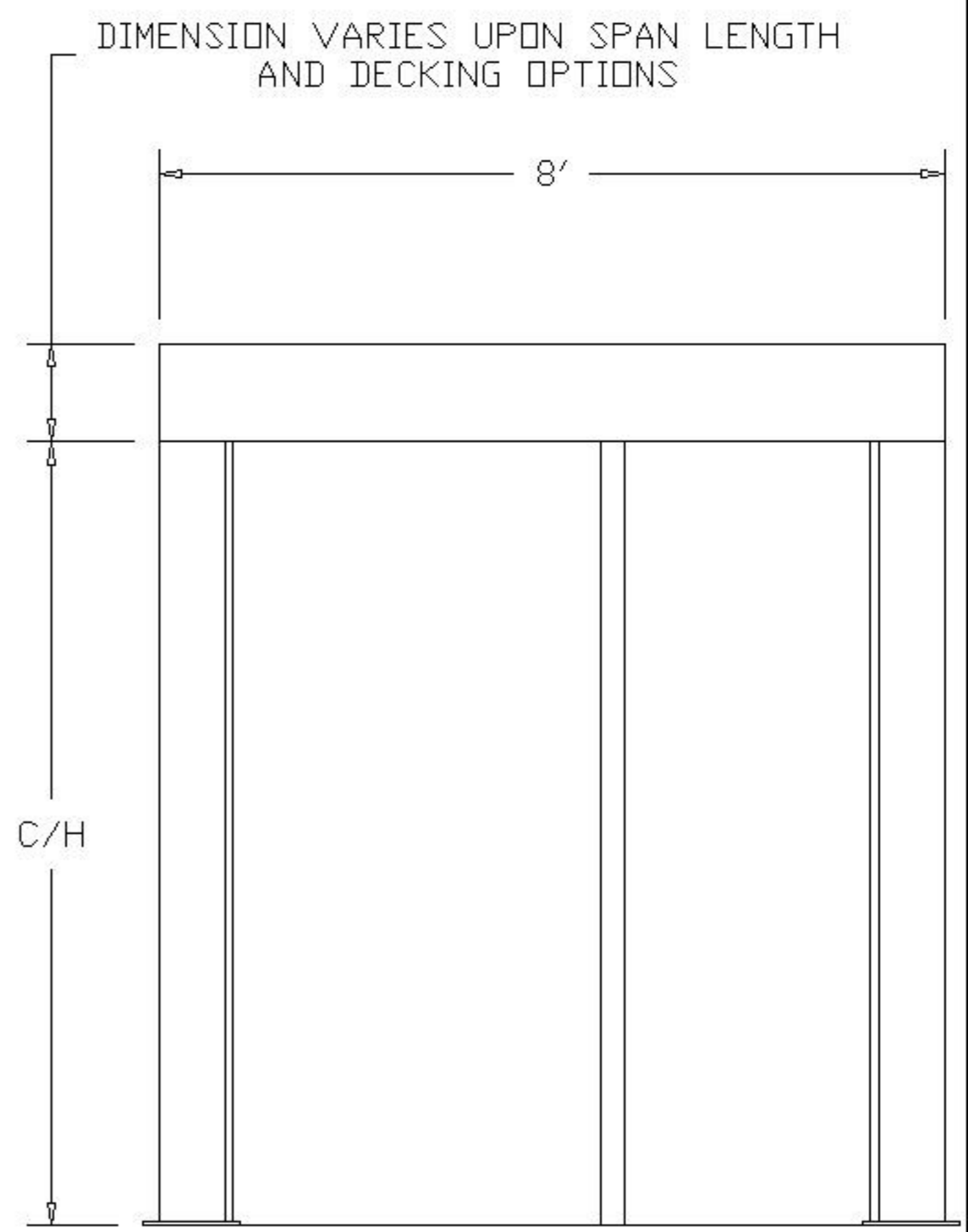


"A" ELEVATION

DIMENSION VARIES UPON SPAN LENGTH
AND DECKING OPTIONS

C/H SPECIFY CLEAR HEIGHT
(STANDARD IS 8')




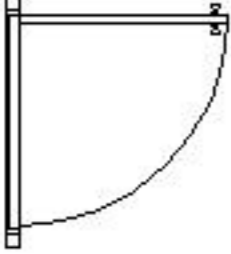
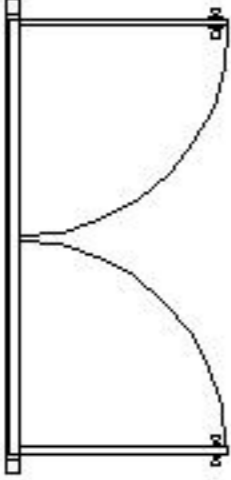

IP3-STM-8108

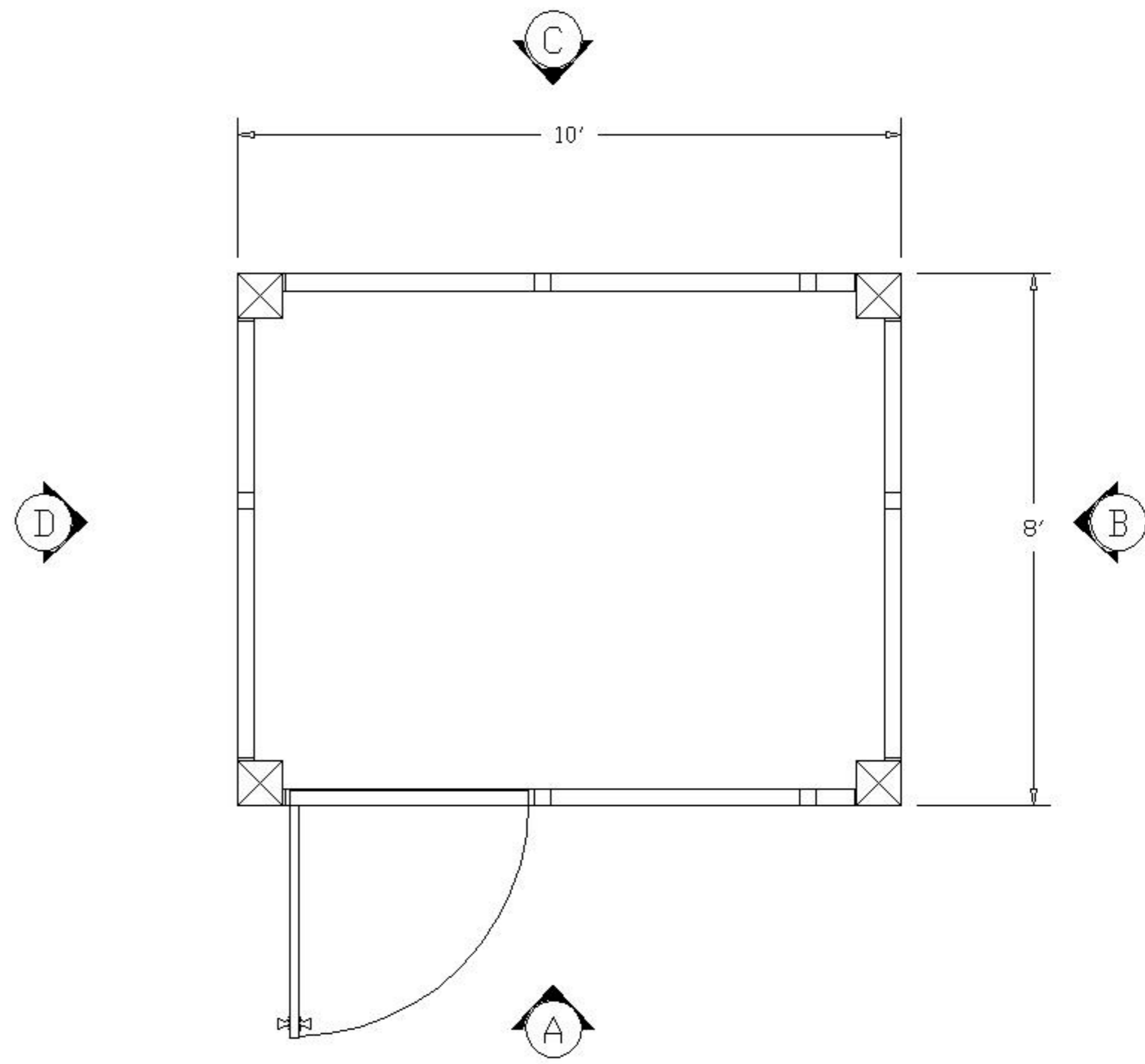


"B" ELEVATION


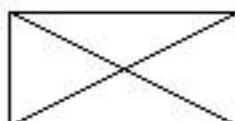
DIMENSION VARIES UPON SPAN LENGTH
AND DECKING OPTIONS

PLEASE MARK DESIRED LOCATION OF OPTIONS
 SHOWN IN LEGEND ON FLOOR PLAN
 IP3-STM-8108

<u>DESCRIPTION</u>	<u>SYMBOL</u>	<u>DESIGNATION</u>
WINDOW PANEL =		= W/P
SLIDING WINDOW PANEL =		= SW/P
SOLID PANEL =		= S/P
42" X 80" DOOR W/ 2' X 2' WINDOW =		= D/L
DOUBLE DOOR W/ 2' X 2' WINDOW =		= DD/L
8" SQ. TUBE STEEL COLUMN =		



PLEASE MARK DESIRED LOCATION OF OPTIONS
 SHOWN IN LEGEND ON FLOOR PLAN
 IP3-STM-8108

<u>DESCRIPTION</u>	<u>SYMBOL</u>	<u>DESIGNATION</u>
TYP. 2'X4'x5/8" MINERAL BOARD = CEILING TILE		= C/T
TYP. 2' X 4' LAY IN 4 TUBE LIGHT FIXTURE		= L/F
8" SQ. TUBE STEEL COLUMN =	