



ABTECH STANDARD
PASS THRU:

SHOWN WITH CLEAR
ACRYLIC DOOR,
ALUMINUM HANDLES,
PIANO HINGES,
MANUAL INTERLOCK,
AND TENSION CATCHES

PASS THRU OPTIONS:

- Stainless steel inner liner with white laminate outside surfaces
- All stainless steel construction
- All steel construction with white powdercoat finish
- Mounting Frame, white painted
- Mounting Frame, stainless steel
- Support Gussets
- Double Doors
- Internal Shelving
- HEPA Filtered

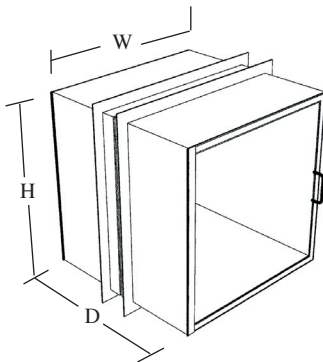
Abtech Pass Thru Cabinets help control contaminants entering the Cleanroom during pickup and delivery of product or supplies. Delivery personnel and contaminants remain outside the Cleanroom; yield and productivity is thereby increased because personnel remain clean and on the job. Pass Thru Cabinets are available in white laminate construction as well as cold-rolled steel, stainless steel, polypropylene and other materials. Standard units feature interlocking acrylic doors with smoke seal gasket to protect your Cleanroom envelope. All inside and outside surfaces are featured with 3/4" high density particle board core for widths up to 28". All lengths over 30" are 1" core.

Doors are 1/2" clear acrylic with aluminum handles, full length piano hinge, manual interlock, tension catch and are gasketed for positive seal. Doors provide easy access and complete visibility.

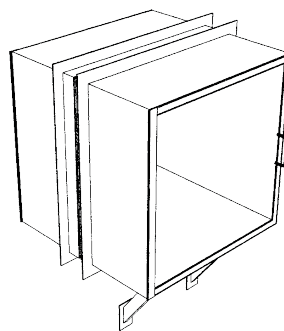
NOTE: When ordering Pass Thrus, add approximately 4" to the depth dimension to include doors and handles. Hole rough cut in wall should be 1/8"-1/4" larger than O.D. of the Pass Thru. All Pass Thru Cabinets are shipped in a wooden crate.

Standard White Laminate on all
inside and outside surfaces

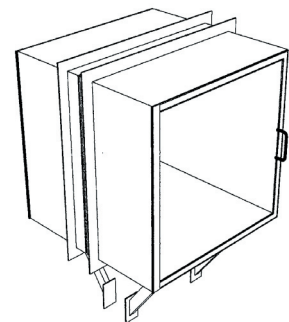
Model #	Exterior Dimensions			Model #	Exterior Dimensions		
	H	W	D		H	W	D
	12"	12"	12"	APT1212SS	12"	12"	12"
	12"	18"	12"	APT1412SS	12"	14"	12"
	18"	20"	18"	APT1612SS	12"	16"	12"
	12"	16"	12"	APT1812SS	12"	18"	12"
	18"	18"	18"	APT1818SS	18"	18"	18"
	12"	14"	12"	APT2018SS	18"	20"	18"
	24"	28"	24"	APT2418SS	18"	24"	18"
	24"	24"	24"	APT2818SS	18"	28"	18"
	18"	24"	18"	APT2424SS	24"	24"	24"
	18"	28"	18"	APT2824SS	24"	28"	24"
	24"	30"	24"	APT3024SS	24"	30"	24"
	24"	36"	24"	APT3624SS	24"	36"	24"



Shown with optional
mounting trim



Shown with brackets for
offset mount



Shown with brackets
for center mount