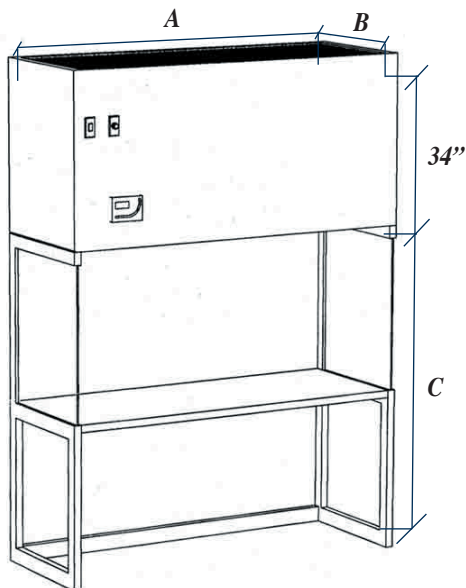




## APPLICATIONS:

Vertical Laminar Flow Benches can be used for many different applications that require a controlled, clean environment at the bench top level. These Benches are free standing and self contained with optional isolated table work surface. Benches can be used in situations where it is not feasible or cost effective to build a cleanroom. In many cases, it would be advantageous to use Clean Benches to establish class 100 clean zones rather than build or upgrade a cleanroom.



## CONSTRUCTION:

**Frame:** 16 gauge Cold Rolled Steel with Gloss White painted Enamel finish.

**Cabinet:** White HPL laminated High Density Particle-board.

**Side Panels:** Removable clear Acrylic Plastic.

**Work Surface:** White High Pressure Laminate.

**Blower and Motor:** Energy efficient and engineered for acoustics Rated at twice the initial static-pressure to maintain the required 100 feet per minute. Includes Speed Control switch.

**Prefilters:** 30% efficiency, one inch thick, Pleated type, with access from top of unit.

**Final filters:** Hepa type 99.99% efficiency on all particles 0.3 Microns and larger in Aluminum frames with access from back.

**Lighting:** Fluorescent with minimum 125 F.C. at surface.

**Electrical:** Standard 115 volts. [230v and 460v 3ph available]

**Options:** Antistatic materials, Stainless Steel work surface, Magnahelic gauges, .12 Micron ULPA Filters, Isolated work surface.

Specifications are subject to change without notice.

Model Number	Dimensions			Approx. wt. lbs.
	A	B	C	
VZL-5024	61"	28"	61"	475
VZL-5030	61"	34"	61"	500
VZL-5036	61"	40"	61"	575
VZL-5048	61"	54"	61"	800
VZL-6024	73"	28"	65"	575
VZL-6030	73"	34"	65"	725
VZL-8030	85"	34"	72"	975
VZL-8036	85"	40"	72"	1175
VZL-8048	85"	54"	72"	1350

[custom sizes available on request]